

# Sundance Spas 880 Aspen®

## Specifications

<b>Dimensions:</b>	90" x 110" x 41.5" (229 cm x 279.4 cm x 105.41 cm)
<b>Seating Capacity:</b>	7-8 Adults
<b>Dry Weight:</b>	1,240 lbs (562 kg)
<b>Filled Weight (Spa Volume):</b>	7,036 lbs (3,192 kg)
<b>Filled Weight (Average Fill):</b>	5,577 lbs (2,530 kg)
<b>Water Capacity (Spa Volume):</b>	695 US Gal (2,631 Liters)
<b>Water Capacity (Average Fill):</b>	520 US Gal (1,968 Liters)
<b>Controls:</b>	880 Touch Interface LCD Control, Displays Temperature, Time, Cycles and Jet/Air System Control. Offers Customizing of Filtration Cycles, Lighting, Water Temperature Setting and other features
<b>Water Delivery:</b>	3 TheraMax High-Flow Pumps and 8-Hour Dynamic Flow Circulation System
<b>Pump 1:</b>	North America (60 Hz): 1-Speed/2.5 HP Continuous, 11.3A Max., 56 Frame <b>Export (50 Hz): 1-Speed/2.0 HP Continuous, 7A Max.</b>
<b>Pump 2:</b>	North America (60 Hz): 1-Speed/2.5 HP Continuous, 11.3A Max., 56 Frame <b>Export (50 Hz): 1-Speed/2.0 HP Continuous, 7A Max.</b>
<b>Pump 3:</b>	North America (60 Hz): 1-Speed/2.5 HP Continuous, 11.3A Max., 56 Frame <b>Export (50 Hz): 1-Speed/2.0 HP Continuous, 7A Max.</b>
<b>Pump 4:</b>	High-Output Dynamic Flow, 8-Hour Filter/Circulation Pump (67 gpm) Programmable for Daily Start Time and Duration
<b>Total Hydrojets:</b>	<b>66</b>
<b>Seat A Jets:</b>	2 Fluidix Nex, 8 Fluidix Reflex
<b>Seat B Jets:</b>	2 Fluidix Reflex, 1 Fluidix Intelli-Jet
<b>Seat C Jets:</b>	1 Fluidix Intelli-Jet
<b>Seat D Jets:</b>	2 Fluidix Nex, 12 Fluidix ST, 2 Pulsator, 2 Accu-Pressure, 1 Whirlpool (sidewall)
<b>Seat E Jets:</b>	2 Fluidix Reflex
<b>Seat F Jets:</b>	2 Fluidix Nex, 2 Fluidix Reflex, 2 Fluidix Intelli-Jet, 2 Pulsator, 4 Accu-Pressure
<b>Seat G Jets:</b>	2 Fluidix Nex, 2 Vortex, 2 Fluidix Intelli-Jet, 4 Accu-Pressure, 1 Whirlpool (sidewall)
<b>Footwell Jets (H):</b>	8 Accu-Pressure
<b>Air Blower:</b>	High-efficiency, 1-Speed
<b>Aromatherapy Delivery:</b>	14 Silent Air® Injector Jets with Quiet High Speed Air Pump
<b>Air Controls/Massage Selectors:</b>	8/2 (Standard air control with LED lights and massage selector with LED lights)
<b>Filter:</b>	MicroClean® Ultra Filtration System, 130 ft <sup>2</sup> (2 interlocking cartridge filters)
<b>Water Treatment:</b>	Automatic Brominator and Dynamic Flow Circulation System; Factory installed CLEARRAY® Water Purification System
<b>Lighting:</b>	Multicolored Sunglow LED Lighting System (2 Waterfall, 2 Footwell, 8 Air controls, 2 Massage Selectors, 2 Backlit handrails, and optional [factory installed] Exterior lights)
<b>Synthetic Cabinet:</b>	Available in Coastal, Mahogany, Autumn Walnut and White Oak
<b>Shell Colors:</b>	Platinum, Sahara, Copper Sand, Celestite (Gypsum), Monaco
<b>Handrails:</b>	Two High Quality Stainless Steel with backlit LED lighting
<b>ComfortTone Headrests:</b>	Four 2-Part/2-Tone Gray
<b>Heater:</b>	Low Flow 5.5 kW With Titanium Element <b>Export (50 Hz): Low Flow 5.5 kW with Titanium Element</b>
<b>Electrical Requirements:</b>	North America (60 Hz): 240 VAC@50A or 60A; <b>Export (50 Hz): 230-240 VAC@1x40A, 2x25A, 1x25A/1x32A (see manual for more configurations); or Suitable Rated Circuit Breaker To Comply With Local Electrical Regulations. Certain Countries May Require 2 Power Inputs; Two GFCI/RCD Breakers are Required For This Configuration.</b>
<b>Limited Warranty*:</b>	North America (60 Hz): 10 Years Shell, 7 Years Shell Surface, 5 Years Plumbing Component Leaks, 5 Years Equipment and Controls, 5 Years Cabinet, 5 Years Jets, 2 Years Lights, 1 Year Stereo <b>Export (50 Hz): 10 Years Shell, 7 Years Shell Surface, 2 Years Plumbing Component Leaks, 2 Years Equipment and Controls, 2 Years Cabinet, 2 Years Jets, 2 Years Lights, 2 Years Stereo</b>
<b>Waterfall Feature:</b>	Adjustable Flow Rate; Colored Lighting
<b>Audio System (Optional):</b>	Factory Installed BLUEWAVE® 2.0 Wireless Spa Stereo System with Auxiliary 3.5 mm headphone jack connection, Bluetooth® compatible, 4 premium speakers and a powered subwoofer
<b>Special Features:</b>	Optional (Factory Installed) SmartTub™ module (North American only)

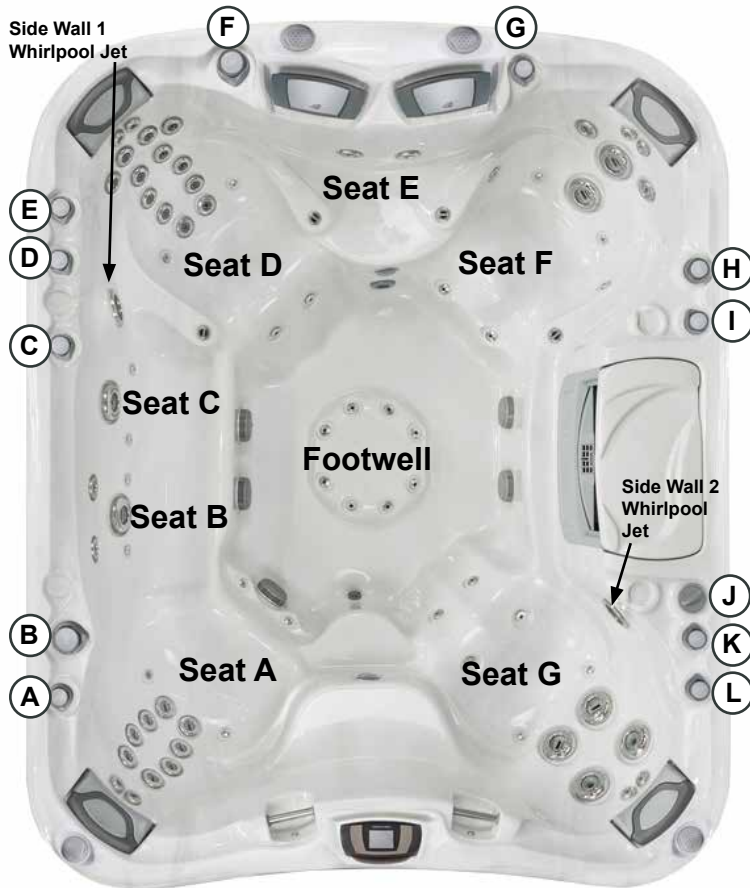


\*(See Warranty Document for Specific Details)

Dimensions/Specifications Subject To Change Without Notice

# Sundance Spas 880 Aspen

## Operation/Seat Depths



- (A)** Air Control - Activates Seat A Jets (2 Fluidix Nex, 8 Fluidix Reflex), Seat B Jets ( 2 Fluidix Reflex, 1 Fluidix Intelli-Jet) and Seat C Jet (1 Fluidix Intelli-Jet)
- (B)** Massage Selector [Pump 1] - Adjusts Massage Level Between Seat A Jets + Seat B Jets + Seat C Jets and both Side Wall Whirlpool Jets
- (C)** Air Control - Activates Side Wall 1 Whirlpool Jet
- (D)** Air Control - Activates Lower Seat D Jets (6 Fluidix-ST, 2 Pulsators, 2 Accu-Pressure)
- (E)** Air Control - Activates Upper Seat D Jets (2 Fluidix Nex, 6 Fluidix-ST)
- (F)** Massage Selector [Pump 2] - Adjusts Massage Level Between Seat D Jets and Seat G Jets
- (G)** Air Control - Activates Seat E (2 Fluidix Reflex) + Seat F Jets (2 Fluidix Nex, 2 Fluidix Reflex, 2 Fluidix Intelli-Jets, 2 Pulsators, 4 Accu-Pressure)
- (H)** Waterfall Selector [8-Hour Circ. Pump] - Controls Waterfall Output
- (I)** Air Control - Activates Center Footwell Jets (8 Accu-Pressure)
- (J)** SunScents Dispenser
- (K)** Air Control - Activates Side Wall 2 Whirlpool Jet
- (L)** Air Control - Activates Seat G Jets (2 Fluidix Nex, 2 Vortex, 2 Fluidix Intelli-Jet, 4 Accu-Pressure)

### 66 Total Jets



Accu-Pressure Jets (18)



Pulsator Jets (4)



Fluidix Nex Jets (8)



Fluidix-ST Jets (12)



Fluidix Reflex Jets (14)



Fluidix Intelli-Jet (6)



Vortex Jets (2)



Whirlpool Jets (2)

- Jets Pump 3: Seat E Jets, Seat F Jets and Footwell Jets are always on when this pump is running

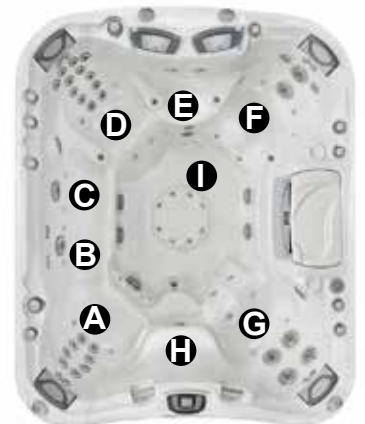
Spa Operation Subject To Change Without Notice

## SEAT DEPTHS

**A = 26.50" (67.31 cm)**  
**B = 26.00" (66.04 cm)**  
**C = 26.00" (66.04 cm)**  
**D = 27.63" (70.15 cm)**  
**E = 21.38" (54.31 cm)**  
**F = 26.50" (67.31 cm)**

**G = 25.75" (65.41 cm)**  
**H = 16.38" (41.61 cm)**  
**I = 36.00" (91.44 cm)**

Listed dimensions represent distance from top of acrylic to lowest point in seat. **Tolerance ± 0.5" (1.27 cm).**

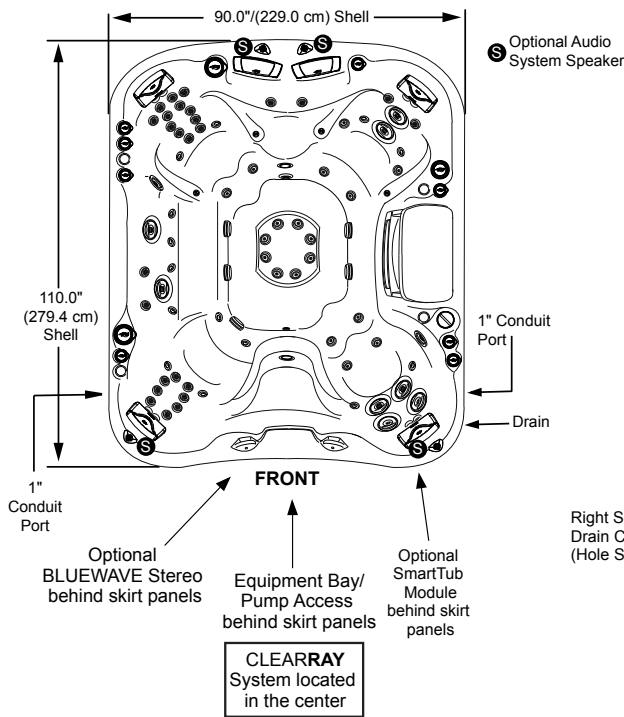


Dimensions/Specifications Subject To Change Without Notice

# Sundance Spas 880 Aspen

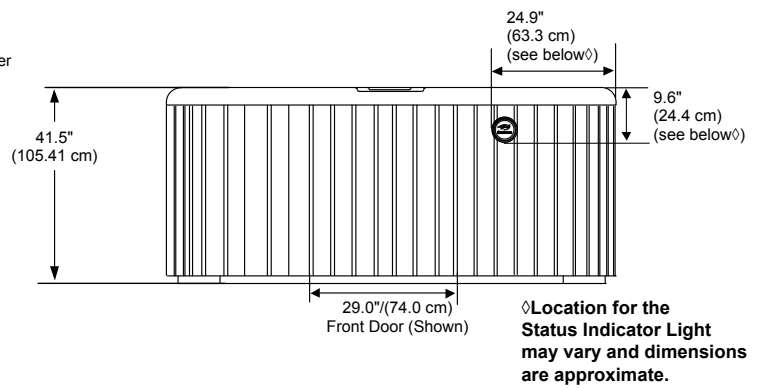
## Portable Dimensions

TOP VIEW



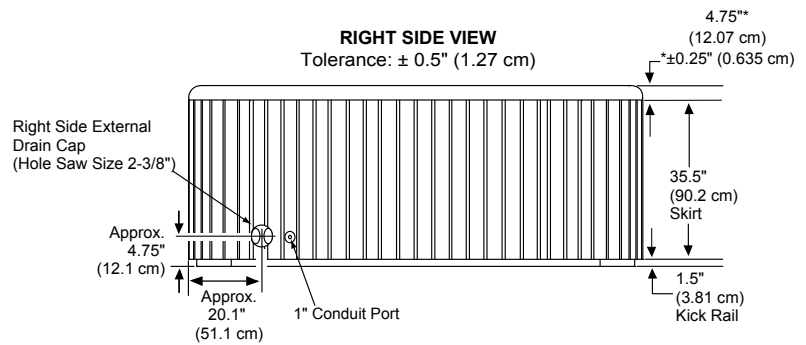
FRONT/BACK VIEW

Tolerance:  $\pm 0.5"$  (1.27 cm)

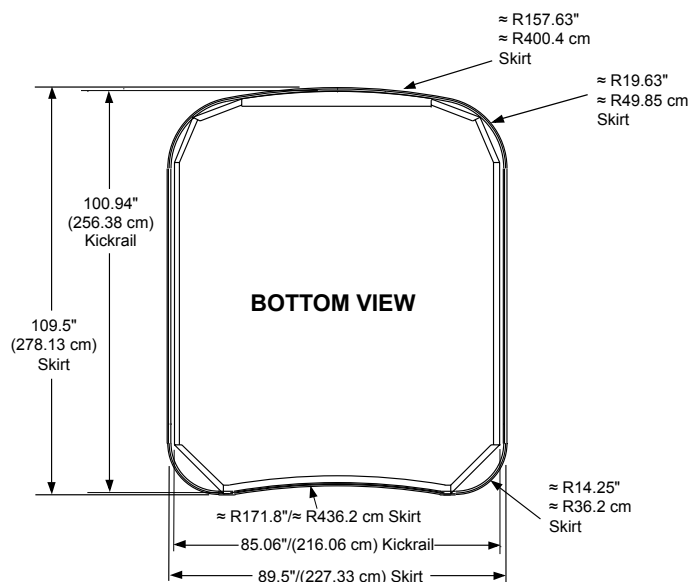


RIGHT SIDE VIEW

Tolerance:  $\pm 0.5"$  (1.27 cm)



**IMPORTANT! Always measure each hot tub for exact dimensions BEFORE designing its foundational support and/or decking.**



Dimensions/specifications subject to change without notice. Tolerance:  $\pm 0.5"$  (1.27 cm)

Dimensions/Specifications Subject To Change Without Notice

Denne modellen kan kobles med 1-fas 230V C-sikring (treg) og 3-fas (400 volt TN-nett - se egne linjer)

**880-serien:**

<b>Aspen:</b> For å få mest glede av badet anbefaler vi høyeste mulige kurs.				
	<b>Type varmeelement</b>	<b>Alternativ tilkobling</b>	<b>Funksjon</b>	<b>Kretskortinnstillinger</b>
Aspen	5,5kW	3-fas (400 volt TN-nett) 25 amp	Varmeelementet, 3 massasjepumper og luftpumpen kan driftes samtidig.	Se brukermanual.
Aspen	5,5 kW	25 + 32 amp	Varmeelementet, 3 massasjepumper og luftpumpen kan driftes samtidig.	Se brukermanual.
Aspen	5,5kW	25 + 25 amp	Varmeelementet og 3 massasjepumper kan driftes samtidig. Eventuelt varmeelementet, 2 massasjepumper og luftpumpen.	Se brukermanual.
Aspen	5,5 kW	40 amp eller 20 + 25 amp	Varmeelement og 2 massasjepumper driftes samtidig. Eventuelt varmeelementet, 1 massasjepumpe og luftpumpen.	Se brukermanual.
Aspen	5,5 kW	32 amp	Varmeelementet slår seg av når massasjepumpene eller luftpumpen startes. 3 massasjepumper og luftpumpen kan driftes samtidig.	Se brukermanual.
Aspen	5,5 kW	25 amp	Varmeelementet slår seg av når massasjepumpene eller luftpumpen strates. 3	Se brukermanual.