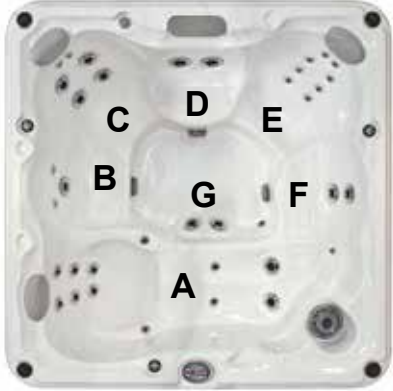


# 2016 Sundance Spas 680 Peyton®

## Specifications

<b>Dimensions:</b> .....	84" x 84" x 36" (213.5 cm x 213.5 cm x 91.44 cm)	
<b>Seating Capacity:</b> .....	6 Adults	
<b>Dry Weight:</b> .....	846 lbs (384 kg)	
<b>Filled Weight (Spa Volume):</b> .....	4,682 lbs (2,124 kg)	
<b>Filled Weight (Average Fill):</b> .....	3,682 lbs (1,670 kg)	
<b>Water Capacity (Spa Volume):</b> .....	460 US Gal (1,741 Liters)	
<b>Water Capacity (Average Fill):</b> .....	340 US Gal (1,287 Liters)	
<b>Controls:</b> .....	Solid-State Electronic Controls with LED Readout, Programmable Water Temperature, Filtration, and Heat Cycles	
<b>Water Delivery:</b> .....	2 High-Flow Pump	
<b>Pump 1:</b> .....	North America (60 Hz): 2-Speed/2.5 HP Continuous, 11.0A Max., 56 Frame <b>Export (50 Hz): 2-Speed/2.0 HP continuous, 8.0A max.</b>	
<b>Pump 2:</b> .....	North America (60 Hz): 1-Speed/2.5 HP Continuous, 10A max., 56 Frame <b>Export (50 Hz): 1-Speed/2.0 HP continuous, 8.0A max.</b>	
<b>Total Hydrojets:</b> .....	<b>35</b>	
<b>Seat A Jets:</b> .....	4 DV, 2 DVX, 6 DXL	
<b>Seat B Jets:</b> .....	2 DL, 1 DVX	
<b>Seat C Jets:</b> .....	2 DX, 4 DVR	
<b>Seat D Jets:</b> .....	2 DXT	
<b>Seat E Jets:</b> .....	2 DX, 6 DL	
<b>Seat F Jets:</b> .....	2 DVX	
<b>Foot Well Jets (G):</b> .....	2 DVX	
<b>Air Controls/Massage Selectors:</b> .....	3 Air Control; No Massage Selector	
<b>Filter:</b> .....	50 ft <sup>2</sup> Filter Cartridge System	
<b>Water Treatment:</b> .....	Factory installed CLEARRAY® Water Purification System	
<b>Lighting:</b> .....	CL LED Lighting System (Interior Surround and Waterfall)	
<b>Synthetic Cabinet:</b> .....	Available in Coastal, Mahogany, Autumn Walnut	
<b>Shell Colors:</b> .....	North America: Platinum, Celestite (Gypsum), Sahara, Oyster (Opal), Copper Sand, Monaco, Midnight, Caribbean Surf, Sandstone, Porcelain <b>Export (50 Hz): All North America colors</b>	
<b>Headrest:</b> .....	Three, 1-piece gray	
<b>Heater:</b> .....	North America (60 Hz): 5.5 kW 240V High Flow Standard <b>Export (50 Hz): 2.7 kW High Flow Standard</b>	
<b>Electrical Requirements:</b> .....	North America (60 Hz): 240 VAC@40A, 50A or 60A <b>Export (50 Hz): 230-240 VAC@20A, 30A or 40A; or Suitably Rated Circuit Breaker to Comply with Local Electrical Regulations. Certain Countries May Require 2 Power Inputs; Two GFCI/RCD Breakers are Required for This Configuration.</b>	
<b>Limited Warranty*:</b> .....	North America (60 Hz): 5 Years Shell, 2 Years Shell Surface, 2 Years Plumbing Component Leaks, 2 Years Equipment and Controls, 1 Year Cabinet, 1 Year Jets, 1 Year Stereo <b>Export (50 Hz): 5 Years Shell, 2 Years Shell Surface, 2 Years Plumbing Component Leaks, 2 Years Equipment and Controls, 1 Year Cabinet, 1 Year Jets, 2 Years Stereo</b>	
<b>Waterfall Feature:</b> .....	Variable Valve Control	
<b>Audio System (Optional):</b> .....	Optional Factory Installed BLUEWAVE® Spa Stereo System (Bluetooth®/Aux compatible only) with four speakers	
<b>Cover:</b> .....	6476-014G (Coastal); 6476-014M (Duetta)	

\*(See Warranty Document for Specific Details)

Dimensions/Specifications Subject To Change Without Notice

# 2016 Sundance Spas 680 Peyton

## Operation/Seat Depths



**(A)** Air Control - Activates Seat A Jets (4 DV, 2 DVX, 6 DXL) + Seat B Jets (2 DL, 1 DVX) + Seat F Jets (2 DVX)

**(B)** Air Control - Activates Seat C Jets (2 DX, 4 DVR) + Footwell Jets (2 DVX)

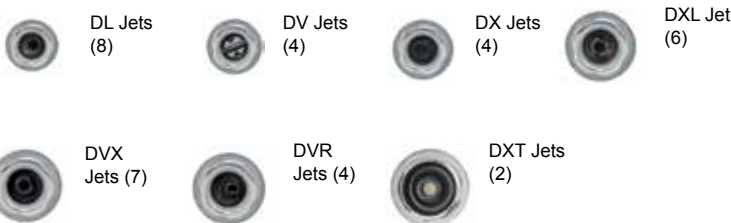
**(C)** Waterfall Selector [Pump 1] - Controls Waterfall Output

**(D)** Air Control - Activates Seat D Jets (2 DXT) + Seat E Jets (6 DL, 2 DX)

- Jets Pump 1: Powers Seat A Jets + Seat B Jets + Seat F + Waterfall when running

- Jets Pump 2: Seat C Jets + Seat D Jets + Seat E Jet + Footwell Jets when running

### 35 Total Jets



Spa Operation Subject To Change Without Notice

## SEAT DEPTHS

**A = 25.00" (63.50 cm)**

**B = 26.75" (67.95 cm)**

**C = 27.50" (69.85 cm)**

**D = 23.00" (58.42 cm)**

**E = 27.00" (68.58 cm)**

**F = 20.50" (52.07 cm)**

**G = 32.00" (81.28 cm)**

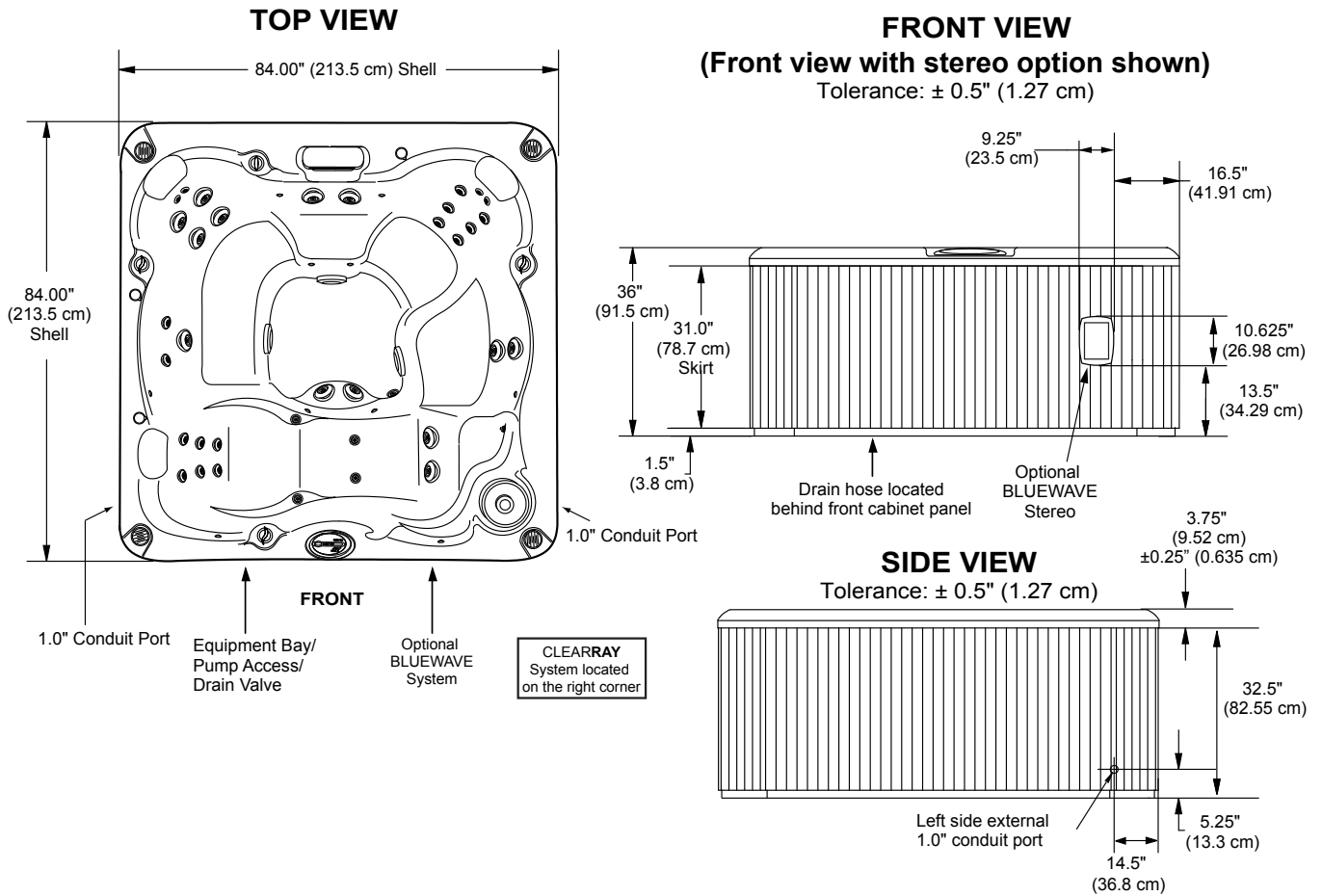
Listed dimensions represent distance from top of acrylic to lowest point in seat. **Tolerance ± 0.5" (1.27 cm).**



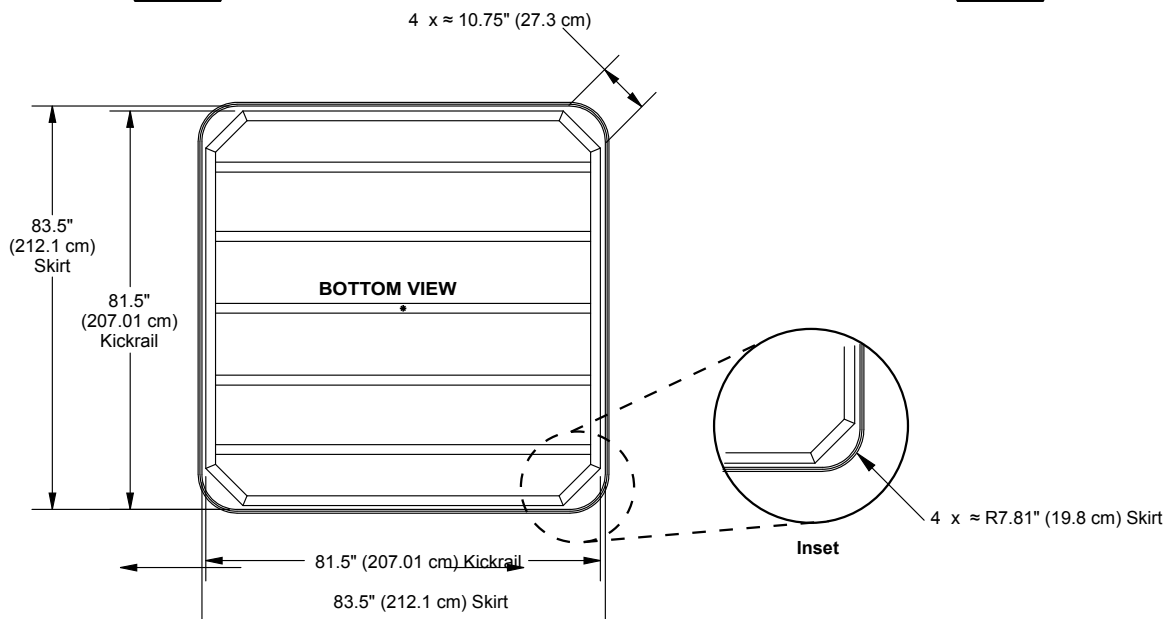
Dimensions/Specifications Subject To Change Without Notice

# 2016 Sundance Spas 680 Peyton

## Portable Dimensions



**IMPORTANT! Always measure each hot tub for exact dimensions BEFORE designing its foundational support and/or decking.**



Dimensions/Specifications Subject To Change Without Notice