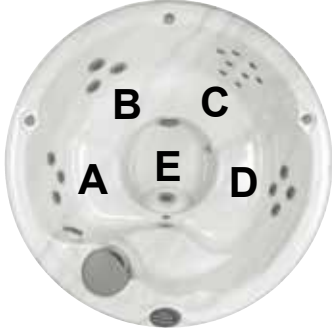


# Sundance Spas 680 Denali®

## Specifications

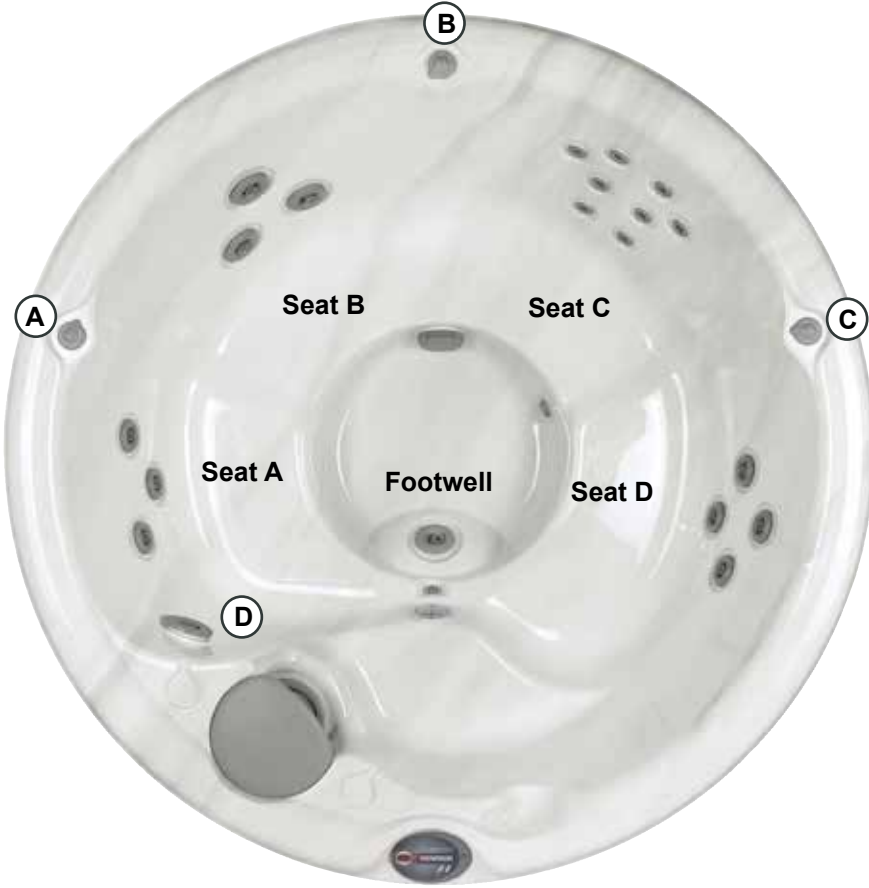
<b>Dimensions:</b> .....	78.5" Round x 36" (200 cm Round x 91.5 cm)	 <p><b>Textured Jets are standard. Stainless Steel is an option.</b></p>
<b>Seating Capacity:</b> .....	4 Adults	
<b>Dry Weight:</b> .....	560 lbs (254 kg)	
<b>Filled Weight (Spa Volume):</b> .....	3,062 lbs (1,389 kg)	
<b>Filled Weight (Average Fill):</b> .....	2,562 lbs (1,162 kg)	
<b>Water Capacity (Spa Volume):</b> .....	300 US Gal (1,136 Liters)	
<b>Water Capacity (Average Fill):</b> .....	240 US Gal (908 Liters)	
<b>Controls:</b> .....	Solid-State Electronic Controls with LCD Readout, Programmable Water Temperature, Filtration, and Heat Cycles	
<b>Water Delivery:</b> .....	1 High Flow Pump	
<b>Pump 1:</b> .....	North America (60 Hz): 1.5 HP/2-Speed Continuous, 11.0A max., 48 Frame <b>Export (50 Hz): 2.0 HP/2-Speed Continuous, 8.0A max.</b>	
<b>Total Hydrojets:</b> .....	<b>20</b>	
<b>Seat A Jets:</b> .....	3 DXL	
<b>Seat B Jets:</b> .....	3 DVX	
<b>Seat C Jets:</b> .....	8 DX	
<b>Seat D Jets:</b> .....	4 DXL	
<b>Footwell Jet (E):</b> .....	1 DVX	
<b>Divert-A-Jet:</b> .....	1	
<b>Air Controls/Massage Selectors:</b> .....	3 Air Controls; No Massage Selectors	
<b>Filter:</b> .....	50 ft <sup>2</sup> Filter Cartridge System	
<b>Water Treatment:</b> .....	Factory installed CLEARRAY® Water Purification System	
<b>Lighting:</b> .....	SunGlow Multi-Color LED Light	
<b>Synthetic Cabinet:</b> .....	Available in Coastal, Mahogany, Autumn Walnut	
<b>Shell Colors:</b> .....	North America: Platinum, Celestite (Gypsum), Sahara, Oyster (Opal), Copper Sand, Monaco, Midnight, Caribbean Surf, Sandstone, Porcelain <b>Export (50 Hz): All North American colors</b>	
<b>Heater:</b> .....	North America (60 Hz): High-Flow, 1 kW@120 VAC or Convertible to 4 kW@240 VAC; <b>Export (50 Hz): High-Flow, 2.7 kW</b>	
<b>Electrical Requirements:</b> .....	North America Convertible Model (60 Hz): 120 VAC@15A with Supplied GFCI Cord or 240 VAC@30A or 40A (Hard Wired Only); <b>Export (50 Hz): 230-240 VAC@1x20A or 2x16A (see manual for more configurations); or Suitably Rated Circuit Breaker to Comply with Local Electrical Regulations. Certain Countries May Require 2 Power Inputs; Two GFCI/RCD Breakers are Required for This Configuration.</b>	
<b>Limited Warranty*:</b> .....	North America (60 Hz): 5 Years Shell, 2 Years Shell Surface, 2 Years Plumbing Component Leaks, 2 Years Equipment and Controls, 1 Year Cabinet, 1 Year Jets <b>Export (50 Hz): 5 Years Shell, 2 Years Shell Surface, 2 Years Plumbing Component Leaks, 2 Years Equipment and Controls, 1 Year Cabinet, 1 Year Jets</b>	
<b>Audio System (Optional):</b> .....	Audio System Not Offered on This Model	
<b>Special Features:</b> .....	Factory Installed SmartTub™ module (North American only)	

\*(See Warranty Document for Specific Details)

Dimensions/Specifications Subject To Change Without Notice

# Sundance Spas 680 Denali

## Operation/Seat Depths



- (A)** Air Control - Activates the Divert-A-Jet (D)
- (B)** Air Control - Activates Seat A Jets (3 DXL), Seat B Jets (3 DVX), Seat D Jets (4 DXL)
- (C)** Air Control - Activates Seat C Jets (8 DX) and Footwell Jet (1 DVX)
- (D)** Divert-A-Jet - Adjusts Massage Levels Between itself and Seat A Jets + Seat B Jets + Seat D Jets

Seat C Jets + All Footwell Jets are on all the time when the jets pump is running.

### 20 Total Jets



Spa Operation Subject To Change Without Notice

## SEAT DEPTHS

- A = 24.75" (62.87 cm)**
- B = 26.75" (67.95 cm)**
- C = 26.75" (67.95 cm)**
- D = 26.75" (67.95 cm)**
- E = 17.00" (43.18 cm)**
- F = 32.00" (81.28 cm)**

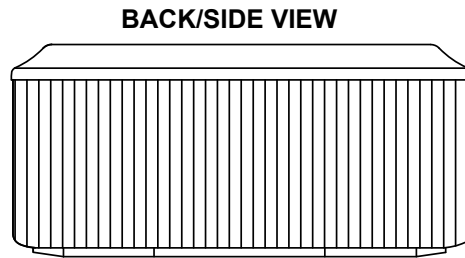
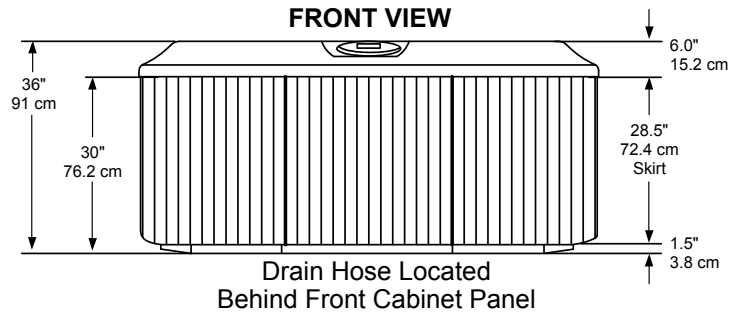
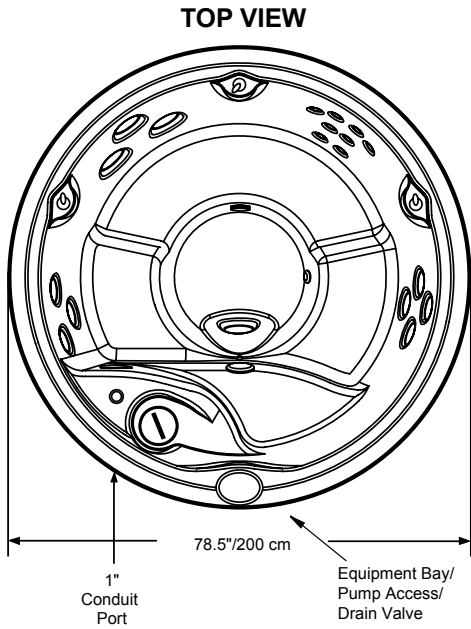
Listed dimensions represent distance from top of acrylic to lowest point in seat. **Tolerance  $\pm 0.5"$  (1.27 cm).**



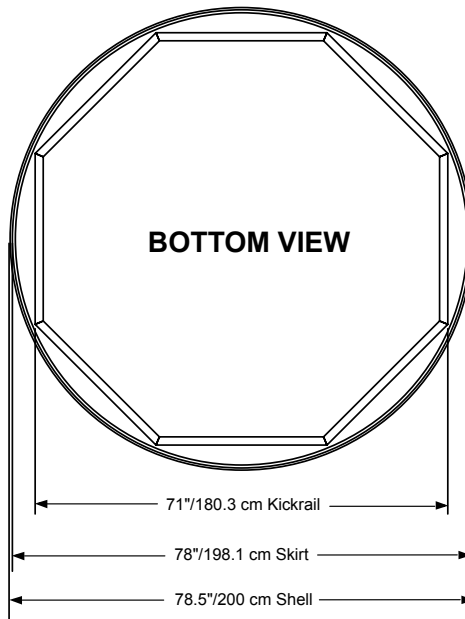
Dimensions/Specifications Subject To Change Without Notice

# Sundance Spas 680 Denali

## Portable Dimensions



**IMPORTANT!** Always measure each hot tub for exact dimensions **BEFORE** designing its foundational support and/or decking.



Denne modellen kan kobles med 1-fas 230V C-sikring

**680-serien:**

<b>Denali:</b>	For å få mest mulig glede av badet anbefaler vi høyeste kurs for optimal drift.			
	<b>Type varmeelement</b>	<b>Alternativ tilkobling</b>	<b>Funksjon</b>	<b>Kretskortinnstillinger</b>
Denali	5,5 kW	32 amp eller 10 + 25 amp	Varmeelement og pumper kan brukes samtidig	Se brukermanual.
Denali	2,7 kW	20 amp eller 13 + 10 amp	Varmeelement og pumper kan brukes samtidig	Se brukermanual.
Denali	2,7 kW	16 amp	Varmeelementet slår seg av når pumpene settes på høy hastighet.	Se brukermanual.