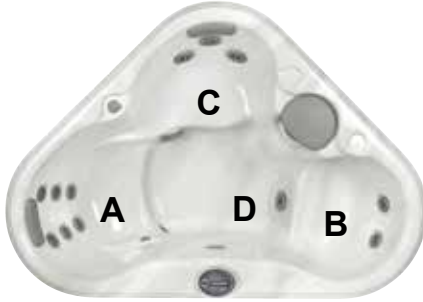


Sundance Spas 680 Tacoma®

Specifications

<p>Dimensions:68" x 68" x 31" (173 cm x 173 cm x 79 cm)</p> <p>Seating Capacity:2 Adults</p> <p>Dry Weight:424 lbs (192 kg)</p> <p>Filled Weight (Spa Volume):2,009 lbs (911 kg)</p> <p>Filled Weight (Average Fill):1,633 lbs (741 kg)</p> <p>Water Capacity (Spa Volume):190 US Gal (719 Liters)</p> <p>Water Capacity (Average Fill):145 US Gal (549 Liters)</p> <p>Controls:Series Solid-State Electronic Controls with LCD Readout, Programmable Water Temperature, Filtration and Heat Cycles</p> <p>Water Delivery:1 High Flow Pump</p> <p>Pump 1:North America (60 Hz): 1.5 HP/2-Speed Continuous, 11.3A max. Export (50 Hz): 2-HP/2-Speed Continuous, 8.0A max.</p> <p>Total Hydrojets:12</p> <p>Seat A Jets:6 DXL</p> <p>Seat B Jets:3 DVX</p> <p>Seat C Jets:2 DXL</p> <p>Foot Well Jet (D):1 DVX</p> <p>Air Controls/Massage Selectors: ...1 Air Control; No Massage Selector</p> <p>Filter:35 ft² Filter Cartridge System</p> <p>Water Treatment:Factory installed CLEARRAY® Water Purification System</p> <p>Lighting:SunGlow Multi-Color LED Light</p> <p>Synthetic Cabinet:Available in Coastal, Mahogany, Autumn Walnut</p> <p>Shell Colors:North America: Platinum, Celestite (Gypsum), Sahara, Oyster (Opal), Copper Sand, Monaco, Midnight, Caribbean Surf, Sandstone, Porcelain Export (50 Hz): All North America colors</p> <p>Headrest:.....Two, 1-Piece Gray</p> <p>Heater:.....North America (60 Hz): High Flow, 1 kW@120 VAC or Convertible to 4 kW@240 VAC; Export (50 Hz): High Flow, 2.7 kW</p> <p>Electrical Requirements:.....North America Convertible Model (60 Hz): 120 VAC@15A with Supplied GFCI Cord or 240 VAC@30A or 40A (Hard Wired Only); Export (50 Hz): 230-240 VAC@1x20A or 2x16A (see manual for more configurations); or Suitably Rated Circuit Breaker to Comply with Local Electrical Regulations. Certain Countries May Require 2 Power Inputs; Two GFCI/RCD Breakers are Required for This Configuration.</p> <p>Limited Warranty*:.....North America (60 Hz): 5 Years Shell, 2 Years Shell Surface, 2 Years Plumbing Component Leaks, 2 Years Equipment and Controls, 1 Year Cabinet, 1 Year Jets Export (50 Hz): 5 Years Shell, 2 Years Shell Surface, 2 Years Plumbing Component Leaks, 2 Years Equipment and Controls, 1 Year Cabinet, 1 Year Jets</p> <p>Audio System (Optional):Audio System Not Offered on This Model</p> <p>Special Features (Optional):.....Factory Installed SmartTub™ module (North American only)</p>	 <p style="text-align: center;">Textured Jets are standard. Stainless Steel is an option.</p>
----------------------------------------------------------------------------------------------------------------------------------------------------------------------------------------------------------------------------------------------------------------------------------------------------------------------------------------------------------------------------------------------------------------------------------------------------------------------------------------------------------------------------------------------------------------------------------------------------------------------------------------------------------------------------------------------------------------------------------------------------------------------------------------------------------------------------------------------------------------------------------------------------------------------------------------------------------------------------------------------------------------------------------------------------------------------------------------------------------------------------------------------------------------------------------------------------------------------------------------------------------------------------------------------------------------------------------------------------------------------------------------------------------------------------------------------------------------------------------------------------------------------------------------------------------------------------------------------------------------------------------------------------------------------------------------------------------------------------------------------------------------------------------------------------------------------------------------------------------------------------------------------------------------------------------------------------------------------------------------------------------------------------------------------------------------------------------------------------------------------------------------------------------------------------------------------------------------------------------------------------------------------------------------------------------------------------------------------------------------------------------------------------------------------------------------------------------------------------------------------------------------------------------------------------------------------------------------------------------------------------------------------------------------------------------------------------------------------------------------------------------------------------------------------------------------------------------------------------------------------------------------------------------------------------------	-----------------------------------------------------------------------------------------------------------------------------------------------------------------------------------------------------

*(See Warranty Document for Specific Details)

Dimensions/Specifications Subject To Change Without Notice

Sundance Spas 680 Tacoma

Operation/Seat Depths



A Air Control - Supplies Air to All Jets

12 Total Jets (textured jets)



DXL
Jets (8)



DVX
Jet (4)

Spa Operation Subject To Change Without Notice

SEAT DEPTHS

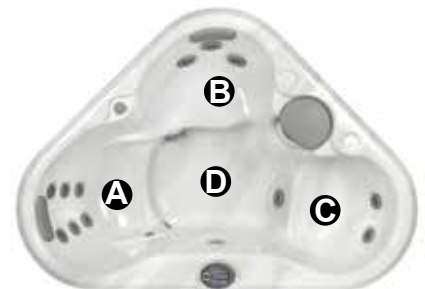
A = 25.00" (63.50 cm)

B = 21.00" (53.34 cm)

C = 18.75" (47.63 cm)

D = 28.75" (73.03 cm)

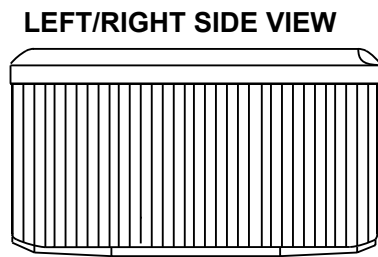
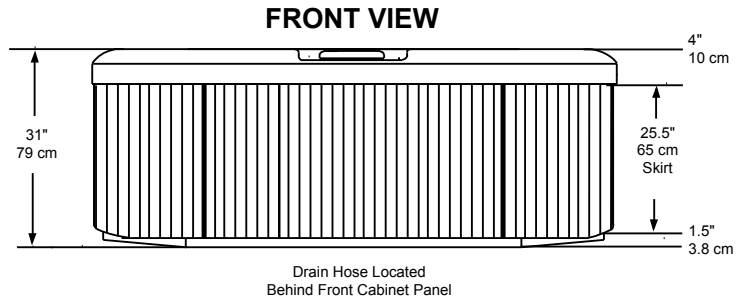
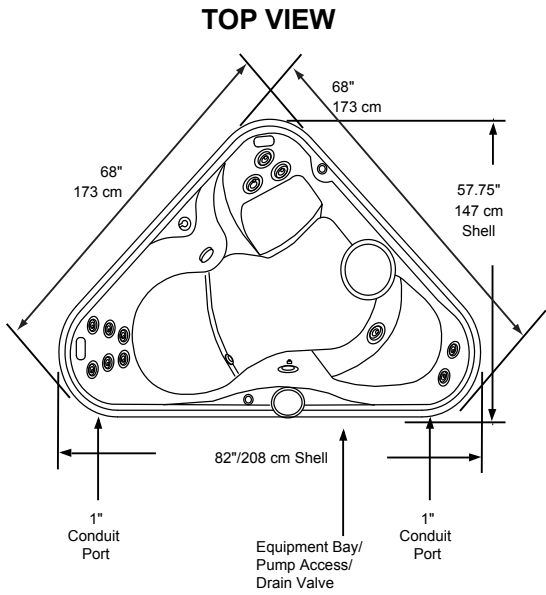
Listed dimensions represent distance from top of acrylic to lowest point in seat. **Tolerance $\pm 0.5"$ (1.27 cm).**



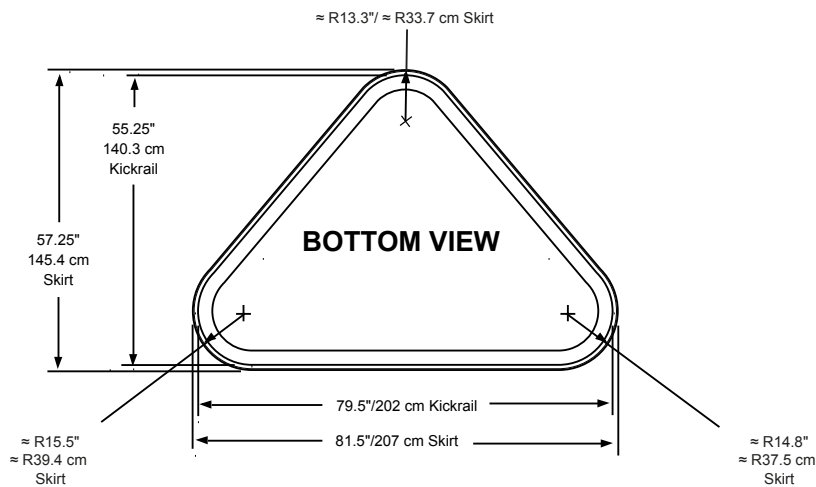
Dimensions/Specifications Subject To Change Without Notice

Sundance Spas 680 Tacoma

Portable Dimensions



IMPORTANT! Always measure each hot tub for exact dimensions **BEFORE** designing its foundational support and/or decking.



Denne modellen kan kobles med 1-fas 230V C-sikring

680-serien:

Tacoma:	For å få mest mulig glede av badet anbefaler vi høyeste kurs for optimal drift.			
	Type varmeelement	Alternativ tilkobling	Funksjon	Kretskortinnstillinger
Tacoma	5,5 kW	32 amp eller 10 + 25 amp	Varmeelement og pumper kan brukes samtidig	Se brukermanual.
Tacoma	2,7 kW	20 amp eller 13 + 10 amp	Varmeelement og pumper kan brukes samtidig	Se brukermanual.
Tacoma	2,7 kW	16 amp	Varmeelementet slår seg av når pumpene settes på høy hastighet.	Se brukermanual.