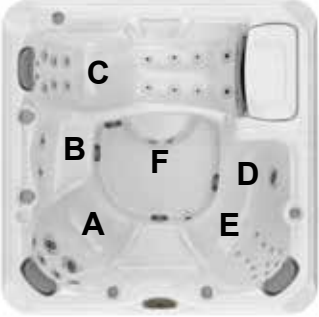


Sundance Spas 780 Bristol™

Specifications

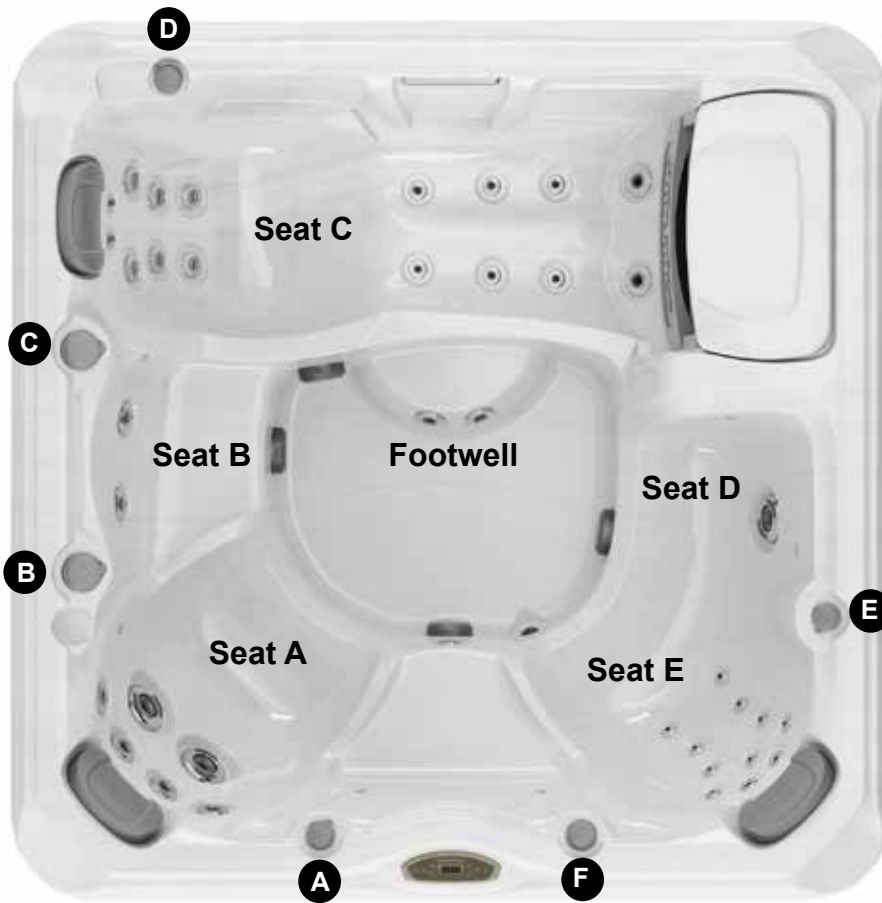
Dimensions:	84" x 84" x 36" (213 cm x 213 cm x 91.44 cm)	
Seating Capacity:	6 Adults	
Dry Weight:	745 lbs (338 kg)	
Filled Weight (Spa Volume):	4,331 lbs (1,965 kg)	
Filled Weight (Average Fill):	3,664 lbs (1,662 kg)	
Water Capacity (Spa Volume):	430 US Gal (1,628 Liters)	
Water Capacity (Average Fill):	350 US Gal (1,325 Liters)	
Controls:	780 Series Solid-State Electronic Controls with LCD Readout, Programmable Water Temperature, Filtration, and Heat Cycles	
Water Delivery:	2 High Flow Pump	
Pump 1:	North America (60 Hz): 1-Speed/2.5 HP Continuous, 12.0A Max., 56 Frame Export (50 Hz): 1-Speed/2.0 HP Continuous, 8.0A Max.	
Pump 2:	North America (60 Hz): 1-Speed/2.5 HP Continuous, 11A Max., 56 Frame Export (50 Hz): 1-Speed/2.0 HP Continuous, 7.0A Max.	
Pump 3:	8-Hour Filter/Circulation Pump; High Output Flow	
Total Hydrojets:	38	
Seat A Jets :	4 Mini Vortex, 2 Vortex	
Seat B Jets:	2 Mini Vortex	
Seat C Jets:	2 SMT Micro, 6 SMT Fluidix, 6 Adjustable Accu-Pressure, 2 Mini Vortex	
Seat D Jets:	1 Vortex	
Seat E Jets:	2 SMT Micro, 9 Accu-Pressure	
Footwell Jets (F):	2 Mini Vortex	
Air Controls/Massage Selectors:	3/2 Standard air control with LED lights	
Filter:	MicroClean® I Filtration System with Floating Weir, 125 ft² combined filtration, (1 pleated and 1 spun-bound cartridge)	
Water Treatment:	8-Hour Circulation Pump; Factory installed CLEARRAY® Water Purification System	
Lighting:	Standard Multi-Colored SunRay LED Light; 6 LED Pin Lights; Indicator light; Air controls	
Synthetic Cabinet:	Available in Coastal, Mahogany, Autumn Walnut	
Shell Colors:	North America: Platinum, Celestite (Gypsum), Sahara, Oyster (Opal), Copper Sand, Monaco, Midnight, Caribbean Surf, Sandstone, Porcelain Export (50 Hz): All North America Colors	
Handrails:	N/A	
Headrests:	Three, 1-Piece Gray	
Heater:	North America (60 Hz): 5.5 kW, High Flow Export (50 Hz): High Flow, 2.7 kW	
Electrical Requirements:	North America (60 Hz): 240 VAC@40A, 50A, or 60A; Export (50 Hz): 230-240 VAC@1x20A, 1x16A/1x20A, or 3x16A (see manual for more configurations); or Suitably Rated Circuit Breaker to Comply with Local Electrical Regulations. Certain Countries May Require Dual Power Inputs; Two GFCI/RCD Breakers are Required for This Configuration.	
Limited Warranty*:	North America (60 Hz): 10 Years Shell, 7 Years Shell Surface, 5 Years Plumbing Component Leaks, 5 Years Equipment and Controls, 5 Years Cabinet, 2 Years Jets, 2 Years Lights, 1 Year Stereo Export (50 Hz): 10 Years Shell, 7 Years Shell Surface, 5 Years Plumbing Component Leaks, 5 Years Equipment and Controls, 5 Years Cabinet, 2 Years Jets, 2 Years Lights, 2 Years Stereo	
Waterfall Feature:	On/Off Flow Rate on when circulation pump is running; Colored Lighting	
Audio System (Optional):	Factory Installed BLUEWAVE® Spa Stereo System with Wireless Remote Control, Auxiliary 3.5 mm headphone jack connection, USB connection, FM radio, Bluetooth® compatible, integrated docking station and subwoofer	
Special Features (Optional):	Factory Installed SmartTub™ module (North American only)	

*(See Warranty Document for Specific Details)

Dimensions/Specifications Subject To Change Without Notice

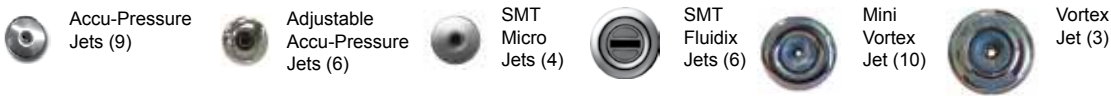
Sundance Spas 780 Bristol

Operation/Seat Depths



- (A) Air Control - Activates Seat A Jets (2 Mini Vortex, 2 Vortex)
- (B) Massage Selector [Pump 2]- Adjusts Massage Level Between Seat B Jets + Seat D Jet + Footwell Jets and Seat E Jets
- (C) Massage Selector [Pump 1]- Adjusts Massage Level Between Seat C Jets and Seat A Jets
- (D) Air Control - Seat C Jets (2 SMT Micro, 6 SMT Fluidix, 6 Adjustable Accu-Pressure, 2 Mini Vortex)
- (E) Air Control - Activates Seat E Jets (2 SMT Micro, 9 Accu-Pressure) + Seat D Jets (2 Vortex) + Seat D Jets (2 Vortex) + Footwell Jets (2 Mini Vortex)
- (F) Waterfall Selector [8-Hour Circ. Pump]- Controls Waterfall Output

38 Total Jets (Stainless Steel Escutcheons Standard)



Spa Operation Subject To Change Without Notice

SEAT DEPTHS

A = 27.00" (68.58 cm)
B = 19.50" (49.53 cm)
C = 25.25" (64.14 cm)
D = 26.25" (66.68 cm)

E = 27.50" (69.85 cm)
F = 18.25" (46.36 cm)
G = 32.70" (83.06 cm)

Listed dimensions represent distance from top of acrylic to lowest point in seat. **Tolerance ± 0.5" (1.27 cm).**

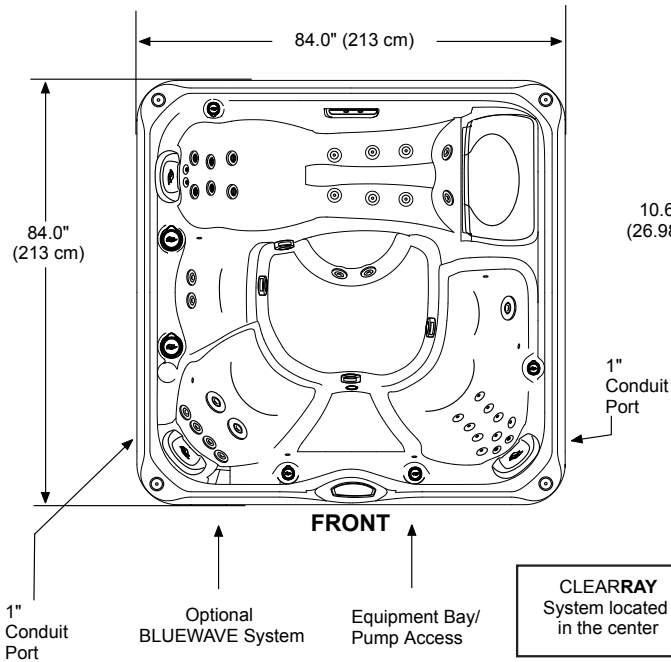


Dimensions/Specifications Subject To Change Without Notice

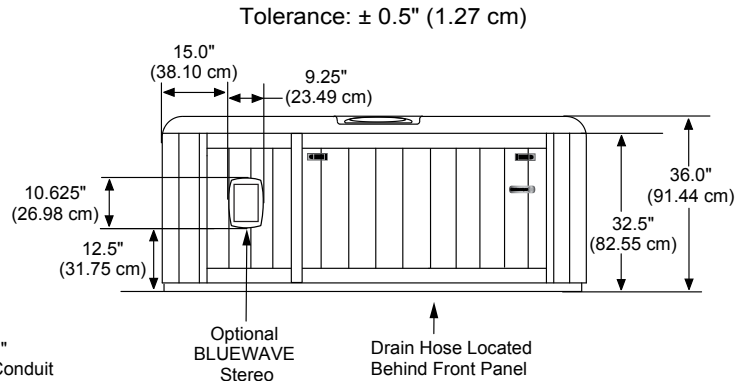
Sundance Spas 780 Bristol

Portable Dimensions

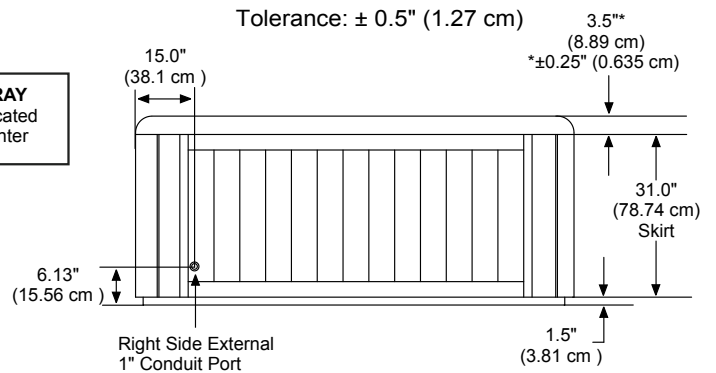
TOP VIEW



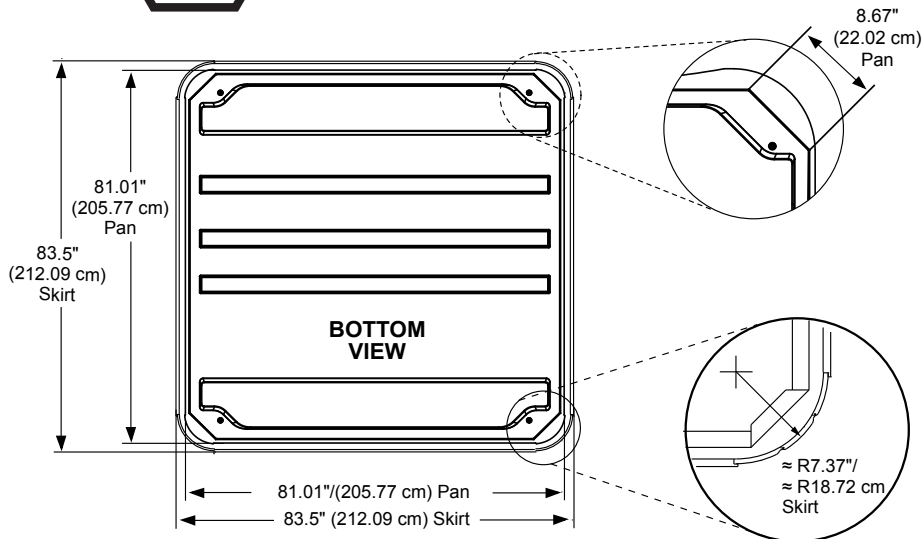
FRONT/BACK VIEW
(Front view with stereo option shown)



RIGHT SIDE VIEW



IMPORTANT! Always measure each hot tub for exact dimensions BEFORE designing its foundational support and/or decking.



Dimensions/specifications subject to change without notice. Tolerance: $\pm 0.5"$ (1.27 cm)

Dimensions/Specifications Subject To Change Without Notice

Denne modellen kan kobles med 1-fas 230V C-sikring (treg) og 3-fas (400 volt TN-nett - se egne linjer)

780-serien:

Bristol: For å få mest mulig glede av badet anbefaler vi høyeste kurs for optimal drift.				
	Type varmeelement	Alternativ tilkobling	Funksjon	Kretskortinnstillinger
Bristol	5,5 kW	3-fas (400 volt TN-nett) 25 amp	Varmeelement og pumper kan brukes samtidig	Se brukermanual.
Bristol	5,5 kW	40 amp eller 20 + 25 amp	Varmeelement og pumper kan brukes samtidig	Se brukermanual.
Bristol	5,5 kW	25 amp	Alle pumper kan brukes samtidig. Varmeelementet slår seg automatisk av når pumpene startes.	Se brukermanual.
Bristol	2,7 kW	3-fas (400 volt TN-nett) 16 amp	Varmeelement og pumper kan brukes samtidig	Se brukermanual.
Bristol	2,7 kW	32 amp eller 16 + 20 amp	Varmeelement og pumper kan brukes samtidig	Se brukermanual.
Bristol	2,7 kW	20 amp	Varmeelementet slår seg automatisk av når pumpene startes.	Se brukermanual.