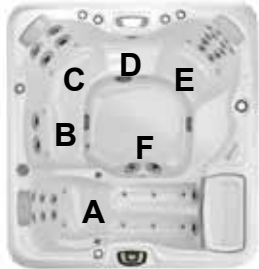


# Sundance Spas 880 Altamar®

## Specifications

<b>Dimensions:</b> .....	81" x 86" x 37.5" (206 cm x 218.5 cm x 95.25 cm)	
<b>Seating Capacity:</b> .....	5-6 Adults	
<b>Dry Weight:</b> .....	875 lbs (397 kg)	
<b>Filled Weight (Spa Volume):</b> .....	4,878 lbs (2,213 kg)	
<b>Filled Weight (Average Fill):</b> .....	4,128 lbs (1,872 kg)	
<b>Water Capacity (Spa Volume):</b> .....	480 US Gal (1,817 Liter)	
<b>Water Capacity (Average Fill):</b> .....	390 US Gal (1,476 Liter)	
<b>Controls:</b> .....	880 iTouch Interface LCD Control, Displays Temperature, Time, Cycles and Jet/Air System Control. Offers Customizing of Filtration Cycles, Lighting, Water Temperature Setting and other features	
<b>Water Delivery:</b> .....	2 TheraMax High-Flow Pumps and 8-Hour Dynamic Flow Circulation System	
<b>Pump 1:</b> .....	North America (60 Hz): 1-Speed/2.5 HP Continuous, 11.3A Max., 56 Frame <b>Export (50 Hz): 1-Speed/2.0 HP Continuous, 7.0A Max.</b>	
<b>Pump 2:</b> .....	North America (60 Hz): 1-Speed/2.5 HP Continuous, 11.3A Max., 56 Frame <b>Export (50 Hz): 1-Speed/2.0 HP Continuous, 7.0A Max.</b>	
<b>Pump 3:</b> .....	High Output Dynamic Flow, 8-Hour Filter/Circulation Pump (35 gpm) Programmable for Daily Start Time and Duration	
<b>Total Hydrojets:</b> .....	<b>41</b>	
<b>Seat A Jets:</b> .....	6 Fluidix Reflex Jets, 2 Pulsator, 2 Fluidix Intelli-Jet, 8 Focus-Relief®	
<b>Seat B Jets:</b> .....	2 Fluidix Intelli-Jet	
<b>Seat C Jets:</b> .....	2 Fluidix Nex, 2 Vortex, 2 Fluidix Intelli-Jet	
<b>Seat D Jet:</b> .....	1 Vortex	
<b>Seat E Jets:</b> .....	12 Fluidix ST, 2 Fluidix Nex	
<b>Footwell Jets (F):</b> .....	2 Whirlpool	
<b>Air Blower:</b> .....	High-Efficiency, 1-Speed	
<b>Aromatherapy Delivery:</b> .....	8 Air Injector Jets with Quiet High Speed Air Pump	
<b>Air Controls/Massage Selectors:</b> .....	5/1 (Standard air control and massage selector LED lights)	
<b>Filter:</b> .....	MicroClean® Ultra Filtration System, 130 ft² (2 interlocking cartridge filters)	
<b>Water Treatment:</b> .....	Automatic Brominator and Dynamic Flow Circulation System; Factory installed CLEARRAY® Water Purification System	
<b>Lighting:</b> .....	Multi-Colored Sunglow LED Lighting System (1 Waterfall, 1 Footwell, 5 Air controls, 1 Massage Selectors, 1 Backlit handrails)	
<b>Skirt Cabinet:</b> .....	Standard SunStrong® - Available in Coastal, Mahogany, Autumn Walnut and White Oak Premium SunSide™ - Available in Modern Hardwood, Brushed Gray and Vintage Oak (Equipped with Standard Exterior Lights)	
<b>Shell Colors:</b> .....	North America (60 Hz): Platinum, Celestite (Gypsum), Sahara, Oyster (Opal), Copper Sand, Monaco, Midnight, Caribbean Surf, Sandstone, Porcelain <b>Export (50 Hz): All North America Colors</b>	
<b>Handrails:</b> .....	One High Quality Stainless Steel with a backlit LED light	
<b>ComforTone Headrests:</b> .....	Three, 1-Piece Gray	
<b>Heater:</b> .....	North America (60 Hz): Low Flow 5.5 kW with Titanium Element <b>Export (50 Hz): Low Flow 2.7 kW with Titanium Element</b>	
<b>Electrical Requirements:</b> .....	North America (60 Hz): 240 VAC@40A, 50A or 60A; <b>Export (50 Hz): 230-240 VAC@1x40A or 1x16A/1x32A, 1x20A/1x16A, 3x16A (see manual for more configurations); or Suitably Rated Circuit Breaker to Comply with Local Electrical Regulations. Certain Countries may Require 2 Power Inputs; Two GFCI/RCD Breakers are Required for This Configuration.</b>	
<b>Limited Warranty*:</b> .....	North America (60 Hz): 10 Years Shell, 7 Years Shell Surface, 5 Years Plumbing Component Leaks, 5 Years Equipment and Controls, 5 Years Cabinet, 5 Years Jets, 2 Years Lights, 1 Year Stereo <b>Export (50 Hz): 10 Years Shell, 7 Years Shell Surface, 5 Years Plumbing Component Leaks, 5 Years Equipment and Controls, 5 Years Cabinet, 5 Years Jets, 2 Years Lights, 2 Years Stereo</b>	
<b>Waterfall Feature:</b> .....	Adjustable Flow Rate; Colored Lighting	
<b>Audio System (Optional):</b> .....	Factory Installed BLUEWAVE® 2.0 Wireless Spa Stereo System with Auxiliary 3.5 mm headphone jack connection, Bluetooth® compatible, 4 premium speakers and a powered subwoofer	
<b>Special Features:</b> .....	MicroClean® Plus Versatile Filter Lid, <b>Optional</b> Filter Lid Pillow seat, <b>Optional</b> (Factory Installed) SmartTub™ Module - North American only	

\*(See Warranty Document for Specific Details)

Dimensions/Specifications Subject To Change Without Notice

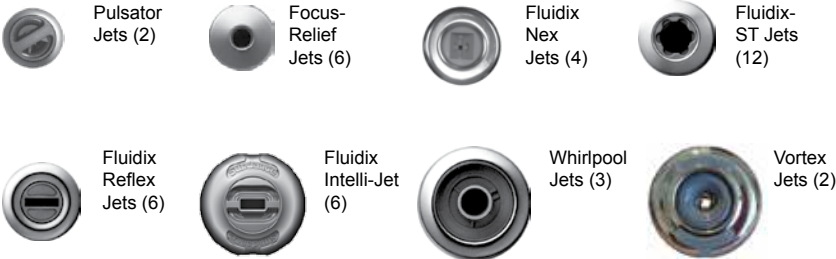
# Sundance Spas 880 Altamar

## Operation/Seat Depths



- (A)** Air Control - Activates Seat A Jets (6 Fluidix Reflex, 2 Pulsator, 2 Fluidix Intelli-Jet)
- (B)** Sunscents Dispenser
- (C)** Air Control - Activates Seat B Jets (2 Fluidix Intelli-Jet) + Seat A Jets (2 Fluidix Nex, 2 Vortex, 2 Fluidix Intelli-Jet)
- (D)** Air Control - Activates Seat D Jet (1 Whirlpool) + Footwell Jets (2 Whirlpool)
- (E)** Waterfall Selector [8-Hour Circ. Pump] - Controls Waterfall Output
- (F)** Air Control - Activates Lower Six Seat E Jets (6 Fluidix-ST)
- (G)** Air Control - Activates Upper Eight Seat E Jets (2 Fluidix Nex, 6 Fluidix-ST)
- (H)** Massage Selector [Pump 2] - Adjusts Massage Level Between Seat B Jets + Seat E Jets and Seat D Jet + Footwell Whirlpool Jets

### 41 Total Jets



- Jets Pump 1: Seat A Jets + Seat C Jets are always on when this pump is running.
- Focus-Relief Jets: Work with both the blower and Jets Pump 1. The blower introduces air to the jet and the Jets Pump forces water through.

Spa Operation Subject To Change Without Notice

## SEAT DEPTHS

**A = 26.00" (66.04 cm)**  
**B = 27.00" (68.58 cm)**  
**C = 28.00" (71.12 cm)**  
**D = 23.00" (58.42 cm)**

**E = 28.00" (71.12 cm)**  
**F = 20.00" (50.80 cm)**  
**G = 30.00" (76.20 cm)**

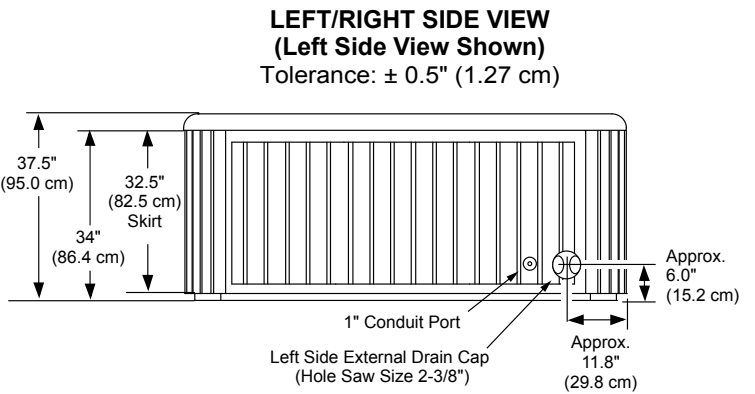
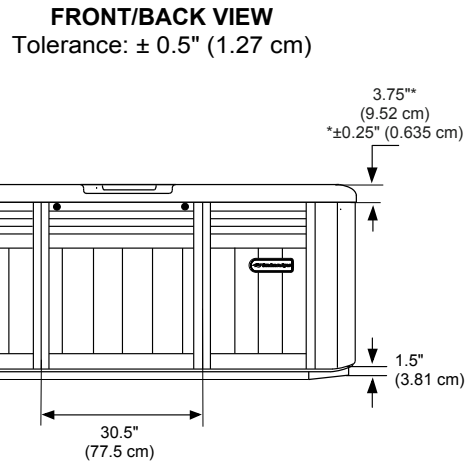
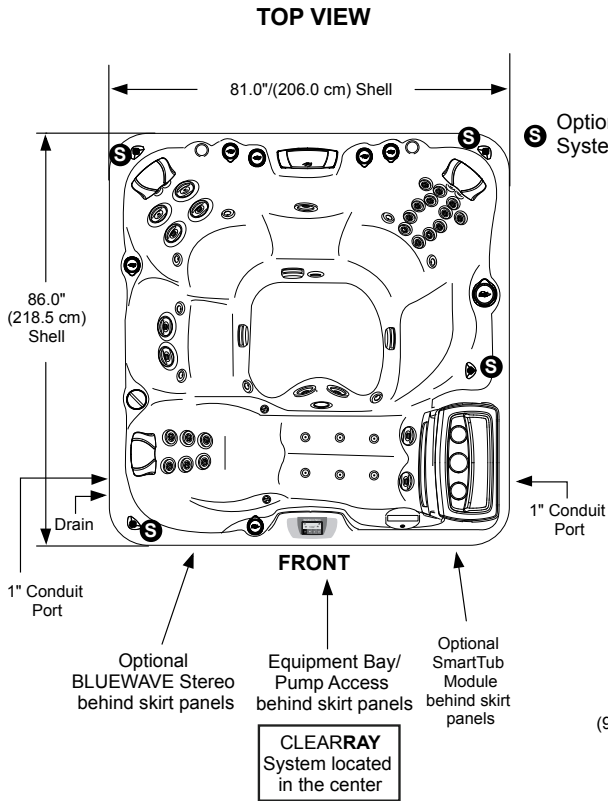
Listed dimensions represent distance from top of acrylic to lowest point in seat. **Tolerance ± 0.5" (1.27 cm).**



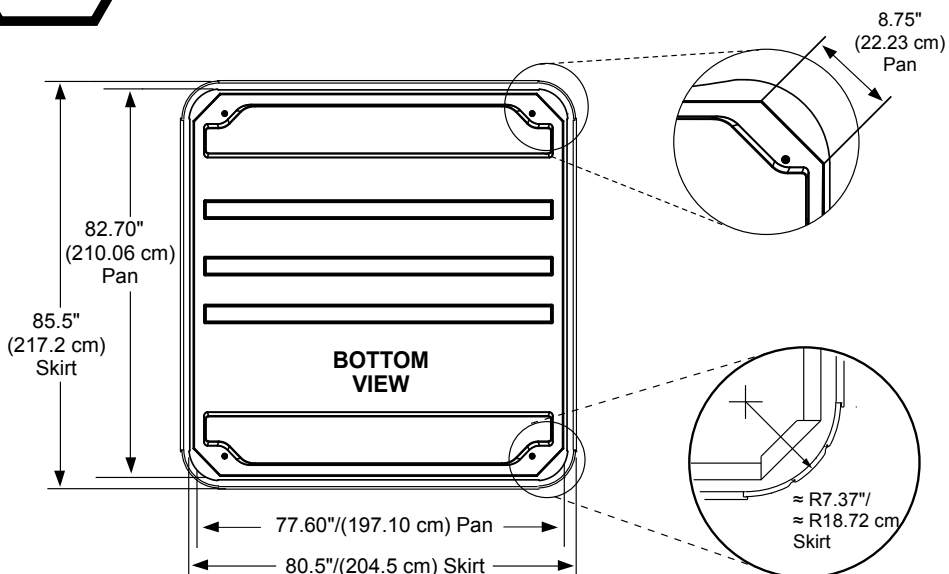
Dimensions/Specifications Subject To Change Without Notice

# Sundance Spas 880 Altamar

## Portable Dimensions



**IMPORTANT! Always measure each hot tub for exact dimensions BEFORE designing its foundational support and/or decking.**



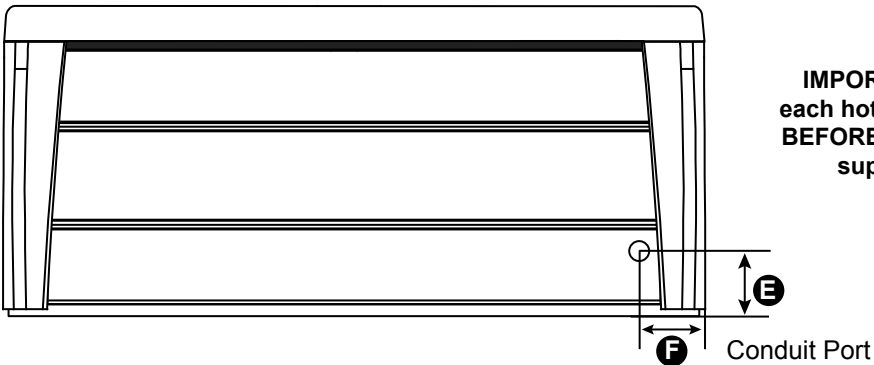
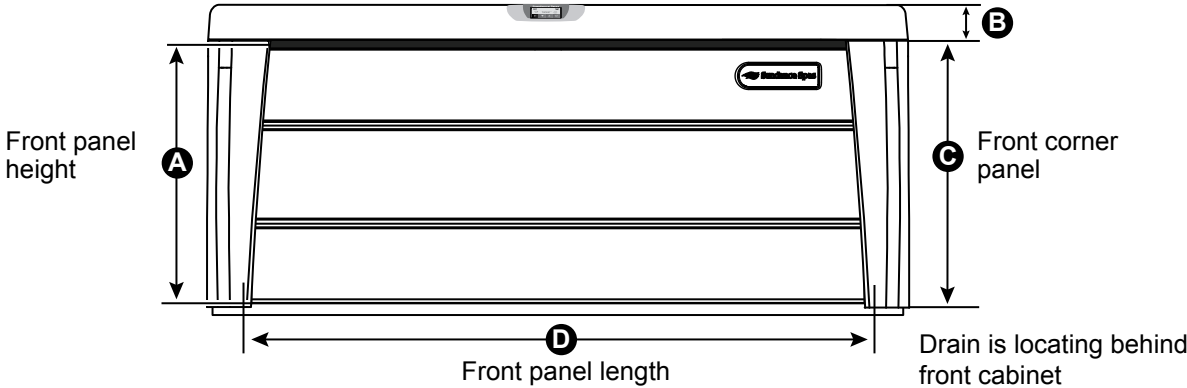
Dimensions/specifications subject to change without notice. Tolerance:  $\pm 0.5"$  (1.27 cm)

Dimensions/Specifications Subject To Change Without Notice

# SunSide™ Dimensions

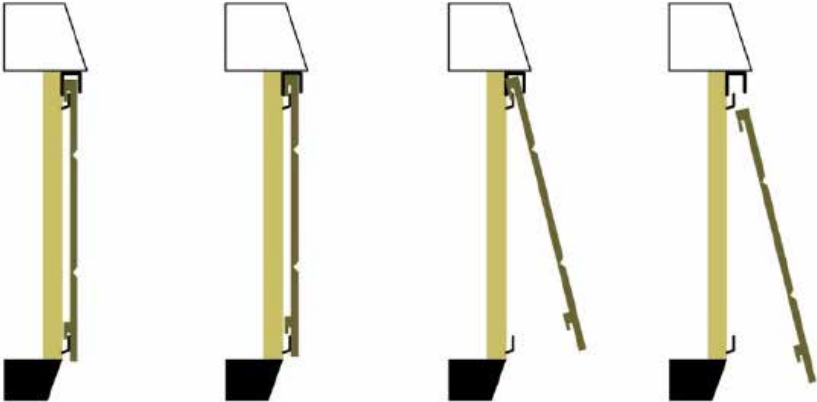
Spa Models	DIMENSIONS A-F (All measurements are an approximate)					
	A	B*	C	D	E	F
Optima	32.25" (81.92 cm)	3.75" (9.52 cm)	32.75" (83.19 cm)	73.0" (185.42 cm)	6.0" (15.24 cm)	5.0" (12.70 cm)
Cameo	32.25" (81.92 cm)		32.75" (83.19 cm)	73.0" (185.42 cm)		
Altamar	32.25" (81.92 cm)		32.75" (83.19 cm)	64.75" (164.47 cm)		
Cambria	28.70" (72.90 cm)		29.20" (74.17 cm)	59.75" (151.77 cm)		
Marin	28.70" (72.90 cm)		29.20" (74.17 cm)	59.75" (151.77 cm)		
Capri	25.25" (64.14 cm)		25.75" (65.41 cm)	65.75" (167.01 cm)		
		*±0.25" (0.635 cm)				

- Dimensions Subject to Change Without Notice -



**IMPORTANT!** Always measure each hot tub for exact dimensions **BEFORE** designing its foundation support and/or decking.

Dimensions/specifications subject to change without notice. Tolerance: ± 0.5" (1.27 cm)



An 18" clearance, all around the spa, is recommended. This clearance is needed for panel removal or when servicing.

Dimensions/Specifications Subject To Change Without Notice

Denne modellen kan kobles med 1-fas 230V C-sikring (treg) og 3-fas (400 volt TN-nett - se egne linjer)

**880-serien:**

<b>Altamar:</b> For å få mest mulig glede av badet anbefaler vi høyeste kurs for optimal drift.				
	<b>Type varmeelement</b>	<b>Alternativ tilkobling</b>	<b>Funksjon</b>	<b>Kretskortinnstillinger</b>
Altamar	5,5 kW	3-fas (400 volt TN-nett) 25 amp	Varmeelement og pumper kan brukes samtidig	Se brukermanual.
Altamar	5,5 kW	40 amp eller 20 + 25 amp	Varmeelement og pumper kan brukes samtidig	Se brukermanual.
Altamar	5,5 kW	25 amp	Alle pumper kan brukes samtidig. Varmeelementet slår seg automatisk av når pumpene startes.	Se brukermanual.
Altamar	2,7 kW	3-fas (400 volt TN-nett) 16 amp	Varmeelement og pumper kan brukes samtidig	Se brukermanual.
Altamar	2,7 kW	32 amp eller 16 + 20 amp	Varmeelement og pumper kan brukes samtidig	Se brukermanual.
Altamar	2,7 kW	20 amp	Alle pumper kan brukes samtidig. Varmeelementet slår seg automatisk av når en av pumpene startes.	Se brukermanual.