


Sundance Spas 880 Capri®

Specifications

Dimensions:	69" x 82" x 30.5" (175.5 cm x 208.5 cm x 77.5 cm)	
Seating Capacity:	2-3 Adults	
Dry Weight:	635 lbs (288 kg)	
Filled Weight (Spa Volume):	3,262 lbs (1,480 kg)	
Filled Weight (Average Fill):	2,553 lbs (1,158 kg)	
Water Capacity (Total Volume):	315 US Gal (1,192 Liters)	
Water Capacity (Average Fill):	230 US Gal (871 Liters)	
Controls:	880 Touch Interface LCD Control, Displays Temperature, Time, Cycles and Jet/Air System Control. Offers Customizing of Filtration Cycles, Lighting, Water Temperature Setting and other features	
Water Delivery:	1 TheraMax High-Flow Pump and 8-Hour Dynamic Flow Circulation System	
Pump 1:	North America (60 Hz): 1-Speed/2.5 HP Continuous, 11.3A Max., 56 Frame Export (50 Hz): 1-Speed/2.0 HP Continuous, 7.0A Max.	
Pump 2:	High Output Dynamic Flow, 8-Hour Filter/Circulation Pump (35 gpm), Programmable for Daily Start Time and Duration	
Total Hydrojets:	31	
Seat A Jets:	6 Fluidix Reflex, 2 Pulsator, 4 Focus-Relief, 4 Accu-Pressure	
Seat B Jets:	10 Fluidix ST, 2 Fluidix Nex	
Seat C Jets:	1 Vortex, 2 Fluidix Intelli-Jet	
Air Blower:	High-Efficiency, 1-Speed	
Aromatherapy Delivery:	8 Air Injector Jets with Quiet High Speed Air Pump	
Air Controls/Massage Selectors:	2/1 (Standard air control with LED lights and massage selector with LED lights)	
Filter:	MicroClean® Ultra Filtration System, 130 ft² (2 interlocking cartridge filters)	
Water Treatment:	Automatic Brominator and Dynamic Flow Circulation System; Factory installed CLEARARRAY® Water Purification System	
Lighting:	Multi-Colored Sunflow LED Lighting System (1 Waterfall, 1 Main light, 2 Air controls, 1 Massage Selectors)	
Skirt Cabinet:	Standard SunStrong® - Available in Coastal, Mahogany, Autumn Walnut and White Oak Premium SunSide™ - Available in Modern Hardwood, Brushed Gray and Vintage Oak (Equipped with Standard Exterior Lights)	
Shell Colors:	North America: Platinum, Celestite (Gypsum), Sahara, Oyster (Opal), Copper Sand, Monaco, Midnight, Caribbean Surf, Sandstone, Porcelain Export: All North America Colors	
Handrails:	1 Integral	
ComforTone Headrests:	Three, 1-Piece Gray	
Heater:	North America (60 Hz): Low Flow 5.5 kW with Titanium Element Export (50 Hz): Low Flow 2.7 kW with Titanium Element	
Electrical Requirements:	North America (60 Hz): 240 VAC@40A or 50A; Export (50 Hz): 230-240 VAC@1x25A, 2x16A (see manual for more configurations); or Suitably Rated Circuit Breaker to Comply with Local Electrical Regulations. Certain Countries May Require Dual Power Inputs; Two GFCI/RCD Breakers are Required for This Configuration.	
Limited Warranty*:	North America (60 Hz): 10 Years Shell, 7 Years Shell Surface, 5 Years Plumbing Component Leaks, 5 Years Equipment and Controls, 5 Years Cabinet, 5 Years Jets, 2 Years Lights, 1 Year Stereo Export (50 Hz): 10 Years Shell, 7 Years Shell Surface, 5 Years Plumbing Component Leaks, 5 Years Equipment and Controls, 5 Years Cabinet, 5 Years Jets, 2 Years Lights, 2 Years Stereo	
Waterfall Feature:	Adjustable Flow Rate; Colored Lighting	
Audio System (Optional):	Factory Installed BLUEWAVE® 2.0 Wireless Spa Stereo System with Auxiliary 3.5 mm headphone jack connection, Bluetooth® compatible, 4 premium speakers and a powered subwoofer	
Special Features:	MicroClean® Plus Versatile Filter Lid, Optional Filter Lid Pillow seat, Optional (Factory Installed) SmartTub™ Module - North American only	

*(See Warranty Document for Specific Details)

Dimensions/Specifications Subject To Change Without Notice

Sundance Spas 880 Capri

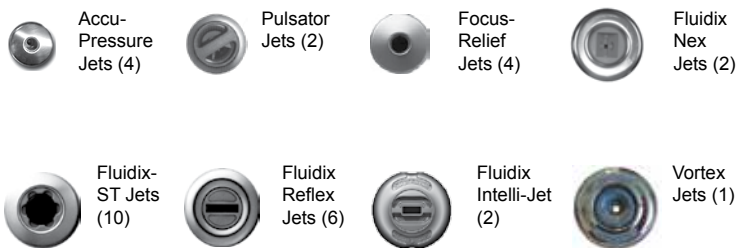
Operation/Seat Depths



- (A)** Air Control - Activates Seat A Jets (6 Fluidix Reflex, 2 Pulsator, 4 Focus Relief, 4 Accu-Pressure)
- (B)** Massage Selector - Adjusts Massage Level Between Seat A Jets and Seat C Jets + Seat B Jets
- (C)** Air Control - Activates Seat B Jets (2 Fluidix Nex, 10 Fluidix-ST) and Seat C Jets (1 Vortex, 2 Fluidix Intelli-Jet)
- (D)** Waterfall Selector [8-Hour Circ. Pump] - Controls Waterfall Output
- (E)** Sunscnt Dispenser

- Focus-Relief Jets: Work with both the blower and Jets Pump 2. The blower introduces air to the jet and the Jets Pump forces water through.

31 Total Jets



Spa Operation Subject To Change Without Notice

SEAT DEPTHS

- A = 24.25" (61.60 cm)**
- B = 26.38" (66.99 cm)**
- C = 25.75" (65.41 cm)**
- D = 26.88" (68.26 cm)**

Listed dimensions represent distance from top of acrylic to lowest point in seat. **Tolerance ± 0.5" (1.27 cm).**

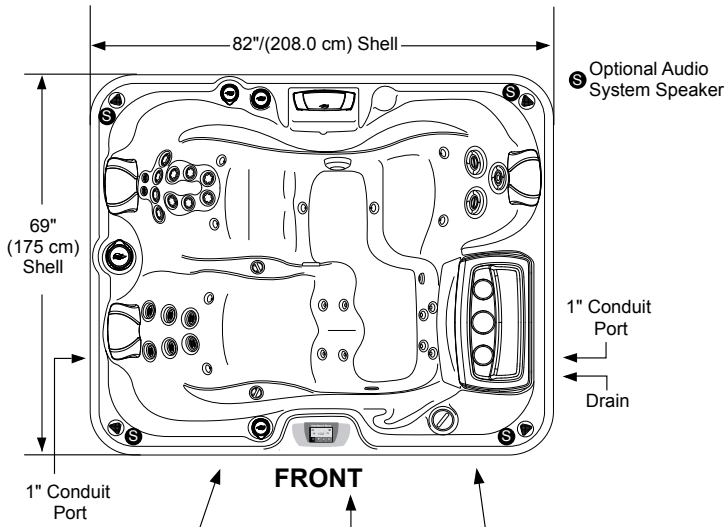


Dimensions/Specifications Subject To Change Without Notice

Sundance Spas 880 Capri

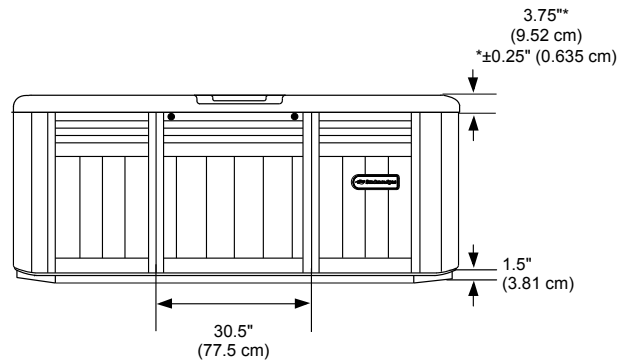
Portable Dimensions

TOP VIEW



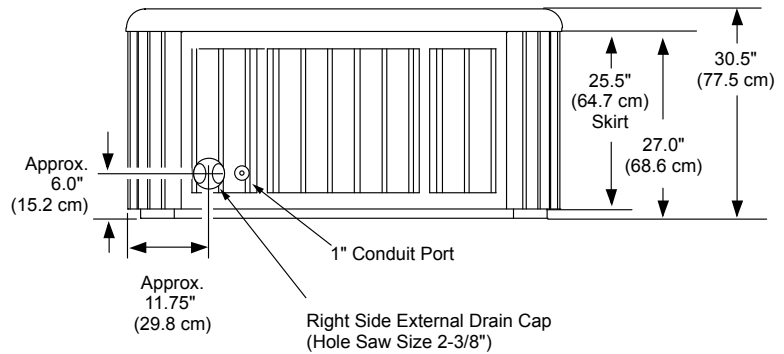
FRONT/BACK VIEW

Tolerance: $\pm 0.5"$ (1.27 cm)

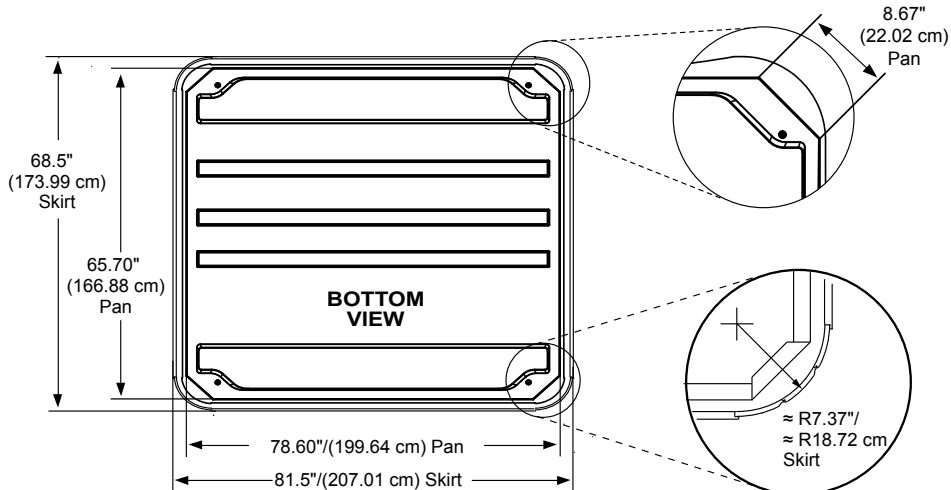


LEFT/RIGHT SIDE VIEW

Tolerance: $\pm 0.5"$ (1.27 cm)



IMPORTANT! Always measure each hot tub for exact dimensions BEFORE designing its foundational support and/or decking.



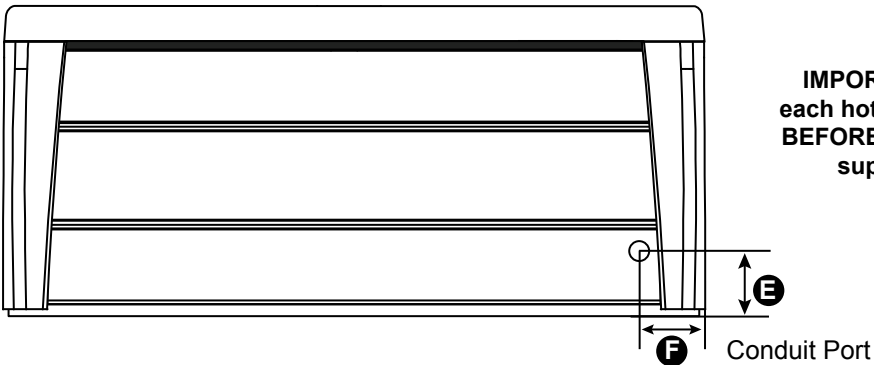
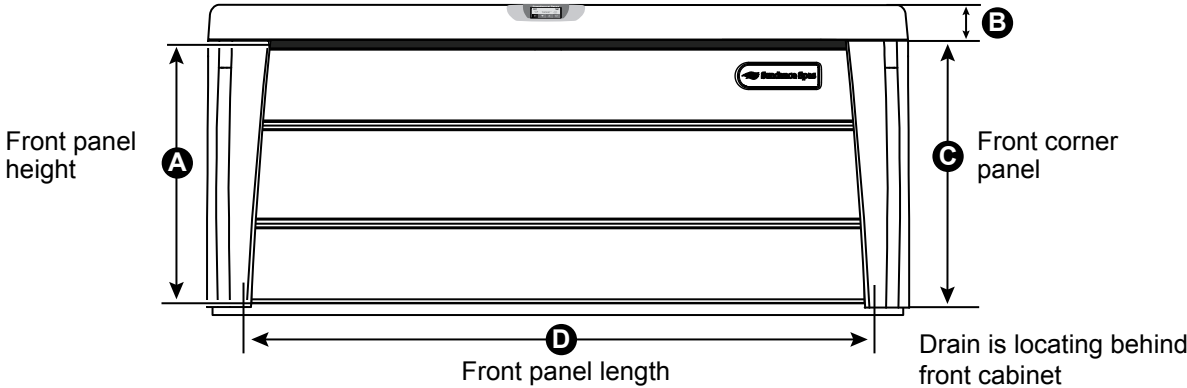
Dimensions/specifications subject to change without notice. Tolerance: $\pm 0.5"$ (1.27 cm)

Dimensions/Specifications Subject To Change Without Notice

SunSide™ Dimensions

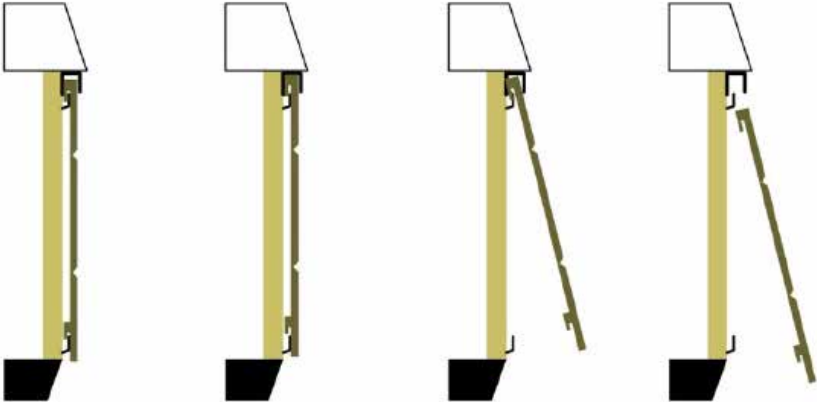
Spa Models	DIMENSIONS A-F (All measurements are an approximate)					
	A	B*	C	D	E	F
Optima	32.25" (81.92 cm)	3.75" (9.52 cm)	32.75" (83.19 cm)	73.0" (185.42 cm)	6.0" (15.24 cm)	5.0" (12.70 cm)
Cameo	32.25" (81.92 cm)		32.75" (83.19 cm)	73.0" (185.42 cm)		
Altamar	32.25" (81.92 cm)		32.75" (83.19 cm)	64.75" (164.47 cm)		
Cambria	28.70" (72.90 cm)		29.20" (74.17 cm)	59.75" (151.77 cm)		
Marin	28.70" (72.90 cm)		29.20" (74.17 cm)	59.75" (151.77 cm)		
Capri	25.25" (64.14 cm)		25.75" (65.41 cm)	65.75" (167.01 cm)		
		*±0.25" (0.635 cm)				

- Dimensions Subject to Change Without Notice -



IMPORTANT! Always measure each hot tub for exact dimensions **BEFORE** designing its foundation support and/or decking.

Dimensions/specifications subject to change without notice. Tolerance: ± 0.5" (1.27 cm)



An 18" clearance, all around the spa, is recommended. This clearance is needed for panel removal or when servicing.

Dimensions/Specifications Subject To Change Without Notice

Denne modellen kan kobles med 1-fas 230V C-sikring (treg) og 3-fas (400 volt TN-nett - se egne linjer)

880-serien:

Capri:	For å få mest mulig glede av badet anbefaler vi høyeste kurs for optimal drift.			
	Type varmeelement	Alternativ tilkobling	Funksjon	Kretskortinnstillinger
Capri	5,5 kW	3-fas (400 volt TN-nett) 25 amp	Varmeelement og pumper kan brukes samtidig	Se brukermanual.
Capri	5,5 kW	40 amp eller 16 + 25 amp	Varmeelement og pumper kan brukes samtidig	Se brukermanual.
Capri	5,5 kW	25 amp	Begge pumpene kan brukes samtidig. Varmeelementet slår seg automatisk av når pumpene startes.	Se brukermanual.
Capri	2,7 kW	3-fas (400 volt TN-nett) 16 amp	Varmeelement og pumper kan brukes samtidig	Se brukermanual.
Capri	2,7 kW	25 amp eller 16 + 16 amp	Varmeelement og pumper kan brukes samtidig	Se brukermanual.
Capri	2,7 kW	16 amp	Varmeelementet slår seg av når pumpene startes.	Se brukermanual.