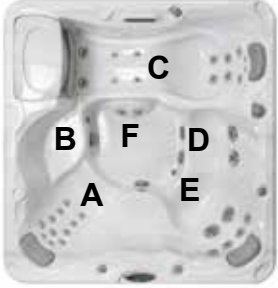


2016 Sundance Spas 780 Certa®

Specifications

Dimensions:	81" x 86" x 36" (206 cm x 218.5 cm x 91.44 cm)	
Seating Capacity:	5-6 Adults	
Dry Weight:	797 lbs (362 kg)	
Filled Weight (Spa Volume):	4,467 lbs (2,026 kg)	
Filled Weight (Average Fill):	3,833 lbs (1,739 kg)	
Water Capacity (Spa Volume):	440 US Gal (1,666 Liters)	
Water Capacity (Average Fill):	364 US Gal (1,378 Liters)	
Controls:	780 Series Solid-State Electronic Controls with LED Readout, Programmable Water Temperature, Filtration, and Heat Cycles	
Water Delivery:	2 High Flow Pump	
Pump 1:	North America (60 Hz): 2-Speed/2.5 HP Continuous, 12.0A Max., 56 Frame Export (50 Hz): 2-Speed/2.0 HP Continuous, 8.0A Max.	
Pump 2:	North America (60 Hz): 1-Speed/2.5 HP Continuous, 11A Max., 56 Frame Export (50 Hz): 1-Speed/2.0 HP Continuous, 7.0A Max.	
Pump 3:	8-Hour Filter/Circulation Pump; High Output Flow	
Total Hydrojets:	35	
Seat A Jets :	2 SMT Micro, 9 Accu-Pressure	
Seat C Jets:	6 SMT Micro, 2 Mini Vortex, 6 SMT Fluidix	
Seat D Jets:	2 Vortex	
Seat E Jets:	4 Mini Vortex, 2 Vortex	
Footwell Jets (F):	2 Mini Vortex	
Air Controls/Massage Selectors:	3/1	
Filter:	MicroClean® I Filtration System with Floating Weir, 125 ft ² combined filtration, (1 pleated and 1 spun-bound cartridge)	
Water Treatment:	8-Hour Circulation Pump; Factory installed CLEARRAY® Water Purification System	
Lighting:	Standard Multi-Colored SunRay LED Light; 6 LED Pin Lights	
Synthetic Cabinet:	Available in Coastal, Mahogany, Autumn Walnut	
Shell Colors:	North America: Platinum, Celestite (Gypsum), Sahara, Oyster (Opal), Copper Sand, Monaco, Midnight, Caribbean Surf, Sandstone, Porcelain Export (50 Hz): All North America Colors	
Handrails:	N/A	
Headrests:	Three, 1-Piece Gray	
Heater:	North America (60 Hz): 5.5 kW, Low Flow Export (50 Hz): Low Flow, 2.7 kW	
Electrical Requirements:	North America (60 Hz): 240 VAC@40A, 50A, or 60A; Export (50 Hz): 230-240 VAC@20A, 30A, or 40A; or Suitably Rated Circuit Breaker to Comply with Local Electrical Regulations. Certain Countries May Require Dual Power Inputs; Two GFCI/RCD Breakers are Required for This Configuration.	
Limited Warranty*:	North America (60 Hz): 10 Years Shell, 7 Years Shell Surface, 5 Years Plumbing Component Leaks, 5 Years Equipment and Controls, 5 Years Cabinet, 2 Years Jets, 2 Years Lights, 1 Year Stereo Export (50 Hz): 10 Years Shell, 7 Years Shell Surface, 2 Years Plumbing Component Leaks, 2 Years Equipment and Controls, 2 Years Cabinet, 2 Years Jets, 2 Years Lights, 2 Years Stereo	
Waterfall Feature:	On/Off Flow Rate on when circulation pump is running; Colored Lighting	
Audio System (Optional):	Optional Factory Installed BLUEWAVE® Spa Stereo System with Wireless Remote Control, Auxiliary 3.5 mm headphone jack connection, USB connection, FM radio, Bluetooth® compatible and integrated docking station	
Cover:	6476-004G (Coastal); 6476-004M (Duetta)	

*(See Warranty Document for Specific Details)

Dimensions/Specifications Subject To Change Without Notice

2016 Sundance Spas 780 Certa

Operation/Seat Depths



- (A) Air Control - Activates Seat A Jets (2 SMT Micro, 9 Accu-Pressure) + Footwell Jets (2 Mini Vortex) + Seat D Jets (2 Vortex)
- (B) Air Control - Seat C Jets (6 SMT Micro, 2 Mini Vortex, 6 SMT Fluidix)
- (C) Massage Selector [Pump 1]- Adjusts Massage Level Between Seat C Jets + Seat E Jets
- (D) Air Control - Activates Seat E Jets (4 Mini Vortex, 2 Vortex)
- (E) Waterfall Selector [8-Hour Circ. Pump] - Controls Waterfall Output

• Jets Pump 2: Seat A Jets + Seat D Jets + Footwell Jets are always on when this pump is running

35 Total Jets (Stainless Steel Escutcheons Standard)



Spa Operation Subject To Change Without Notice

SEAT DEPTHS

A = 27.00" (68.58 cm)
B = 20.00" (50.80 cm)
C = 24.50" (62.23 cm)
D = 27.00" (68.58 cm)

E = 27.50" (69.85 cm)
F = 18.25" (46.36 cm)
G = 32.00" (81.28 cm)

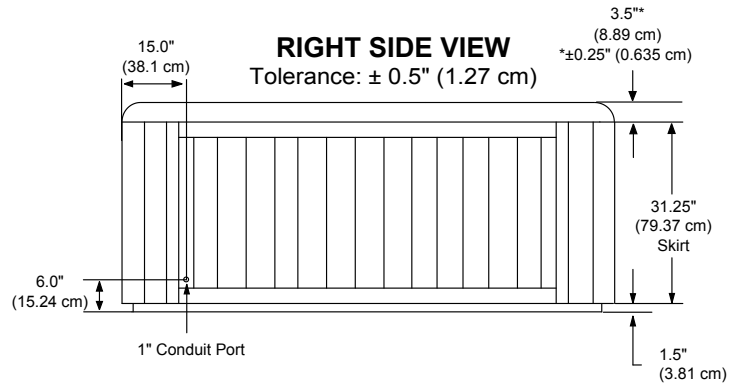
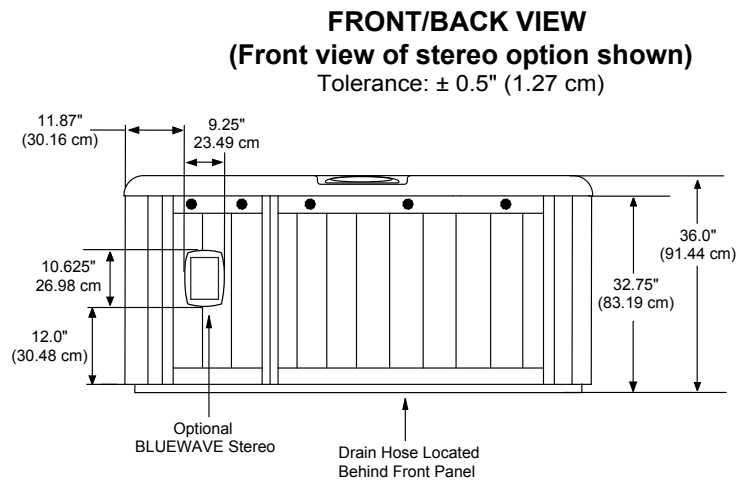
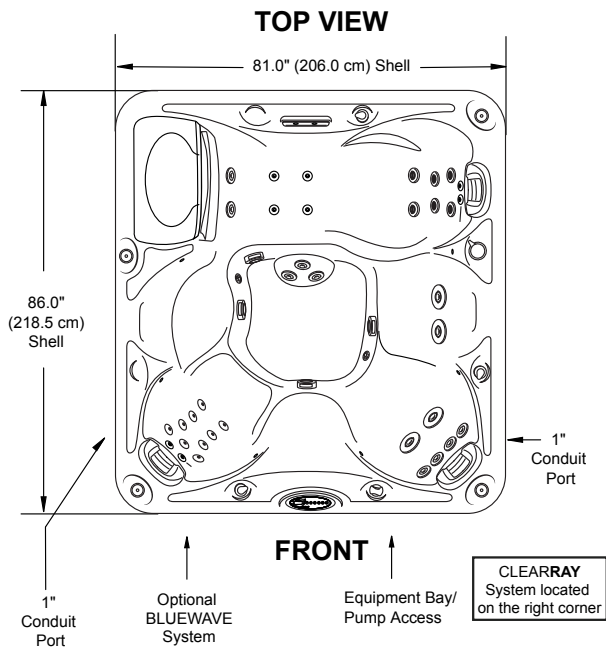
Listed dimensions represent distance from top of acrylic to lowest point in seat. **Tolerance ± 0.5" (1.27 cm).**



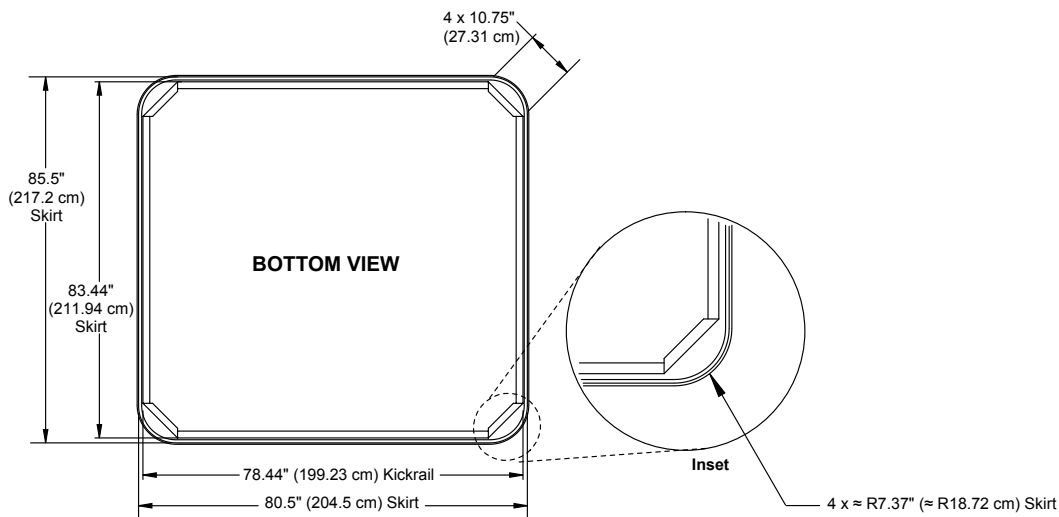
Dimensions/Specifications Subject To Change Without Notice

2016 Sundance Spas 780 Certa

Portable Dimensions



IMPORTANT! Always measure each hot tub for exact dimensions BEFORE designing its foundational support and/or decking.



Dimensions/specifications subject to change without notice. Tolerance: $\pm 0.5"$ (1.27 cm)

Dimensions/Specifications Subject To Change Without Notice