

A

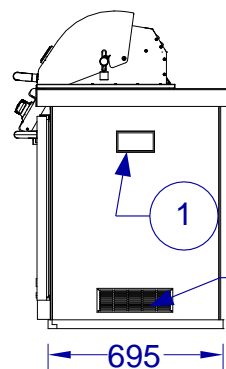
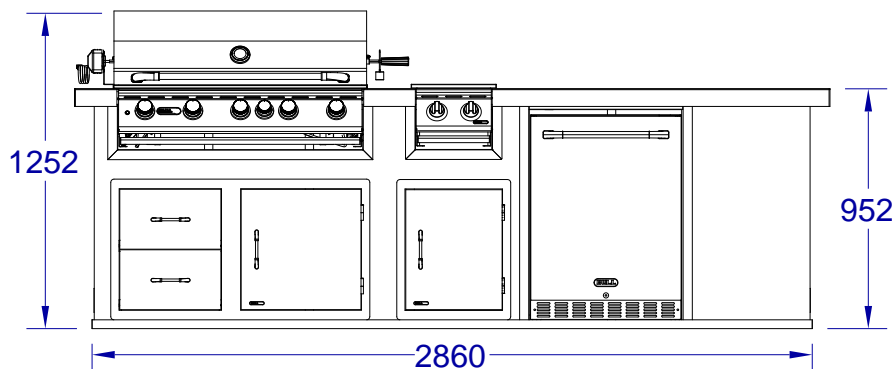
B

C

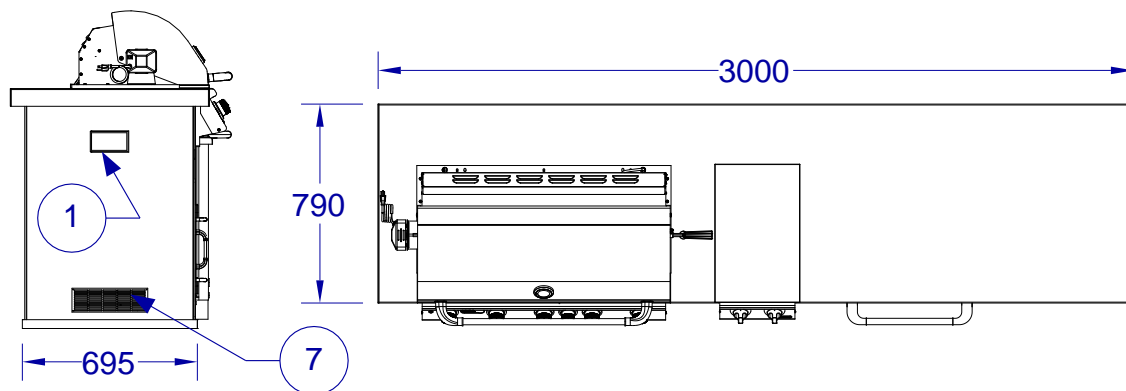
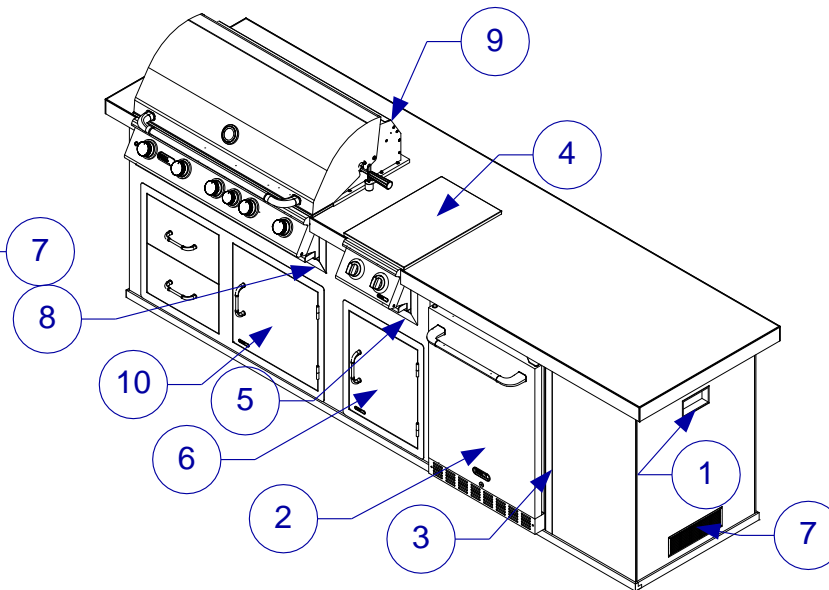
D

E

F



REVISION HISTORY				
ZONE	REV	DESCRIPTION	DATE	APPROVED



CLIENT NAME: SUNDANCE

APPROVAL SIGNATURE: \_\_\_\_\_ / \_\_\_\_\_ / \_\_\_\_\_

DATE OF APPROVAL: \_\_\_\_\_ / \_\_\_\_\_ / \_\_\_\_\_

EXPECTED DATE OF SHIPMENT: \_\_\_\_\_ / \_\_\_\_\_ / \_\_\_\_\_

MAXIMUM DATE OF SHPMENT: 2WEEKS

Item No.	Part Number	Qty	Description
1	#69739	2	ELECTRICAL BOX
2	#13700	1	S/S PREMIUM OUTDOOR REFRIGERATOR SERI
3	#13900	1	S/S PO REFRIGERATOR FRAME 13900
4	#30009CE	1	S/S SLIDE IN DOUBLE SIDEBURNER
5	#93007	1	S/S 340 MM FINISHING FRAME
6	#89975	1	S/S RIGHT SWING VERTICAL DOOR
7	#42500	2	S/S NEW AIR VENT
8	#58726	1	S/S BRAHMA FINISHING FRAME
9	#57568/9CE	1	S/S BRAHMA GRILL
10	#55875	1	S/S 97 cm DOOR/DRAWER COMBO

A4

ISO E

IronCAD  
2D drawing  
3D file available

Scale:  
1:30



General  
Tolerances acc to:  
ISO 2768-1  
medium

File Name:  
LAYOUT - SUNDANCE - BRAMAH-  
ODK (3Mtrs)-DISPLAY0.icd

Drawn by: ...  
Checked by: ...  
Approved by: ...

Last saved:  
14/12/2018 09:54

Created Date:



**Description**  
SUNDANCE - BRAMAH-ODK  
(3Mtrs)-DISPLAY0

Sheet No: 1 (1) ...  
Rev. ...  
Doc. No: ODK