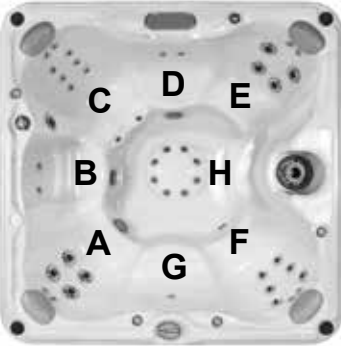


Sundance Spas 680 McKinley™

Specifications

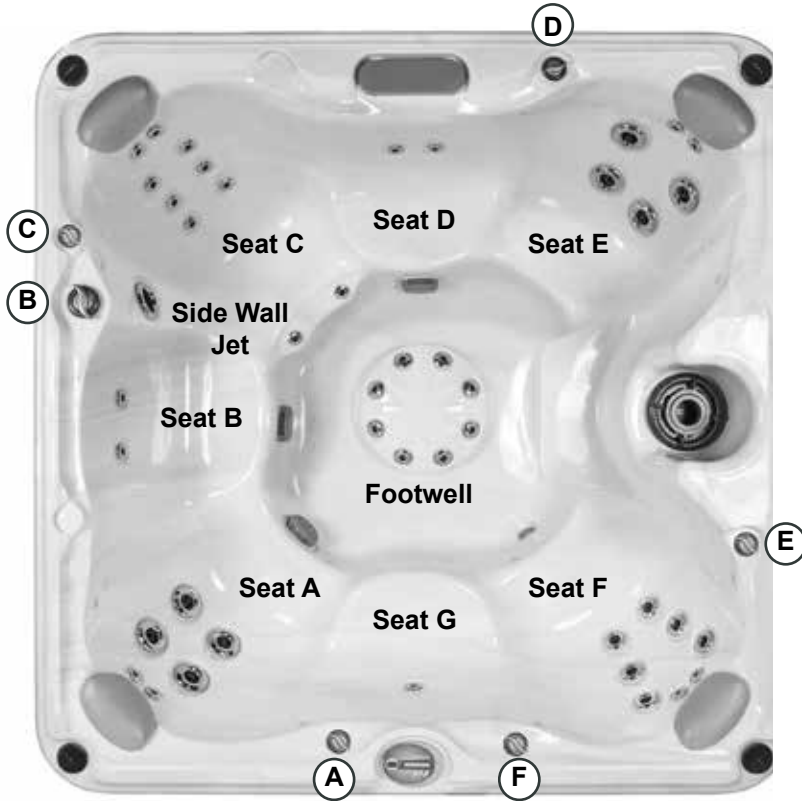
Dimensions:	89" x 89" x 36" (226 cm x 226 cm x 91.44 cm)	
Seating Capacity:	6-7 Adults	
Dry Weight:	778 lbs (353 kg)	
Filled Weight (Spa Volume):	5,115 lbs (2,320 kg)	
Filled Weight (Average Fill):	4,197 lbs (1,904 kg)	
Water Capacity (Spa Volume):	520 US Gal (1,968 Liters)	
Water Capacity (Average Fill):	410 US Gal (1,552 Liters)	
Controls:	Solid-State Electronic Controls with LCD Readout, Programmable Water Temperature, Filtration, and Heat Cycles	
Water Delivery:	2 High Flow Pumps	
Pump 1:	North America (60 Hz): 2-Speed/2.5 HP Continuous, 11.0A Max., 56 Frame Export (50 Hz): 2-Speed/2.0 HP continuous, 8.0A max.	
Pump 2:	North America (60 Hz): 1-Speed/2.5 HP Continuous, 10.0A Max., 56 Frame Export (50 Hz): 1-Speed/2.0 HP continuous, 8.0A max.	
Optional Pump 3:	N/A	
Total Hydrojets:	44	
Seat A Jets:	2 DX, 2 DVX, 2 DVR	
Seat B Jets:	2 DL	
Seat C Jets:	4 DX, 6 DL, 1 DST (Sidewall)	
Seat D Jets:	2 DL	
Seat E Jets:	2 DX, 4 DVR	
Seat F Jets:	2 DX, 6 DXL	
Seat G Jet:	1 DL	
Footwell Jets (H):	8 DL	
Air Controls/Massage Selectors:	4/1	
Filter:	50 ft ² Filter Cartridge System	
Water Treatment:	Factory installed CLEARRAY® Water Purification System	
Lighting:	CL LED Lighting System (Interior Surround)	
Synthetic Cabinet:	Available in Coastal, Mahogany, Autumn Walnut	
Shell Colors:	North America: Platinum, Celestite (Gypsum), Sahara, Oyster (Opal), Copper Sand, Monaco, Midnight, Caribbean Surf, Sandstone, Porcelain Export (50 Hz): All North America Colors	
Headrests:	Four, 1-Piece Gray	
Heater:	North America (60 Hz): 5.5 kW, 240V High Flow Standard Export (50 Hz): 2.7 kW High Flow Standard	
Electrical Requirements:	240 VAC, 60 Hz@40A, 50A or 60A Export (50 Hz): 230-240 VAC@1x20A, 1x16A/1x20A or 3x16A (see manual for more configurations); or Suitably Rated Circuit Breaker to Comply with Local Electrical Regulations. Certain Countries May Require 2 Power Inputs; Two GFCI/RCD Breakers are Required for This Configuration.	
Limited Warranty*	North America (60 Hz): 5 Years Shell, 3 Years Shell Surface, 3 Years Equipment and Controls, 3 Years Plumbing Component Leaks, 1 Year Cabinet, 1 Year Jets, 1 Year Stereo Export (50 Hz): 5 Years Shell, 3 Years Shell Surface, 3 Years Plumbing Component Leaks, 3 Years Equipment and Controls, 1 Year Cabinet, 1 Year Jets, 2 Years Stereo	
Waterfall Feature:	Variable Valve Control	
Audio System (Optional):	Factory Installed BLUEWAVE® Spa Stereo System (Bluetooth®/Aux compatible only) with four speakers	
Special Features (Optional):	Factory Installed SmartTub™ module	

*(See Warranty Document for Specific Details)

Dimensions/Specifications Subject To Change Without Notice

Sundance Spas 680 McKinley

Operation/Seat Depths



- (A)** Air Control - Activates Seat A Jets (2 DX, 2 DVR, 2 DVX) + Seat B Jets (2 DL) + Side Wall Jet (1 DST) + Seat G Jet (1 DL) + Footwell Jets (2 DL)
- (B)** Massage Selector [Pump 1]- Adjusts Seat A Jets + Seat B Jets + Seat G + Side Wall Jet + 2 Footwell Jets and Seat C Jets + 2 Footwell Jets
- (C)** Air Control - Activates Seat C Jets (4 DX, 6 DL) + Footwell Jets (2 DL)
- (D)** Air Control - Activates Seat D Jets (2 DL) + Seat E Jets (2 DX, 4 DVR) + Footwell Jets (2 DL)
- (E)** Air Control - Activates Seat F Jets (2 DX, 6 DXL) + Footwell Jets (2 DL)
- (F)** Waterfall Selector [Pump 1] - Controls Waterfall Output

- Jets Pump 1: Powers Seat A Jets + Seat B Jets + Side Wall Jet + Seat C Jets + Seat G Jet + 4 Footwell Jets when running

- Jets Pump 2: Powers Seat D Jets + Seat E Jets + Seat F Jets + 4 Footwell Jets when running

44 Total Jets



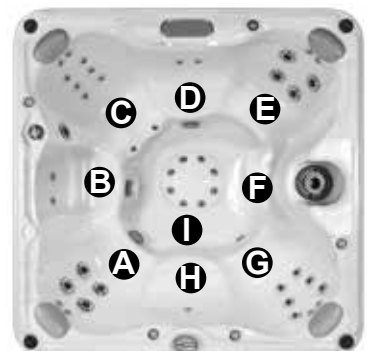
Spa Operation Subject To Change Without Notice

SEAT DEPTHS

A = 25.50" (64.77 cm)
B = 25.00" (63.50 cm)
C = 26.50" (67.31 cm)
D = 22.25" (56.52 cm)
E = 25.75" (65.41 cm)
F = 20.50" (52.07 cm)

G = 26.63" (67.63 cm)
H = 16.63" (42.23 cm)
I = 31.50" (80.01 cm)

Listed dimensions represent distance from top of acrylic to lowest point in seat. **Tolerance ± 0.5" (1.27 cm).**

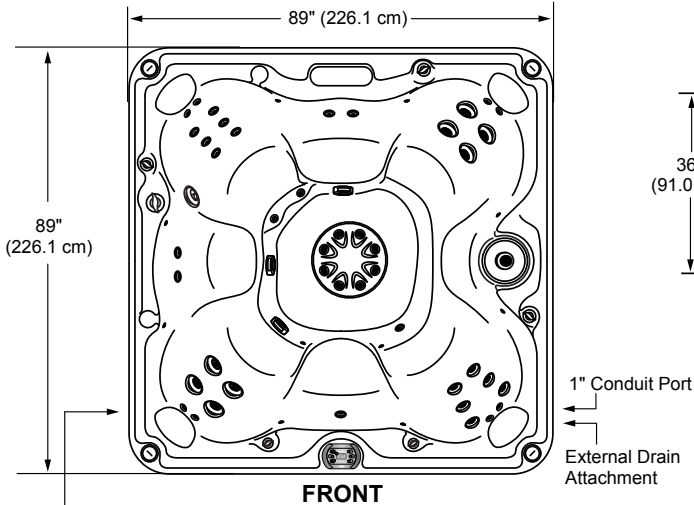


Dimensions/Specifications Subject To Change Without Notice

Sundance Spas 680 McKinley

Portable Dimensions

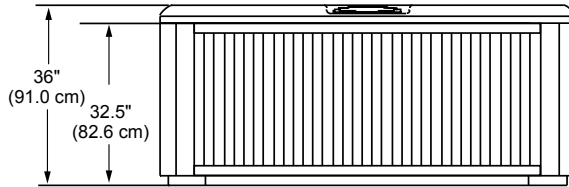
TOP VIEW



Equipment Bay/Pump Access/
Optional BLUEWAVE Stereo
CLEARARRAY System located
behind the front panel

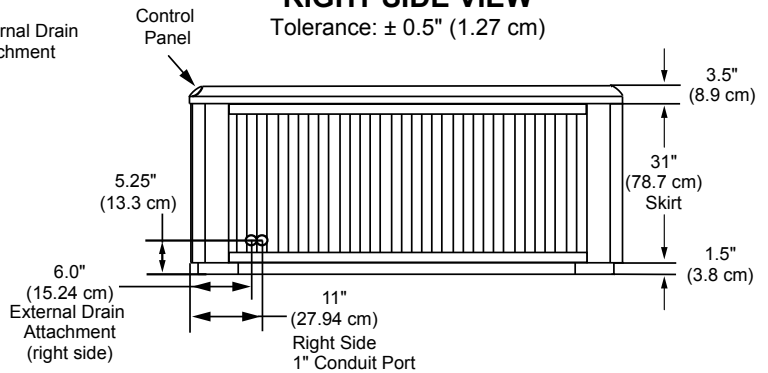
FRONT VIEW

(Front view with stereo option shown)
Tolerance: $\pm 0.5"$ (1.27 cm)

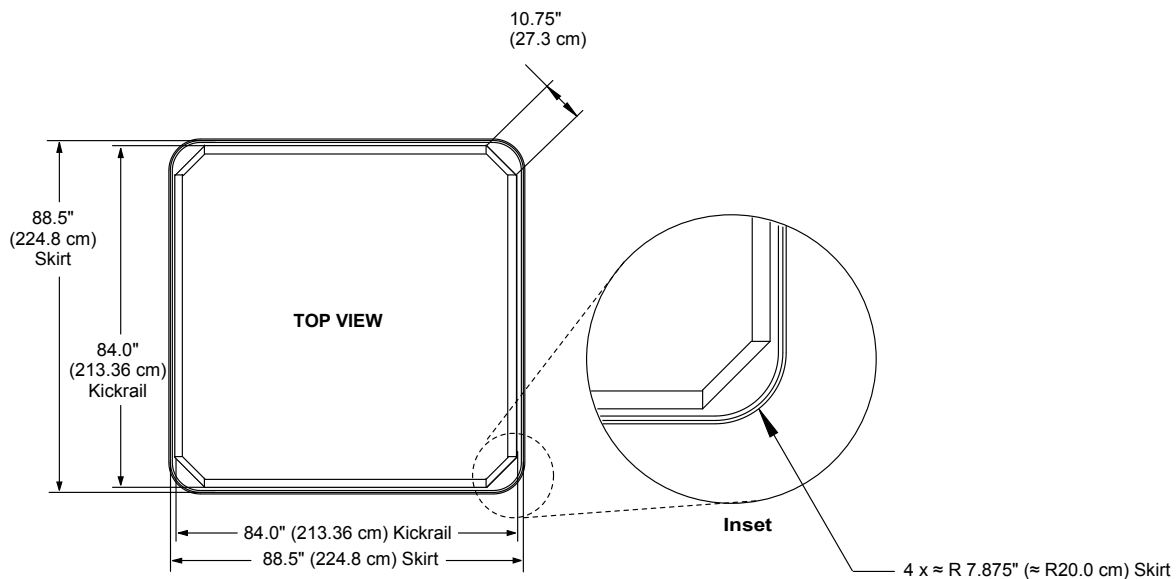


RIGHT SIDE VIEW

Tolerance: $\pm 0.5"$ (1.27 cm)



IMPORTANT! Always measure each hot tub for exact dimensions BEFORE designing its foundational support and/or decking.



Dimensions/Specifications Subject To Change Without Notice

Denne modellen kan kobles med 1-fas 230V C-sikring (treg) og 3-fas (400 volt TN-nett - se egne linjer)

680-serien:

McKinley:	For å få mest mulig glede av badet anbefaler vi høyeste kurs for optimal drift.			
	Type varmeelement	Alternativ tilkobling	Funksjon	Kretskortinnstillinger
McKinley	5,5 kW	3-fas (400 volt TN-nett) 25 amp	Varmeelement og pumper kan brukes samtidig	Se brukermanual.
McKinley	5,5 kW	40 amp eller 16 + 25 amp	Varmeelement og pumper kan brukes samtidig	Se brukermanual.
McKinley	5,5 kW	32 amp	Varmeelementet slår seg av når pumpene settes på høy hastighet. Pumpe 2 har bare høy hastighet.	Se brukermanual.
McKinley	2,7 kW	3-fas (400 volt TN-nett) 16 amp	Varmeelement og pumper kan brukes samtidig	Se brukermanual.
McKinley	2,7 kW	32 amp eller 16 + 16 amp	Varmeelement og pumper kan brukes samtidig	Se brukermanual.
McKinley	2,7 kW	20 amp	Varmeelementet slår seg av når pumpene settes på høy hastighet. Pumpe 2 har bare høy hastighet.	Se brukermanual.