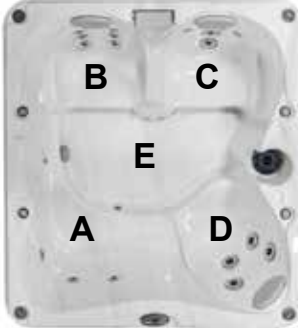


# Sundance Spas 680 Prado™

## Specifications

<b>Dimensions</b> .....	84" x 76" x 34.5" (213 cm x 193 cm x 87 cm)	
<b>Seating Capacity</b> .....	4-5 Adults	
<b>Dry Weight</b> .....	562 lbs (255 kg)	
<b>Filled Weight (Spa Volume)</b> .....	4,219 lbs (1,914 kg)	
<b>Filled Weight (Average Fill)</b> .....	3,517 lbs (1,596 kg)	
<b>Water Capacity (Spa Volume)</b> .....	438 US gallons (1,659 Liters)	
<b>Water Capacity (Average Fill)</b> .....	354 US gallons (1,340 Liters)	
<b>Electronic Controls</b> .....	Solid state electronic controls with LCD readout, programmable temperature, filtration, and heat cycles	
<b>Pump 1</b> .....	North America (60 Hz): 2-Speed, 2.5 HP brake, 1.5 HP continuous, 48 Frame <b>Export (50 Hz): 2-Speed, 2.0 HP continuous</b>	
<b>Total Hydrojets:</b> .....	<b>23</b>	
<b>Seat A Jets:</b> .....	3 DXL	
<b>Seat B Jet:</b> .....	6 DXL	
<b>Seat C Jets:</b> .....	4 DX, 2 DVX	
<b>Seat D Jet:</b> .....	4 DVR	
<b>Foot Well Jets (E):</b> .....	4 DL	
<b>Air Controls/Massage Selectors:</b> ...	4 Air Control; No Massage Selector	
<b>Filter:</b> .....	50 ft² Filter Cartridge System	
<b>Water Treatment:</b> .....	Factory installed CLEARRAY® Water Purification System	
<b>Lighting:</b> .....	6 LED bullet lights (4 above water; 2 underwater)	
<b>Synthetic Cabinet:</b> .....	Available in Coastal, Mahogany, Autumn Walnut	
<b>Shell Colors:</b> .....	North America: Platinum, Celestite (Gypsum), Sahara, Oyster (Opal), Copper Sand, Monaco, Midnight, Caribbean Surf, Sandstone, Porcelain <b>Export (50 Hz): All North America colors</b>	
<b>Headrest:</b> .....	Three, 1-piece gray	
<b>Heater:</b> .....	North America (60 Hz): High Flow, 1 kW@120 VAC or Convertible to 4 kW@240 VAC; <b>Export (50 Hz): High Flow, 2.7 kW</b>	
<b>Electrical Requirements:</b> .....	North America Convertible Model (60 Hz): 120 VAC@15A with Supplied GFCI Cord or 240 VAC@30A or 40A (Hard Wired Only); <b>Export (50 Hz): 230-240 VAC@1x20A or 2x16A (see manual for more configurations); or Suitably Rated Circuit Breaker to Comply with Local Electrical Regulations. Certain Countries May Require 2 Power Inputs; Two GFCI/RCD Breakers are Required for This Configuration.</b>	
<b>Limited Warranty*:</b> .....	North America (60 Hz): 5 Years Shell, 3 Years Shell Surface, 3 Years Plumbing Component Leaks, 3 Years Equipment and Controls, 1 Year Cabinet, 1 Year Jets, 1 Year Stereo <b>Export (50 Hz): 5 Years Shell, 3 Years Shell Surface, 3 Years Plumbing Component Leaks, 3 Years Equipment and Controls, 1 Year Cabinet, 1 Year Jets, 2 Years Stereo</b>	
<b>Waterfall Feature:</b> .....	None	
<b>Audio System (Optional):</b> .....	Factory Installed BLUEWAVE® Spa Stereo System (Bluetooth®/Aux compatible only) with four speakers;	
<b>Special Features (Optional):</b> .....	Factory Installed SmartTub™ module	

\*(See Warranty Document for Specific Details)

Dimensions/Specifications Subject To Change Without Notice

# Sundance Spas 680 Prado

## Operation/Seat Depths



- (A)** Air control - Activates Seat A Jets (3 DXL) + Footwell Jets (2 DL)
- (B)** Air control - Activates Seat B Jets (6 DXL)
- (C)** Air Control - Activates Seat C Jets (4 DX, 2 DVX)
- (D)** Air Control - Activates Seat D Jets (4 DVR) + Footwell Jets (2 DL)

- Jets Pump 1: Powers All Jets + Waterfall when running

### 23 Total Jets

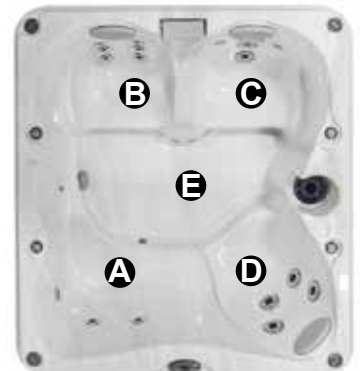


Spa Operation Subject To Change Without Notice

## SEAT DEPTHS

- A = 25.50" (64.7 cm)**
- B = 27.50" (69.9 cm)**
- C = 27.50" (69.9 cm)**
- D = 27.40" (69.6 cm)**
- E = 30.25" (76.8 cm)**

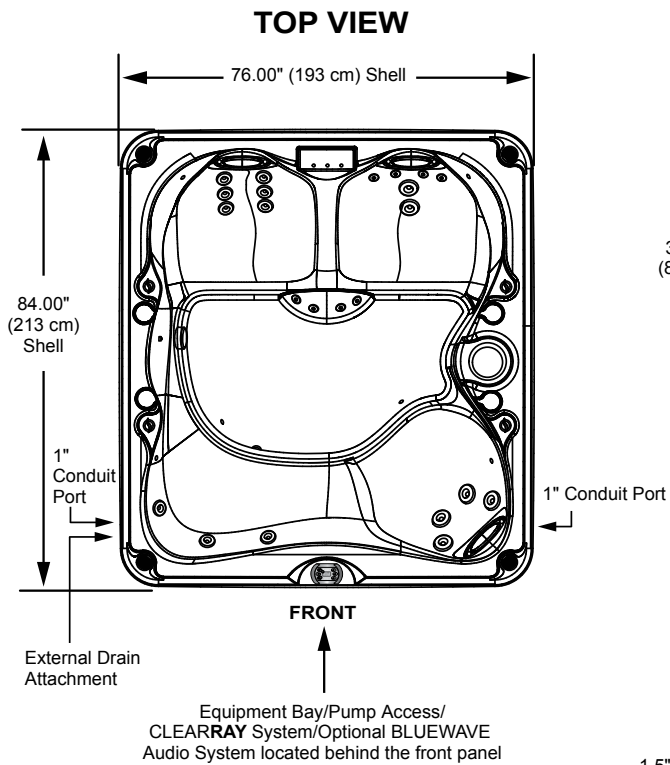
Listed dimensions represent distance from top of acrylic to lowest point in seat. Tolerance  $\pm 0.5"$  (1.27 cm).



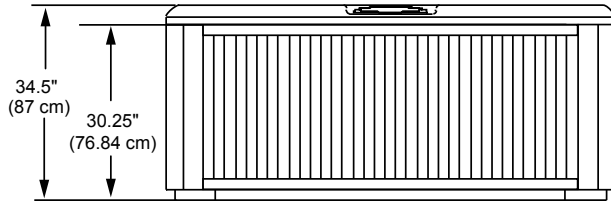
Dimensions/Specifications Subject To Change Without Notice

# Sundance Spas 680 Prado

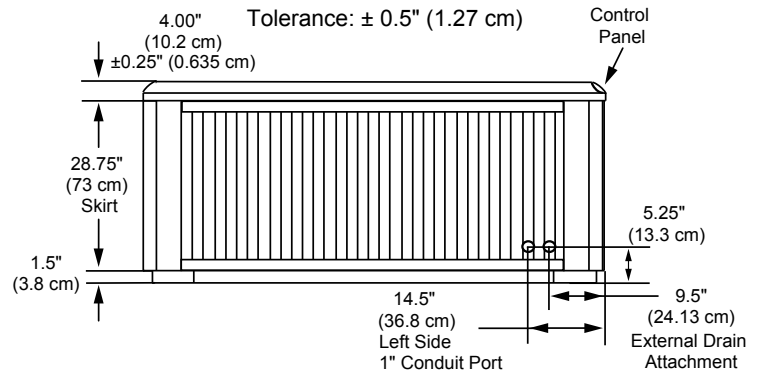
## Portable Dimensions



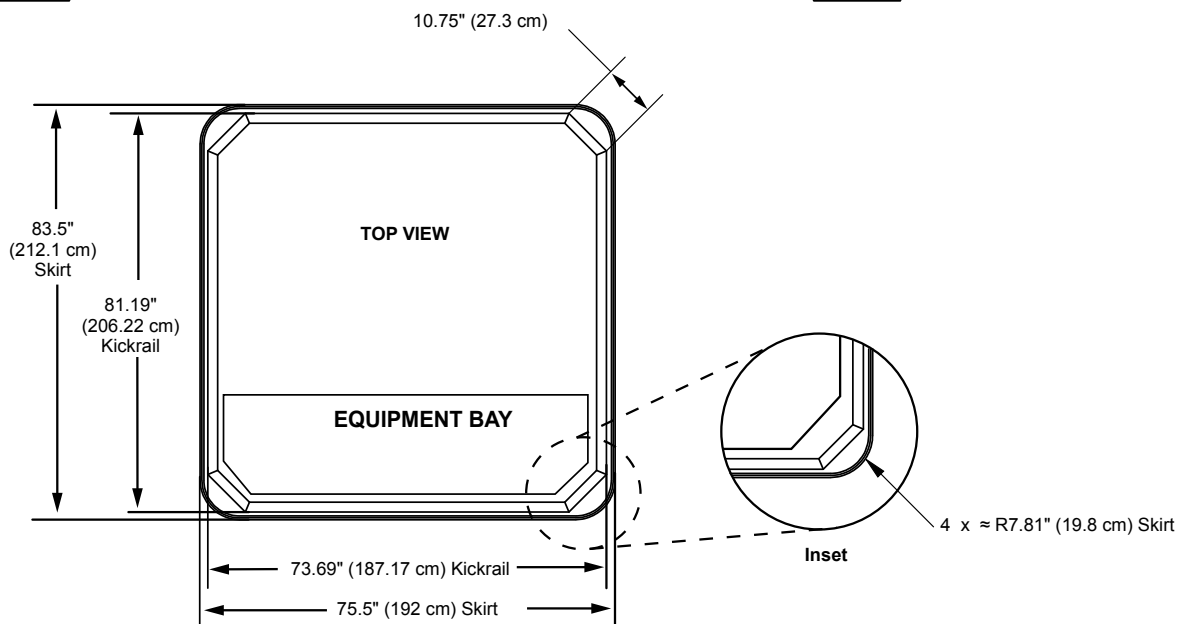
**FRONT VIEW**  
(Front view with stereo option shown)  
Tolerance:  $\pm 0.5"$  (1.27 cm)



**LEFT SIDE VIEW**  
Tolerance:  $\pm 0.5"$  (1.27 cm)



**IMPORTANT! Always measure each hot tub for exact dimensions BEFORE designing its foundational support and/or decking.**



Dimensions/Specifications Subject To Change Without Notice

Denne modellen kan kobles med 1-fas 230V C-sikring

**680-serien:**

<b>Prado</b>	For å få mest mulig glede av badet anbefaler vi høyeste kurs for optimal drift.			
	<b>Type varmeelement</b>	<b>Alternativ tilkobling</b>	<b>Funksjon</b>	<b>Kretskortinnstillinger</b>
Prado	5,5 kW	32 amp eller 10 + 25 amp	Varmeelement og pumper kan brukes samtidig	Se brukermanual.
Prado	2,7 kW	20 amp eller 13 + 10 amp	Varmeelement og pumper kan brukes samtidig	Se brukermanual.
Prado	2,7 kW	16 amp	Varmeelementet slår seg av når pumpene settes på høy hastighet.	Se brukermanual.