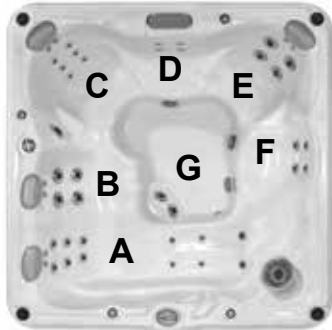


# Sundance Spas 680 Ramona™

## Specifications

<b>Dimensions:</b> .....	89" x 89" x 36" (226 cm x 226 cm x 91.44 cm)	
<b>Seating Capacity:</b> .....	5-6 Adults	
<b>Dry Weight:</b> .....	734 lbs (333 kg)	
<b>Filled Weight (Spa Volume):</b> .....	5,071 lbs (2,300 kg)	
<b>Filled Weight (Average Fill):</b> .....	4,153 lbs (1,884 kg)	
<b>Water Capacity (Spa Volume):</b> .....	520 US Gal (1,968 Liters)	
<b>Water Capacity (Average Fill):</b> .....	410 US Gal (1,552 Liters)	
<b>Controls:</b> .....	Solid-State Electronic Controls with LCD Readout, Programmable Water Temperature, Filtration, and Heat Cycles	
<b>Water Delivery:</b> .....	2 High Flow Pumps	
<b>Pump 1:</b> .....	North America (60 Hz): 2-Speed/2.5 HP Continuous, 11.0A Max., 56 Frame <b>Export (50 Hz): 2-Speed/2.0 HP continuous, 8.0A max.</b>	
<b>Pump 2:</b> .....	North America (60 Hz): 1-Speed/2.5 HP Continuous, 10.0A Max., 56 Frame <b>Export (50 Hz): 1-Speed/2.0 HP continuous, 8.0A max.</b>	
<b>Optional Pump 3:</b> .....	<b>N/A</b>	
<b>Total Hydrojets:</b> .....	<b>45</b>	
<b>Seat A Jets:</b> .....	2 DX, 8 DXL, 4 DV	
<b>Seat B Jets:</b> .....	2 DX, 2 DVX, 2 DVR	
<b>Seat C Jets:</b> .....	2 DX, 6 DL, 1 DST (Sidewall)	
<b>Seat D Jets:</b> .....	4 DL	
<b>Seat E Jets:</b> .....	2 DX, 4 DVR	
<b>Seat F Jets:</b> .....	4 DXL	
<b>Foot Well Jets (G):</b> .....	2 DVX	
<b>Air Controls/Massage Selectors:</b> .....	3/1	
<b>Filter:</b> .....	50 ft² Filter Cartridge System	
<b>Water Treatment:</b> .....	Factory installed CLEARRAY® Water Purification System	
<b>Lighting:</b> .....	CL LED Lighting System (Interior Surround)	
<b>Synthetic Cabinet:</b> .....	Available in Coastal, Mahogany, Autumn Walnut	
<b>Shell Colors:</b> .....	North America: Platinum, Celestite (Gypsum), Sahara, Oyster (Opal), Copper Sand, Monaco, Midnight, Caribbean Surf, Sandstone, Porcelain <b>Export (50 Hz): All North America Colors</b>	
<b>Headrest:</b> .....	Four, 1-Piece Gray	
<b>Heater:</b> .....	North America (60 Hz): 5.5 kW, High Flow Standard <b>Export (50 Hz): 2.7 kW, High Flow Standard</b>	
<b>Electrical Requirements:</b> .....	North America (60 Hz): 240 VAC, 60 Hz@40A, 50A or 60A; <b>Export (50 Hz): 230-240 VAC@1x20A or 1x32A, 2x16A or 1x16A/1x20A or 3x16A (see manual for more configurations); or Suitably Rated Circuit Breaker to Comply with Local Electrical Regulations. Certain Countries May Require 2 Power Inputs; Two GFCI/RCD Breakers are Required for This Configuration.</b>	
<b>Limited Warranty*:</b> .....	North America (60 Hz): 5 Years Shell, 3 Years Shell Surface, 3 Years Equipment and Controls, 3 Years Plumbing Component Leaks, 1 Year Cabinet, 1 Year Jets, 1 Year Stereo <b>Export (50 Hz): 5 Years Shell, 3 Years Shell Surface, 3 Years Plumbing Component Leaks, 3 Years Equipment and Controls, 1 Year Cabinet, 1 Year Jets, 2 Years Stereo</b>	
<b>Waterfall Feature:</b> .....	Variable Valve Control	
<b>Audio System (Optional):</b> .....	Factory Installed BLUEWAVE® Spa Stereo System (Bluetooth®/Aux compatible only) with four speakers	
<b>Special Features (Optional):</b> .....	Factory Installed SmartTub™ module	

\*(See Warranty Document for Specific Details)

Dimensions/Specifications Subject To Change Without Notice

# Sundance Spas 680 Ramona

## Operation/Seat Depths

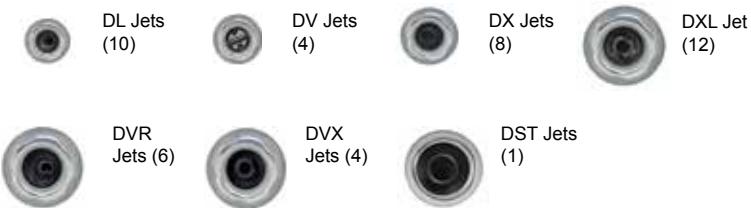


- (A)** Air Control - Activates Seat A Jets (2 DX, 8 DXL, 4 DV) + Seat B Jets (2 DX, 2 DVR, 2 DVX) + Seat F Jets (4 DXL)
- (B)** Massage Selector [Pump 1]- Adjusts Seat C Jets and Side Wall Jet + Seat D Jets + Seat E Jets
- (C)** Air Control - Activates Seat C Jets (2 DX, 6 DL)
- (D)** Air Control - Activates Side Wall Jet (1 DST) + Seat D Jets (4 DL) + Seat E Jets (2 DX, 4 DVR) + Footwell Jets (2 DVX)
- (E)** Waterfall Selector [Pump 1] - Controls Waterfall Output

- Jets Pump 1: Powers Seat C Jets + Side Wall Jet + Seat D Jets + Seat E Jets + Footwell Jets when running
- Jets Pump 2: Powers Seat A Jets + Seat B Jets + Seat F Jets

NOTE: Footwell Jets (2 DVX) are on at all times when jets pump 1 is running

### 45 Total Jets



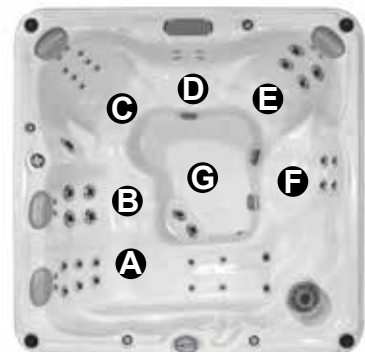
Spa Operation Subject To Change Without Notice

## SEAT DEPTHS

**A = 25.00" (63.50 cm)**  
**B = 24.50" (62.23 cm)**  
**C = 27.25" (69.22 cm)**  
**D = 22.13" (56.20 cm)**

**E = 26.75" (67.95 cm)**  
**F = 20.13" (51.12 cm)**  
**G = 32.00" (81.28 cm)**

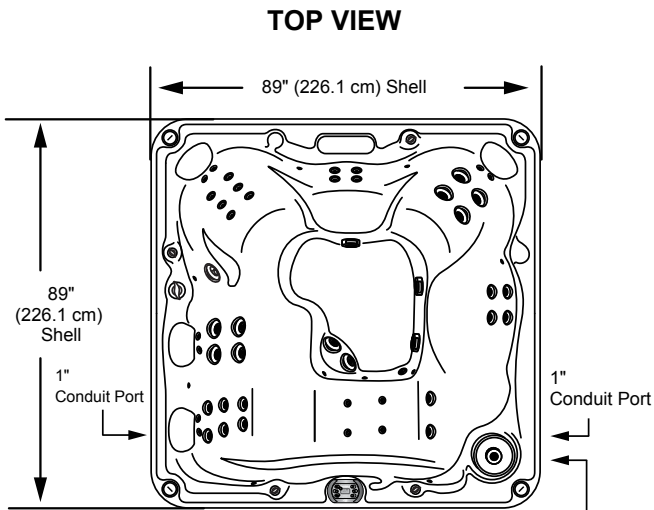
Listed dimensions represent distance from top of acrylic to lowest point in seat. **Tolerance ± 0.5" (1.27 cm).**



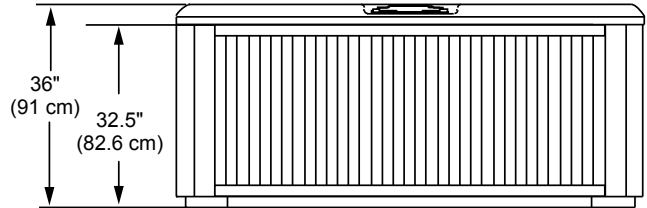
Dimensions/Specifications Subject To Change Without Notice

# Sundance Spas 680 Ramona

## Portable Dimensions



**FRONT VIEW**  
(Front view with stereo option shown)  
Tolerance:  $\pm 0.5"$  (1.27 cm)

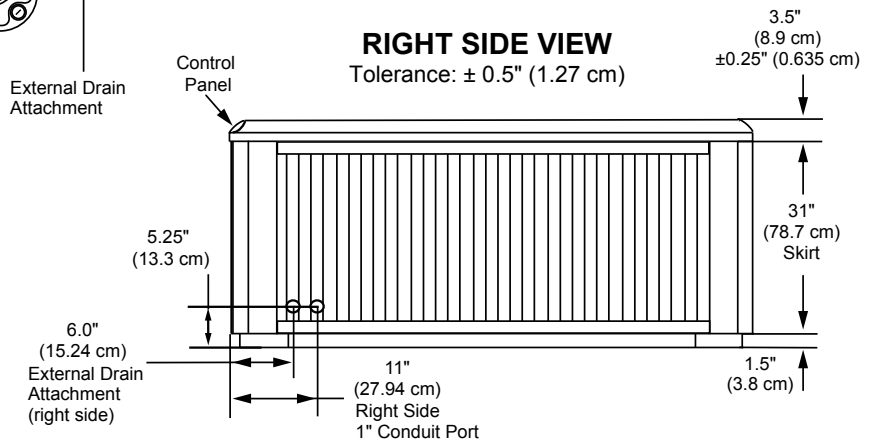


**FRONT**

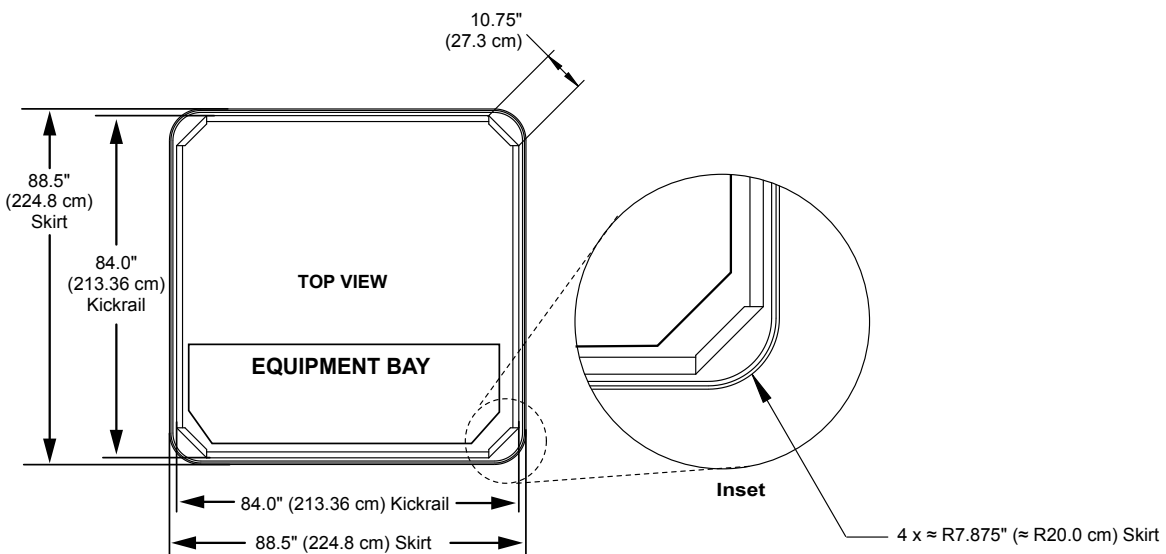
Equipment Bay/Pump Access/  
Optional BLUEWAVE Stereo  
CLEARRAY System located  
behind the front panel

External Drain  
Attachment

**RIGHT SIDE VIEW**  
Tolerance:  $\pm 0.5"$  (1.27 cm)



**IMPORTANT! Always measure each hot tub for exact dimensions BEFORE designing its foundational support and/or decking.**



Dimensions/Specifications Subject To Change Without Notice

Denne modellen kan kobles med 1-fas 230V C-sikring (treg) og 3-fas (400 volt TN-nett - se egne linjer)

**680-serien:**

<b>Ramona:</b>	For å få mest mulig glede av badet anbefaler vi høyeste kurs for optimal drift.			
	<b>Type varmeelement</b>	<b>Alternativ tilkobling</b>	<b>Funksjon</b>	<b>Kretskortinnstillinger</b>
Ramona	5,5 kW	3-fas (400 volt TN-nett) 25 amp	Varmeelement og pumper kan brukes samtidig	Se brukermanual.
Ramona	5,5 kW	40 amp eller 16 + 25 amp	Varmeelement og pumper kan brukes samtidig	Se brukermanual.
Ramona	5,5 kW	32 amp	Varmeelementet slår seg av når pumpene settes på høy hastighet. Pumpe 2 har bare høy hastighet.	Se brukermanual.
Ramona	2,7 kW	3-fas (400 volt TN-nett) 16 amp	Varmeelement og pumper kan brukes samtidig	Se brukermanual.
Ramona	2,7 kW	32 amp eller 16 + 16 amp	Varmeelement og pumper kan brukes samtidig	Se brukermanual.
Ramona	2,7 kW	20 amp	Varmeelementet slår seg av når pumpene settes på høy hastighet. Pumpe 2 har bare høy hastighet.	Se brukermanual.