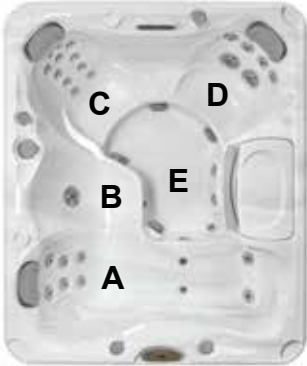


Sundance Spas 780 Montclair™

Specifications

Dimensions:	75" x 91" x 33.5" (191 cm x 231 cm x 85.09 cm)	
Seating Capacity:	4-5 Adults	
Dry Weight:	790 lbs (358 kg)	
Filled Weight (Spa Volume):	4,251 lbs (1,928 kg)	
Filled Weight (Average Fill):	3,375 lbs (1,531 kg)	
Water Capacity (Spa Volume):	415 US Gal (1,571 Liters)	
Water Capacity (Average Fill):	310 US Gal (1,173 Liters)	
Controls:	780 Series Solid-State Electronic Controls with LED Readout, Programmable Temperature, Filtration, and Heat Cycles	
Water Delivery:	2 High Flow Pump	
Pump 1:	North America (60 Hz): 1-Speed/2.5 HP Continuous, 12A Max., 56 Frame Export (50 Hz): 1-Speed/2.0 HP continuous, 8.0A Max.	
Pump 2:	North America (60 Hz): 1-Speed/2.5 HP Continuous, 11A Max., 56 Frame Export (50 Hz): 1-Speed/2.0 HP Continuous, 7.0A Max.	
Pump 3:	8-Hour Filter/Circulation Pump; High Output Flow	
Total Hydrojets:	30	
Seat A Jets:	6 SMT Fluidix, 2 Adjustable Accu-Pressure, 2 Mini Vortex	
Seat B Jets:	1 Vortex	
Seat C Jets:	2 SMT Micro, 9 Accu-Pressure	
Seat D Jets:	4 Mini Vortex, 2 Vortex	
Footwell Jets (E):	2 Mini Vortex	
Air Controls/Massage Selectors:	3/1 Standard air control with LED lights	
Filter:	MicroClean® I Filtration System with Floating Weir, 125 ft ² combined filtration, (1 pleated and 1 spun-bound cartridge)	
Water Treatment:	8-Hour Circulation Pump; Factory installed CLEARARRAY® Water Purification System	
Lighting:	Standard Multi-Colored SunRay LED Light; 6 LED Pin Lights; Indicator light; Air controls	
Synthetic Cabinet:	Available in Coastal, Mahogany, Autumn Walnut	
Shell Colors:	North America: Platinum, Celestite (Gypsum), Sahara, Oyster (Opal), Copper Sand, Monaco, Midnight, Caribbean Surf, Sandstone, Porcelain Export (50 Hz): All North America Colors	
Handrails:	N/A	
Headrests:	Three, 1-Piece Gray	
Heater:	North America Model (60 Hz): High Flow 5.5 kW@240 VAC; Export (50 Hz): High Flow, 2.7 kW	
Electrical Requirements:	North America Model (60 Hz): 240 VAC@40A, 50A or 60A Export (50 Hz): 230-240 VAC@1x20A, 1x16A/1x20A, or 3x16A (see manual for more configurations); or Suitably Rated Circuit Breaker to Comply with Local Electrical Regulations. Certain Countries May Require Dual Power Inputs; Two GFCI/RCD Breakers are Required for This Configuration.	
Limited Warranty*:	North America (60 Hz): 10 Years Shell, 7 Years Shell Surface, 5 Years Plumbing Component Leaks, 5 Years Equipment and Controls, 5 Years Cabinet, 2 Years Jets, 2 Years Lights, 1 Year Stereo Export (50 Hz): 10 Years Shell, 7 Years Shell Surface, 5 Years Plumbing Component Leaks, 5 Years Equipment and Controls, 5 Years Cabinet, 2 Years Jets, 2 Years Lights, 2 Years Stereo	
Waterfall Feature:	On/Off Flow Rate on when circulation pump is running; Colored Lighting	
Audio System (Optional):	Factory Installed BLUEWAVE® Spa Stereo System with Wireless Remote Control, Auxiliary 3.5 mm headphone jack connection and Bluetooth® compatible	
Special Features (Optional):	Factory Installed SmartTub™ module	

*(See Warranty Document for Specific Details)

Dimensions/Specifications Subject To Change Without Notice

Sundance Spas 780 Montclair

Operation/Seat Depths



- (A)** Air Control - Activates Seat A Jets (6 SMT Fluidix, 2 Adjustable Accu-Pressure, 2 Mini Vortex)
- (B)** Massage Selector [Pump 1]- Adjusts Massage Level Between Seat A Jets and Seat C Jets
- (C)** Air Control - Activates Seat C Jets (2 SMT Micro, 9 Accu-Pressure)
- (D)** Air Control - Activates Seat B Jets (1 Vortex) + Seat D Jets (4 Mini Vortex, 2 Vortex) + Footwell Jets (2 Mini Vortex)
- (E)** Waterfall Selector [8-Hour Circ. Pump] - Controls Waterfall Output

• Jets Pump 2: Seat B Jets + Seat D Jets + Footwell Jets are always on when the jets pump is running

30 Total Jets (Stainless Steel Escutcheons Standard)

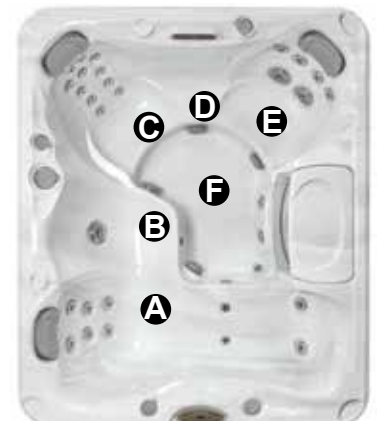


Spa Operation Subject To Change Without Notice

SEAT DEPTHS

- A = 24.63" (62.55 cm)**
- B = 24.63" (62.55 cm)**
- C = 27.75" (70.49 cm)**
- D = 22.75" (57.79 cm)**
- E = 25.75" (65.41 cm)**
- F = 30.38" (77.15 cm)**

Listed dimensions represent distance from top of acrylic to lowest point in seat. **Tolerance ± 0.5" (1.27 cm).**

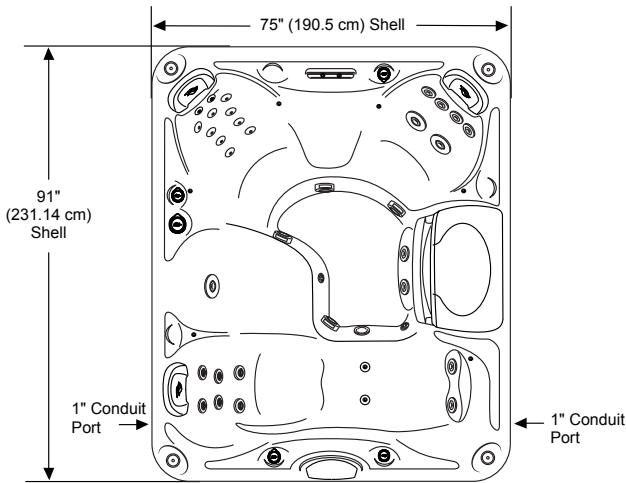


Dimensions/Specifications Subject To Change Without Notice

Sundance Spas 780 Montclair

Portable Dimensions

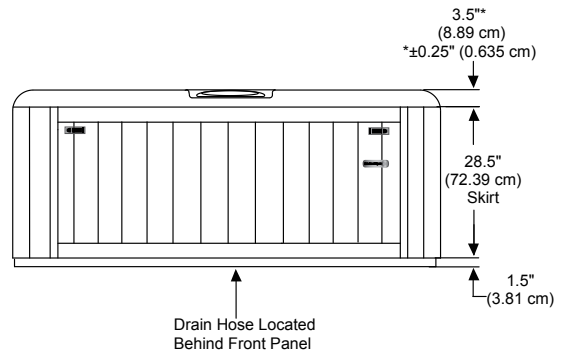
TOP VIEW



FRONT
Equipment Bay/Pump Access
behind skirt panels (CLEARRAY, Optional BLUEWAVE,
and Optional SmartTub Module behind skirt panels)

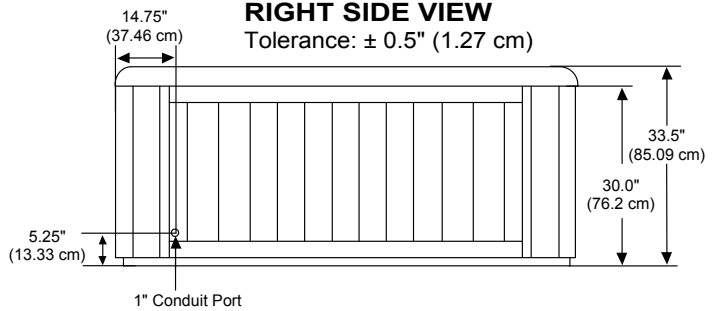
FRONT/BACK VIEW

Tolerance: $\pm 0.5"$ (1.27 cm)

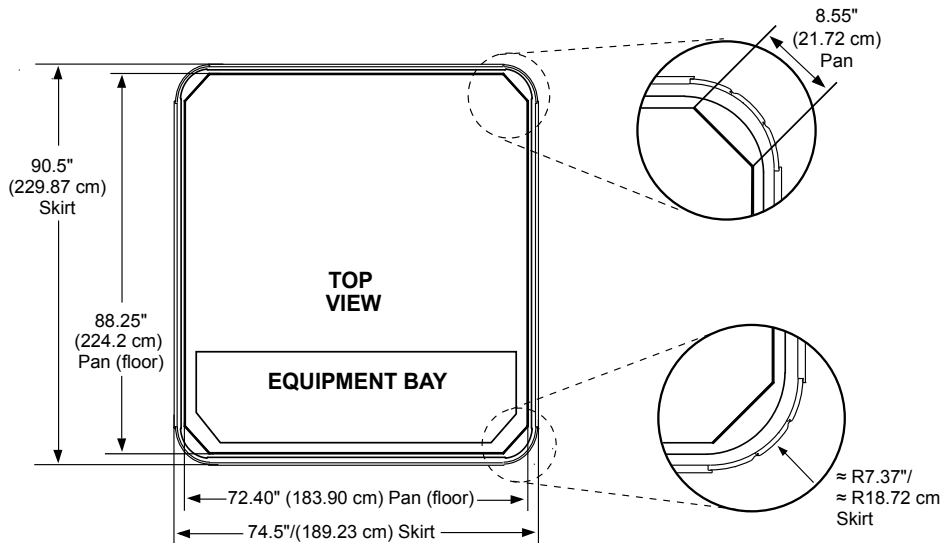


RIGHT SIDE VIEW

Tolerance: $\pm 0.5"$ (1.27 cm)



IMPORTANT! Always measure each hot tub for exact dimensions BEFORE designing its foundational support and/or decking.



Dimensions/specifications subject to change without notice. Tolerance: $\pm 0.5"$ (1.27 cm)

Dimensions/Specifications Subject To Change Without Notice

Denne modellen kan kobles med 1-fas 230V C-sikring (treg) og 3-fas (400 volt TN-nett - se egne linjer)

780-serien:

Montclair: For å få mest mulig glede av badet anbefaler vi høyeste kurs for optimal drift.				
	Type varmeelement	Alternativ tilkobling	Funksjon	Kretskortinnstillinger
Montclair	5,5 kW	3-fas (400 volt TN-nett) 25 amp	Varmeelement og pumper kan brukes samtidig	Se brukermanual.
Montclair	5,5 kW	40 amp eller 20 + 25 amp	Varmeelement og pumper kan brukes samtidig	Se brukermanual.
Montclair	5,5 kW	25 amp	Alle pumper kan brukes samtidig. Varmeelementet slår seg automatisk av når pumpene startes.	Se brukermanual.
Montclair	2,7 kW	3-fas (400 volt TN-nett) 16 amp	Varmeelement og pumper kan brukes samtidig	Se brukermanual.
Montclair	2,7 kW	32 amp eller 16 + 20 amp	Varmeelement og pumper kan brukes samtidig	Se brukermanual.
Montclair	2,7 kW	20 amp	Varmeelementet slår seg automatisk av når pumpene startes.	Se brukermanual.