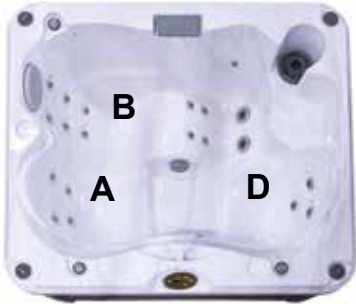


Sundance Spas 680 Alicia™

Specifications

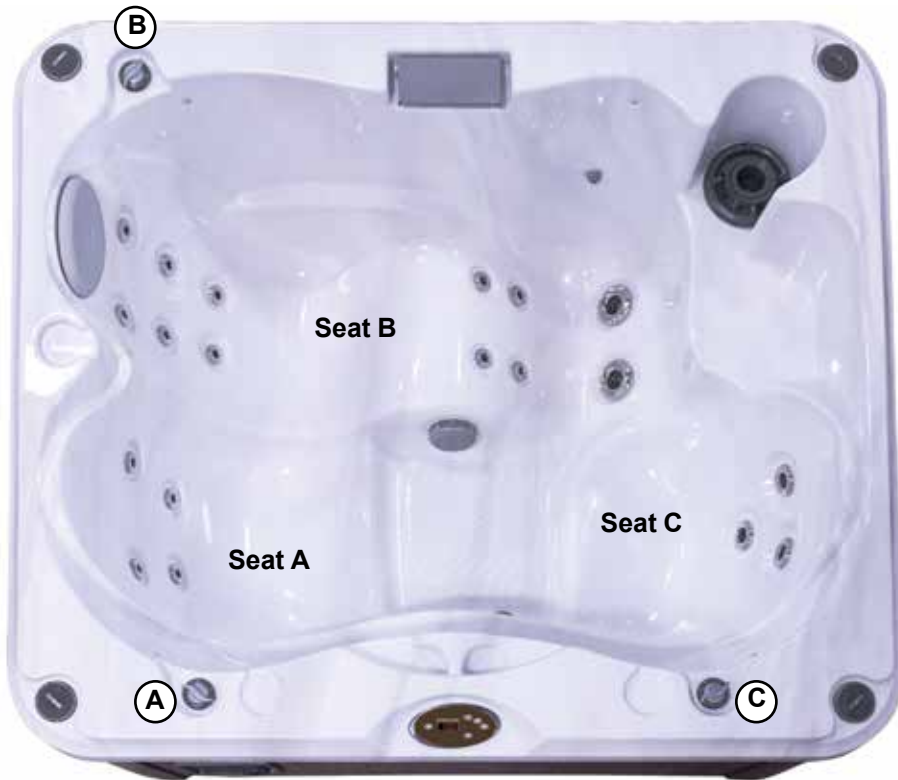
<p>Dimensions 76" x 66" x 32" (193 cm x 168 cm x 81 cm)</p> <p>Seating Capacity..... 2-3 Adults</p> <p>Dry Weight..... 492 lbs (223 kg)</p> <p>Filled Weight (Spa Volume) 2,780 lbs (1,261 kg)</p> <p>Filled Weight (Average Fill)..... 2,329 lbs (1,056 kg)</p> <p>Water Capacity (Spa Volume) 274 US gallons (1,037 Liters)</p> <p>Water Capacity (Average Fill) 220 US gallons (833 Liters)</p> <p>Electronic Controls Solid state electronic controls with LCD readout, programmable temperature, filtration, and heat cycles</p> <p>Pump 1..... North America (60 Hz): 2-Speed, 2.5 HP brake, 1.5 HP continuous, 48 Frame Export: (50 Hz): 2-Speed, 2.0 HP continuous</p> <p>Total Hydrojets: 19</p> <p>Seat A Jets:..... 4 DX</p> <p>Seat B Jet:..... 6 DL, 4 DV, 2 DVR</p> <p>Seat C Jets:..... 3 DXL</p> <p>Air Controls:..... 3</p> <p>Massage Selectors:..... None</p> <p>Filter: 50 ft² Filter Cartridge System</p> <p>Water Treatment: Factory installed CLEARRAY® Water Purification System</p> <p>Lighting: 6 LED bullet lights (4 above water; 2 underwater)</p> <p>Synthetic Cabinet:..... Available in Coastal, Mahogany, Autumn Walnut</p> <p>Shell Colors: Platinum, Celestite (Gypsum), Sahara, Oyster (Opal), Copper Sand, Monaco, Midnight, Caribbean Surf, Sandstone, Porcelain</p> <p>Headrest:..... 1</p> <p>Heater: North America (60 Hz): High Flow, 1 kW@120 VAC or Convertible to 4 kW@240 VAC; Export: (50 Hz): High Flow, 2.7 kW</p> <p>Electrical Requirements: North America Convertible Model (60 Hz): 120 VAC@15A with Supplied GFCI Cord or 240 VAC@30A or 40A (Hard Wired Only); Export (50 Hz): 230-240 VAC@1x20A or 2x16A (see manual for more configurations); or Suitably Rated Circuit Breaker to Comply with Local Electrical Regulations. Certain Countries May Require 2 Power Inputs; Two GFCI/RCD Breakers are Required for This Configuration.</p> <p>Limited Warranty*:..... North America (60 Hz): 5 Years Shell, 3 Years Shell Surface, 3 Years Plumbing Component Leaks, 3 Years Equipment and Controls, 1 Year Cabinet, 1 Year Jets, 1 Year Stereo Export (50 Hz): 5 Years Shell, 3 Years Shell Surface, 3 Years Plumbing Component Leaks, 3 Years Equipment and Controls, 1 Year Cabinet, 1 Year Jets, 2 Years Stereo</p> <p>Waterfall Feature: None</p> <p>Audio System (Optional): Factory Installed BLUEWAVE® Spa Stereo System (Bluetooth®/Aux compatible only) with four speakers</p> <p>Special Features (Optional):..... Factory Installed SmartTub™ module</p>	
--	---

*(See Warranty Document for Specific Details)

Dimensions/Specifications Subject To Change Without Notice

Sundance Spas 680 Alicia

Operation/Seat Depths



- Ⓐ Air control - Activates Seat A Jets (4 DX)
- Ⓑ Air control - Activates Seat B Jets (6 DL, 4 DV, 2 DVR)
- Ⓒ Air Control - Activates Seat C Jets (3 DXL)

- Jets Pump 1: Powers All Jets + Waterfall when running

19 Total Jets

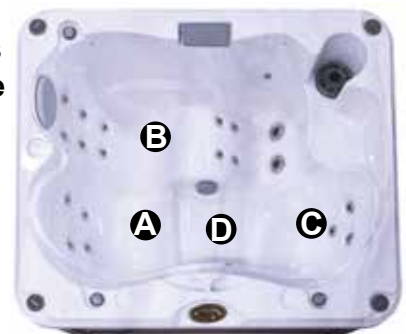


Spa Operation Subject To Change Without Notice

SEAT DEPTHS

- A = 28.25" (71.8 cm)
- B = 27.00" (68.6 cm)
- C = 27.50" (69.9 cm)
- D = 28.70" (73.2 cm)

Listed dimensions represent distance from top of acrylic to lowest point in seat. Tolerance $\pm 0.5"$ (1.27 cm).

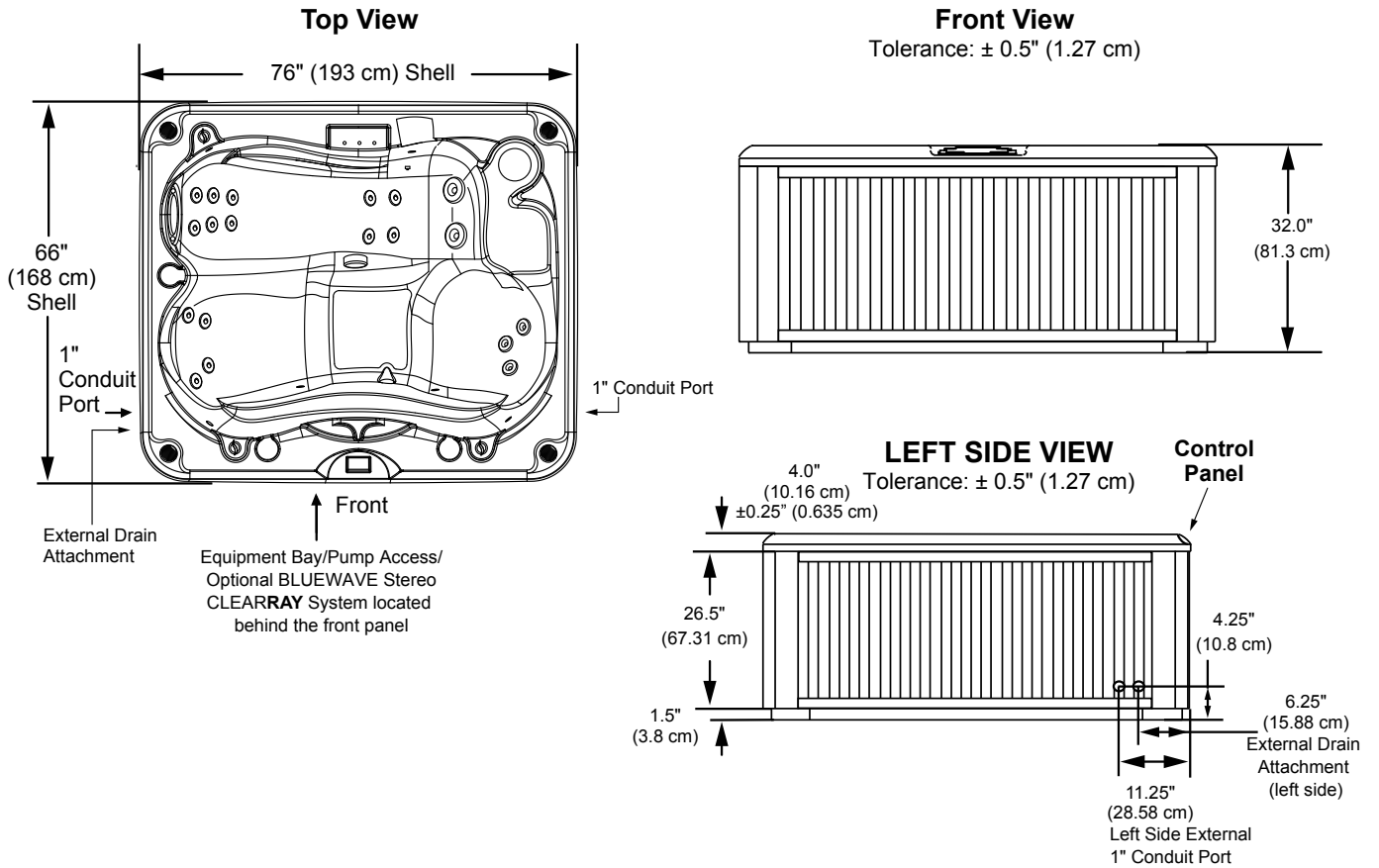


*(See Warranty Document for Specific Details)

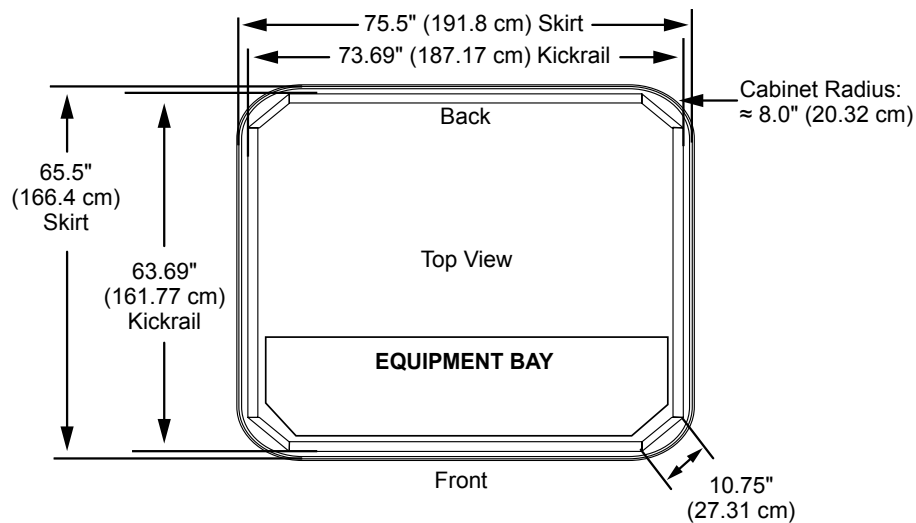
Dimensions/Specifications Subject To Change Without Notice

Sundance Spas 680 Alicia

Portable Dimensions



IMPORTANT! Always measure each hot tub for exact dimensions BEFORE designing its foundational support and/or decking.



Dimensions/specifications subject to change without notice. Tolerance: $\pm 0.5"$ (1.27 cm)

Dimensions/Specifications Subject To Change Without Notice

Denne modellen kan kobles med 1-fas 230V C-sikring

680-serien:

Alicia				
For å få mest mulig glede av badet anbefaler vi høyeste kurs for optimal drift.				
	Type varmeelement	Alternativ tilkobling	Funksjon	Kretskortinnstillinger
Alicia	5,5 kW	32 amp eller 10 + 25 amp	Varmeelement og pumper kan brukes samtidig	Se brukermanual.
Alicia	2,7 kW	20 amp eller 13 + 10 amp	Varmeelement og pumper kan brukes samtidig	Se brukermanual.
Alicia	2,7 kW	16 amp	Varmeelementet slår seg av når pumpene settes på høy hastighet.	Se brukermanual.