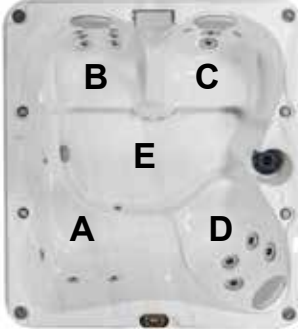


Sundance® Spas 680 Prado™

Specifications

Dimensions	76" x 84" x 34.5" (193 cm x 213 cm x 87 cm)	
Seating Capacity	4-5 Adults	
Dry Weight	562 lbs (255 kg)	
Filled Weight (Spa Volume)	4,219 lbs (1,914 kg)	
Filled Weight (Average Fill)	3,517 lbs (1,596 kg)	
Water Capacity (Spa Volume)	438 US gallons (1,659 Liters)	
Water Capacity (Average Fill)	354 US gallons (1,340 Liters)	
Electronic Controls	Solid state electronic controls with LCD readout, programmable temperature, filtration, and heat cycles	
Pump 1	North America (60 Hz): 2-Speed, 2.5 HP brake, 1.5 HP continuous, 48 Frame Export (50 Hz): 2-Speed, 2.0 HP continuous	
Total Hydrojets:	23	
Seat A Jets:	3 DXL	
Seat B Jet:	6 DXL	
Seat C Jets:	4 DX, 2 DVX	
Seat D Jet:	4 DVR	
Foot Well Jets (E):	4 DL	
Air Controls/Massage Selectors: ...	4 Air Control; No Massage Selector	
Filter:	50 ft ² Filter Cartridge System	
Water Treatment:	Factory installed CLEARRAY® Water Purification System and CLEARRAY® PRO ₃ TECT™	
Lighting:	6 LED bullet lights (4 above water; 2 underwater)	
Synthetic Cabinet:	Available in Coastal, Mahogany, Autumn Walnut	
Shell Colors:	North America: Platinum, Celestite (Gypsum), Sahara, Monaco, Midnight, Porcelain Export (50 Hz): All North America colors	
Headrest:	Three, 1-piece gray	
Heater:	North America (60 Hz): High Flow, 1 kW@120 VAC or Convertible to 4 kW@240 VAC; Export (50 Hz): High Flow, 2.7 kW	
Electrical Requirements:	North America Convertible Model (60 Hz): 120 VAC@15A with Supplied GFCI Cord or 240 VAC@30A or 40A (Hard Wired Only); Export (50 Hz): 230-240 VAC@1x20A or 2x16A (see manual for more configurations); or Suitably Rated Circuit Breaker to Comply with Local Electrical Regulations. Certain Countries May Require 2 Power Inputs; Two GFCI/RCD Breakers are Required for This Configuration.	
Limited Warranty*:	North America (60 Hz): 5 Years Shell, 3 Years Shell Surface, 3 Years Plumbing Component Leaks, 3 Years Equipment and Controls, 1 Year Cabinet, 1 Year Jets, 1 Year Stereo Export (50 Hz): 5 Years Shell, 3 Years Shell Surface, 3 Years Plumbing Component Leaks, 3 Years Equipment and Controls, 1 Year Cabinet, 1 Year Jets, 2 Years Stereo	
Waterfall Feature:	One with ON/OFF valve	
Audio System (Optional):	N/A	
Special Features (Optional):	Factory Installed SmartTub™ module	
Alternative Insulation (Option):	Yes	

*(See Warranty Document for Specific Details)

Dimensions/Specifications Subject To Change Without Notice

Sundance Spas 680 Prado

Operation/Seat Depths



- (A)** Air control - Activates Seat A Jets (3 DXL) + Footwell Jets (2 DL)
- (B)** Air control - Activates Seat B Jets (6 DXL)
- (C)** Air Control - Activates Seat C Jets (4 DX, 2 DVX)
- (D)** Air Control - Activates Seat D Jets (4 DVR) + Footwell Jets (2 DL)

- Jets Pump 1: Powers All Jets + Waterfall when running

23 Total Jets (Stainless Steel Escutcheons Standard)

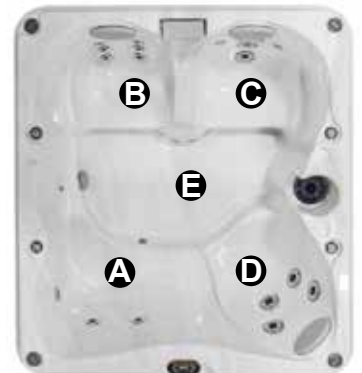


Spa Operation Subject To Change Without Notice

SEAT DEPTHS

- A = 25.50" (64.7 cm)**
- B = 27.50" (69.9 cm)**
- C = 27.50" (69.9 cm)**
- D = 27.40" (69.6 cm)**
- E = 30.25" (76.8 cm)**

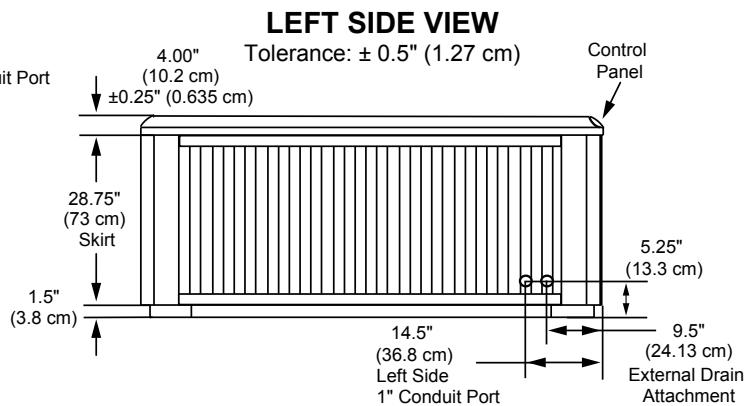
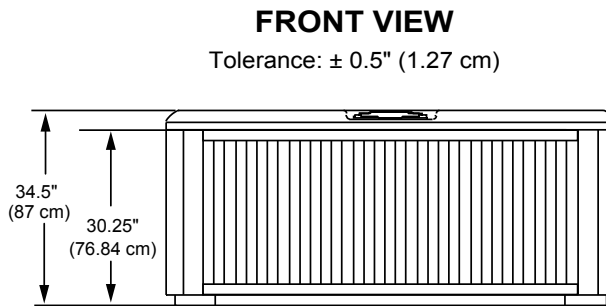
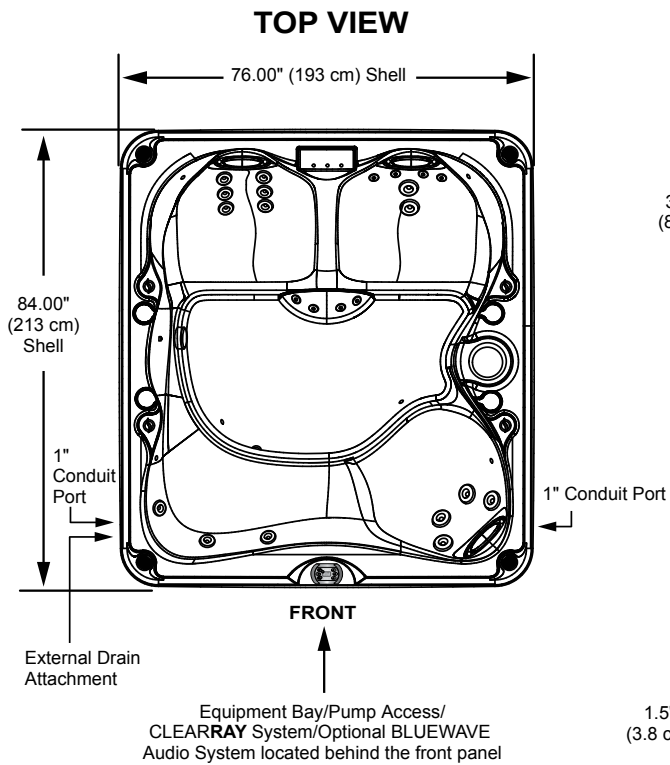
Listed dimensions represent distance from top of acrylic to lowest point in seat. Tolerance $\pm 0.5"$ (1.27 cm).



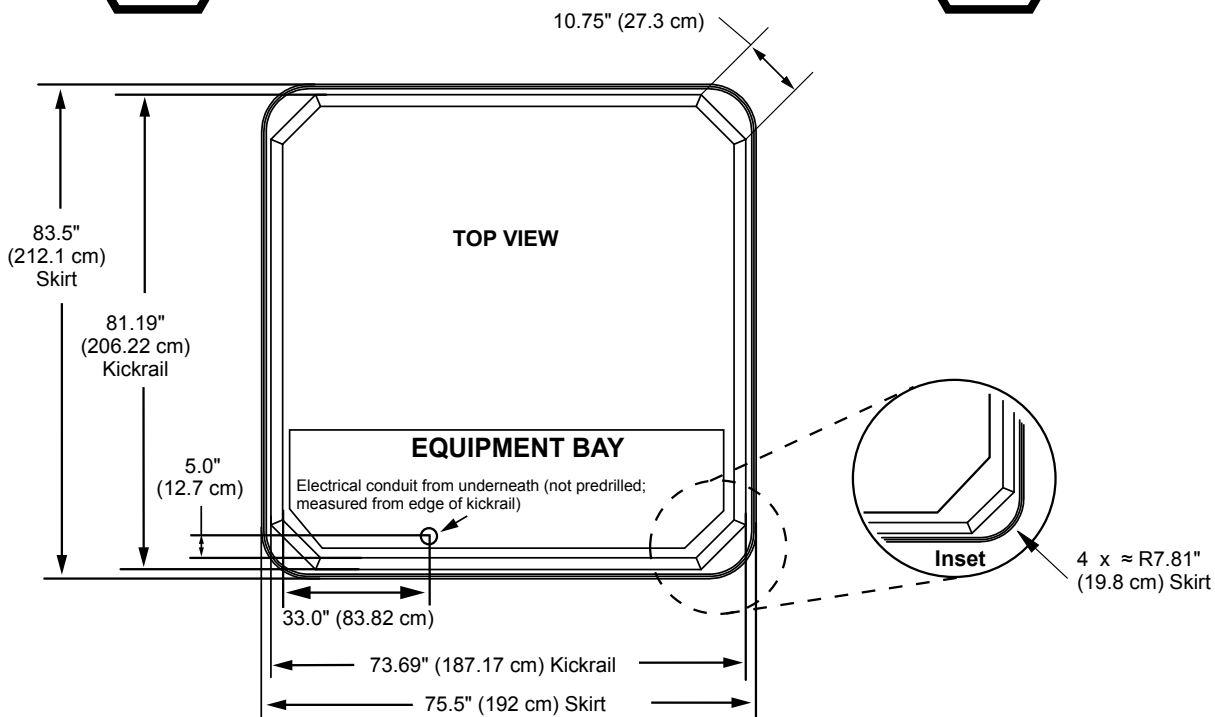
Dimensions/Specifications Subject To Change Without Notice

Sundance Spas 680 Prado

Portable Dimensions



IMPORTANT! Always measure each hot tub for exact dimensions BEFORE designing its foundational support and/or decking.



Dimensions/specifications subject to change without notice. Tolerance: $\pm 0.5"$ (1.27 cm)

Dimensions/Specifications Subject To Change Without Notice

Denne modellen kan kobles med 1-fas 230V C-sikring

680-serien:

Prado	For å få mest mulig glede av badet anbefaler vi høyeste kurs for optimal drift.			
	Type varmeelement	Alternativ tilkobling	Funksjon	Kretskortinnstillinger
Prado	5,5 kW	32 amp eller 10 + 25 amp	Varmeelement og pumper kan brukes samtidig	Se brukermanual.
Prado	2,7 kW	20 amp eller 13 + 10 amp	Varmeelement og pumper kan brukes samtidig	Se brukermanual.
Prado	2,7 kW	20 amp	Varmeelementet slår seg av når pumpene settes på høy hastighet.	Se brukermanual.