


Sundance® Spas 680 Edison®

Specifications

| | | |
|---|--|---|
| Dimensions: | 84" x 84" x 36" (213.5 cm x 213.5 cm x 91.44 cm) |  |
| Seating Capacity: | 6 Adults | |
| Dry Weight: | 758 lbs (344 kg) | |
| Filled Weight (Spa Volume): | 4,511 lbs (2,046 kg) | |
| Filled Weight (Average Fill): | 3,677 lbs (1,668 kg) | |
| Water Capacity (Spa Volume): | 450 US Gal (1,703 Liters) | |
| Water Capacity (Average Fill): | 350 US Gal (1,325 Liters) | |
| Controls: | Solid-State Electronic Controls with LCD Readout, Programmable Water Temperature, Filtration, and Heat Cycles | |
| Water Delivery: | 2 High-Flow Pump | |
| Pump 1: | North America (60 Hz): 2-Speed/2.5 HP Continuous, 11.0A Max., 56 Frame Export (50 Hz): 2-Speed/2.0 HP continuous, 8.0A max. | |
| Pump 2: | North America (60 Hz): 1-Speed/2.5 HP Continuous, 10A max., 56 Frame Export (50 Hz): 1-Speed/2.0 HP continuous, 8.0A max. | |
| Total Hydrojets: | 35 | |
| Seat A Jets: | 3 DXL, 1 DVX | |
| Seat B Jet: | 2 DL | |
| Seat C Jets: | 2 DX, 4 DVR | |
| Seat D Jet: | 2 DST | |
| Seat E Jets: | 2 DX, 6 DL | |
| Seat F Jet: | 1 DL, 4 DXL | |
| Foot Well Jets (G): | 8 DL | |
| Air Controls/Massage Selectors: ... | 3 Air Control; No Massage Selector | |
| Filter: | 50 ft ² Filter Cartridge System | |
| Water Treatment: | Factory installed CLEARRAY® Water Purification System and CLEARRAY® PRO ₃ TECT™ | |
| Lighting: | CL Lighting LED System (Interior Surround) | |
| Synthetic Cabinet: | Available in Coastal, Mahogany, Autumn Walnut | |
| Shell Colors: | North America: Platinum, Celestite (Gypsum), Sahara, Monaco, Midnight, Porcelain Export (50 Hz): All North America colors | |
| Headrest: | Four, 1-piece gray | |
| Heater: | North America (60 Hz): 5.5 kW 240V High Flow Standard Export (50 Hz): 2.7 kW High Flow Standard | |
| Electrical Requirements: | North America (60 Hz): 240 VAC@40A, 50A or 60A Export (50 Hz): 230-240 VAC@1x20A or 1x32A, 2x16A or 1x16A/1x20A or 3x16A (see manual for more configurations); or Suitably Rated Circuit Breaker to Comply with Local Electrical Regulations. Certain Countries May Require 2 Power Inputs; Two GFCI/RCD Breakers are Required for This Configuration. | |
| Limited Warranty*: | North America (60 Hz): 5 Years Shell, 3 Years Shell Surface, 3 Years Plumbing Component Leaks, 3 Years Equipment and Controls, 1 Year Cabinet, 1 Year Jets, 1 Year Stereo Export (50 Hz): 5 Years Shell, 3 Years Shell Surface, 3 Years Plumbing Component Leaks, 3 Years Equipment and Controls, 1 Year Cabinet, 1 Year Jets, 2 Years Stereo | |
| Waterfall Feature: | Variable Valve Control | |
| Audio System (Optional): | N/A | |
| Speial Features (Optional): | Factory Installed SmartTub™ module | |
| Alternative Insulation (Option): | Yes | |

*(See Warranty Document for Specific Details)

Dimensions/Specifications Subject To Change Without Notice

Sundance Spas 680 Edison

Operation/Seat Depths



- (A)** Air control - Activates Seat A Jets (1 DVX, 3 DXL) + Footwell Jets (2 DL)
 - (B)** Waterfall Selector [Pump 1] - Controls Waterfall Output
 - (C)** Air Control - Activates Seat D Jets (2 DST, 3 DXL) + Footwell Jets (2 DL)
 - (D)** Air Control - Activates Seat C Jets (2 DX, 4 DVR) + Seat F Jet (1 DL, 4 DXL) + Footwell Jets (4 DL)
- Jets Pump 1: Powers Seat A Jets + Seat D Jets + Seat E + Footwell Jets (qty 4) + Waterfall when running
 - Jets Pump 2: Seat C Jets + Seat F Jets + Footwell Jets (qty 4) when running

35 Total Jets (Stainless Steel Escutcheons Standard)



Spa Operation Subject To Change Without Notice

SEAT DEPTHS

A = 25.38" (64.45 cm)
B = 25.00" (63.50 cm)
C = 26.25" (66.68 cm)
D = 22.00" (55.88 cm)
E = 25.63" (65.09 cm)
F = 20.63" (52.39 cm)

G = 26.63" (67.63 cm)
H = 16.00" (40.64 cm)
H = 31.88" (80.96 cm)

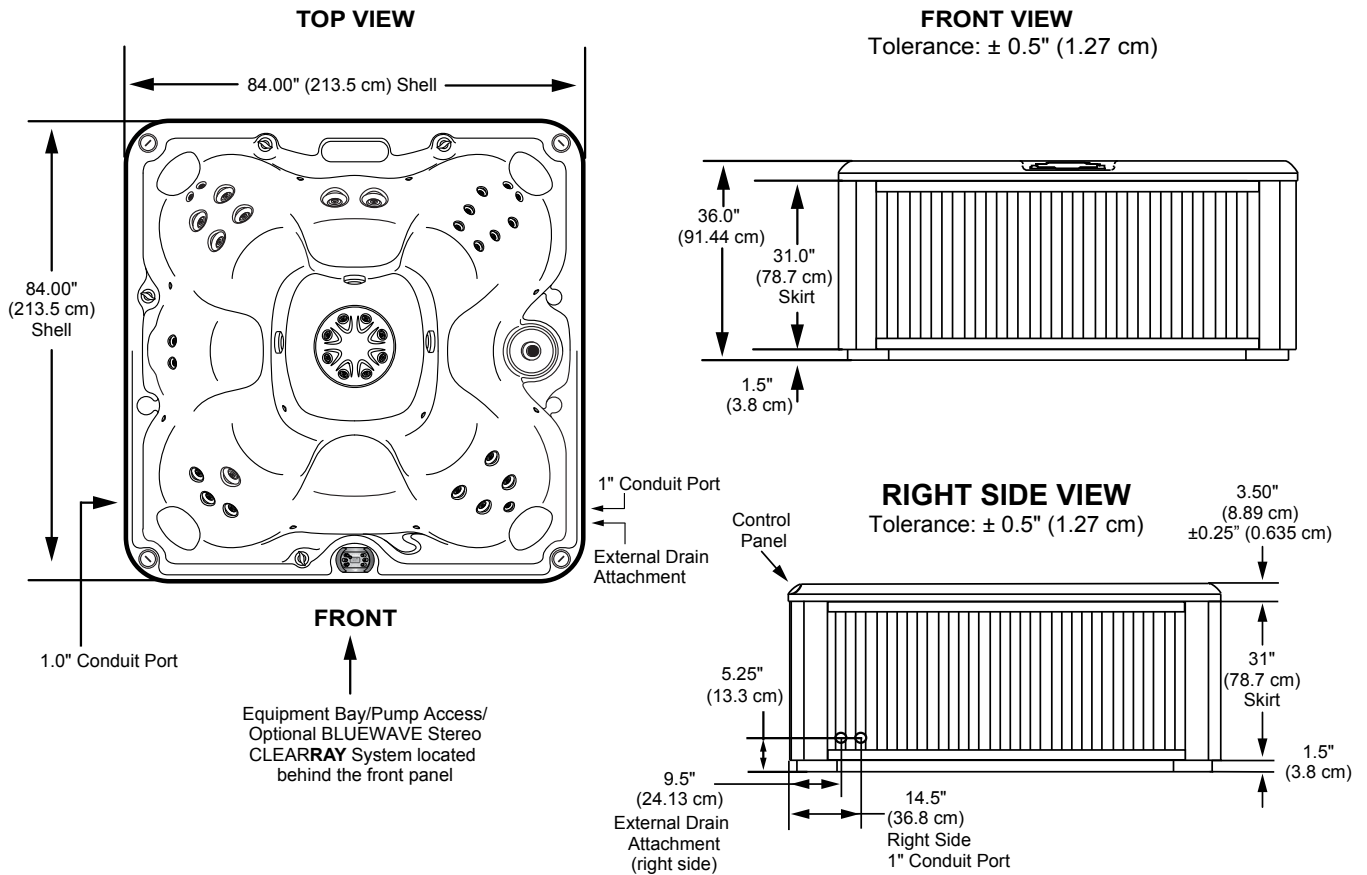
Listed dimensions represent distance from top of acrylic to lowest point in seat. **Tolerance ± 0.5" (1.27 cm).**



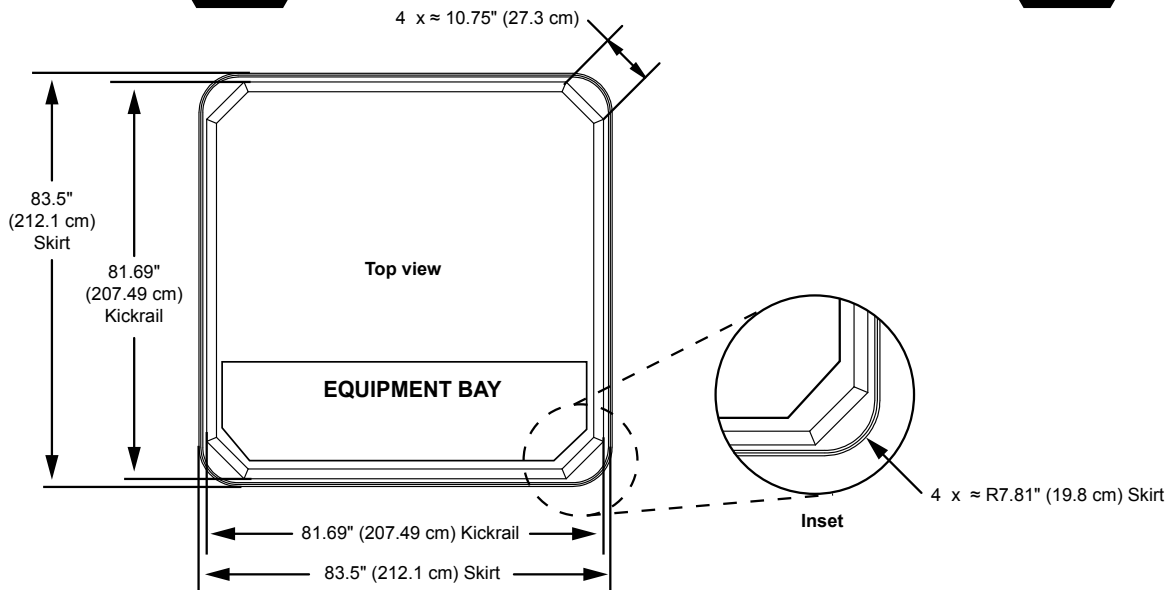
Dimensions/Specifications Subject To Change Without Notice

Sundance Spas 680 Edison

Portable Dimensions



IMPORTANT! Always measure each hot tub for exact dimensions BEFORE designing its foundational support and/or decking.



Dimensions/specifications subject to change without notice. Tolerance: $\pm 0.5"$ (1.27 cm)

Dimensions/Specifications Subject To Change Without Notice

Denne modellen kan kobles med 1-fas 230V C-sikring (treg) og 3-fas (400 volt TN-nett - se egne linjer)

680-serien:

| | | | | |
|----------------|---|---------------------------------|---|-------------------------------|
| Edison: | For å få mest mulig glede av badet anbefaler vi høyeste kurs for optimal drift. | | | |
| | Type varmeelement | Alternativ tilkobling | Funksjon | Kretskortinnstillinger |
| Edison | 5,5 kW | 3-fas (400 volt TN-nett) 25 amp | Varmeelement og pumper kan brukes samtidig | Se brukermanual. |
| Edison | 5,5 kW | 40 amp eller 16 + 25 amp | Varmeelement og pumper kan brukes samtidig | Se brukermanual. |
| Edison | 5,5 kW | 32 amp | Varmeelementet slår seg av når pumpene settes på høy hastighet. Pumpe 2 har bare høy hastighet. | Se brukermanual. |
| Edison | 2,7 kW | 3-fas (400 volt TN-nett) 16 amp | Varmeelement og pumper kan brukes samtidig | Se brukermanual. |
| Edison | 2,7 kW | 32 amp eller 16 + 16 amp | Varmeelement og pumper kan brukes samtidig | Se brukermanual. |
| Edison | 2,7 kW | 20 amp | Varmeelementet slår seg av når pumpene settes på høy hastighet. Pumpe 2 har bare høy hastighet. | Se brukermanual. |