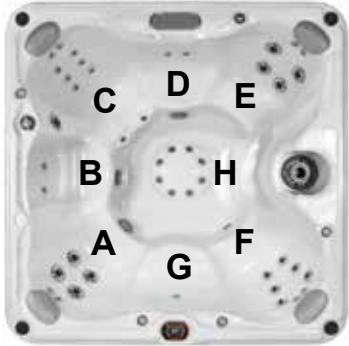


# Sundance® Spas 680 McKinley™

## Specifications

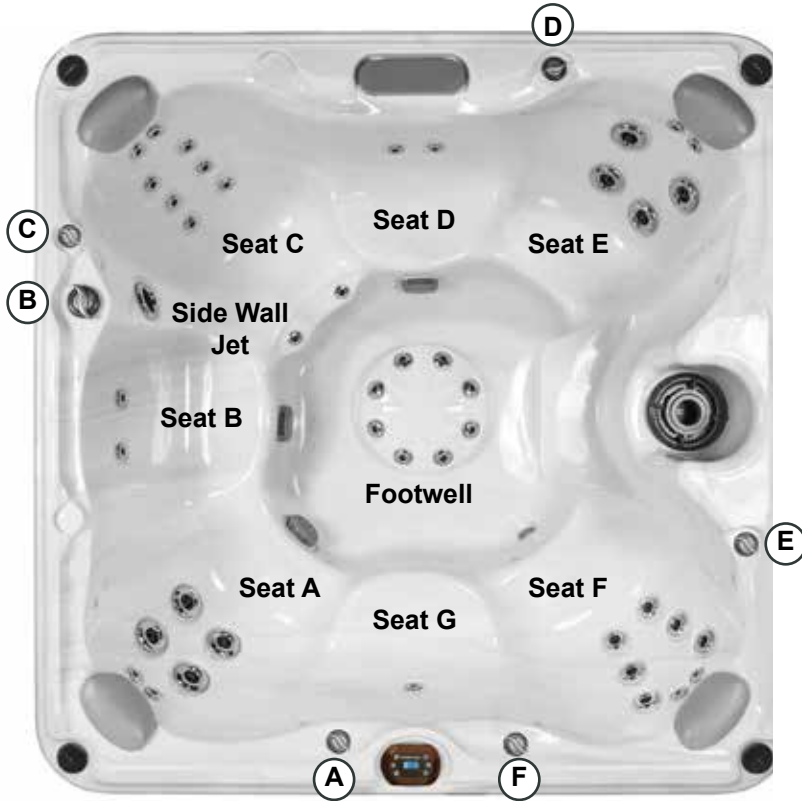
<p><b>Dimensions:</b>.....89" x 89" x 36" (226 cm x 226 cm x 91.44 cm)</p> <p><b>Seating Capacity:</b>.....6-7 Adults</p> <p><b>Dry Weight:</b>.....778 lbs (353 kg)</p> <p><b>Filled Weight (Spa Volume):</b>.....5,115 lbs (2,320 kg)</p> <p><b>Filled Weight (Average Fill):</b>.....4,197 lbs (1,904 kg)</p> <p><b>Water Capacity (Spa Volume):</b>.....520 US Gal (1,968 Liters)</p> <p><b>Water Capacity (Average Fill):</b>.....410 US Gal (1,552 Liters)</p> <p><b>Controls:</b>.....Solid-State Electronic Controls with LCD Readout, Programmable Water Temperature, Filtration, and Heat Cycles</p> <p><b>Water Delivery:</b>.....2 High Flow Pumps</p> <p><b>Pump 1:</b>.....North America (60 Hz): 2-Speed/2.5 HP Continuous, 11.0A Max., 56 Frame <b>Export (50 Hz): 2-Speed/2.0 HP continuous, 8.0A max.</b></p> <p><b>Pump 2:</b>.....North America (60 Hz): 1-Speed/2.5 HP Continuous, 10.0A Max., 56 Frame <b>Export (50 Hz): 1-Speed/2.0 HP continuous, 8.0A max.</b></p> <p><b>Optional Pump 3:</b>.....N/A</p> <p><b>Total Hydrojets:</b>.....<b>44</b></p> <p><b>Seat A Jets:</b>.....2 DX, 2 DVX, 2 DVR</p> <p><b>Seat B Jets:</b>.....2 DL</p> <p><b>Seat C Jets:</b>.....4 DX, 6 DL, 1 DST (Sidewall)</p> <p><b>Seat D Jets:</b>.....2 DL</p> <p><b>Seat E Jets:</b>.....2 DX, 4 DVR</p> <p><b>Seat F Jets:</b>.....2 DX, 6 DXL</p> <p><b>Seat G Jet:</b>.....1 DL</p> <p><b>Footwell Jets (H):</b>.....8 DL</p> <p><b>Air Controls/Massage Selectors:</b>...4/1</p> <p><b>Filter:</b>.....50 ft<sup>2</sup> Filter Cartridge System</p> <p><b>Water Treatment:</b>.....Factory installed CLEARRAY® Water Purification System and CLEARRAY® PRO<sub>3</sub>TECT™</p> <p><b>Lighting:</b>.....CL LED Lighting System (Interior Surround)</p> <p><b>Synthetic Cabinet:</b>.....Available in Coastal, Mahogany, Autumn Walnut</p> <p><b>Shell Colors:</b>.....North America: Platinum, Celestite (Gypsum), Sahara, Monaco, Midnight, Porcelain <b>Export (50 Hz): All North America Colors</b></p> <p><b>Headrests:</b>.....Four, 1-Piece Gray</p> <p><b>Heater:</b>.....North America (60 Hz): 5.5 kW, 240V High Flow Standard <b>Export (50 Hz): 2.7 kW High Flow Standard</b></p> <p><b>Electrical Requirements:</b>.....240 VAC, 60 Hz@40A, 50A or 60A <b>Export (50 Hz): 230-240 VAC@1x20A, 1x16A/1x20A or 3x16A (see manual for more configurations); or Suitably Rated Circuit Breaker to Comply with Local Electrical Regulations. Certain Countries May Require 2 Power Inputs; Two GFCI/RCD Breakers are Required for This Configuration.</b></p> <p><b>Limited Warranty*</b>.....North America (60 Hz): 5 Years Shell, 3 Years Shell Surface, 3 Years Equipment and Controls, 3 Years Plumbing Component Leaks, 1 Year Cabinet, 1 Year Jets, 1 Year Stereo <b>Export (50 Hz): 5 Years Shell, 3 Years Shell Surface, 3 Years Plumbing Component Leaks, 3 Years Equipment and Controls, 1 Year Cabinet, 1 Year Jets, 2 Years Stereo</b></p> <p><b>Waterfall Feature:</b>.....Variable Valve Control</p> <p><b>Audio System (Optional):</b>.....N/A</p> <p><b>Special Features (Optional):</b>.....Factory Installed SmartTub™ module</p> <p><b>Alternative Insulation (Option):</b>.....Yes</p>	
--	---

\*(See Warranty Document for Specific Details)

Dimensions/Specifications Subject To Change Without Notice

# Sundance Spas 680 McKinley

## Operation/Seat Depths



- (A)** Air Control - Activates Seat A Jets (2 DX, 2 DVR, 2 DVX) + Seat B Jets (2 DL) + Side Wall Jet (1 DST) + Seat G Jet (1 DL) + Footwell Jets (2 DL)
- (B)** Massage Selector [Pump 1]- Adjusts Seat A Jets + Seat B Jets + Seat G + Side Wall Jet + 2 Footwell Jets and Seat C Jets + 2 Footwell Jets
- (C)** Air Control - Activates Seat C Jets (4 DX, 6 DL) + Footwell Jets (2 DL)
- (D)** Air Control - Activates Seat D Jets (2 DL) + Seat E Jets (2 DX, 4 DVR) + Footwell Jets (2 DL)
- (E)** Air Control - Activates Seat F Jets (2 DX, 6 DXL) + Footwell Jets (2 DL)
- (F)** Waterfall Selector [Pump 1] - Controls Waterfall Output

- Jets Pump 1: Powers Seat A Jets + Seat B Jets + Side Wall Jet + Seat C Jets + Seat G Jet + 4 Footwell Jets when running

- Jets Pump 2: Powers Seat D Jets + Seat E Jets + Seat F Jets + 4 Footwell Jets when running

### 44 Total Jets (Stainless Steel Escutcheons Standard)



Spa Operation Subject To Change Without Notice

## SEAT DEPTHS

**A = 25.50" (64.77 cm)**  
**B = 25.00" (63.50 cm)**  
**C = 26.50" (67.31 cm)**  
**D = 22.25" (56.52 cm)**  
**E = 25.75" (65.41 cm)**  
**F = 20.50" (52.07 cm)**

**G = 26.63" (67.63 cm)**  
**H = 16.63" (42.23 cm)**  
**I = 31.50" (80.01 cm)**

Listed dimensions represent distance from top of acrylic to lowest point in seat. **Tolerance ± 0.5" (1.27 cm).**

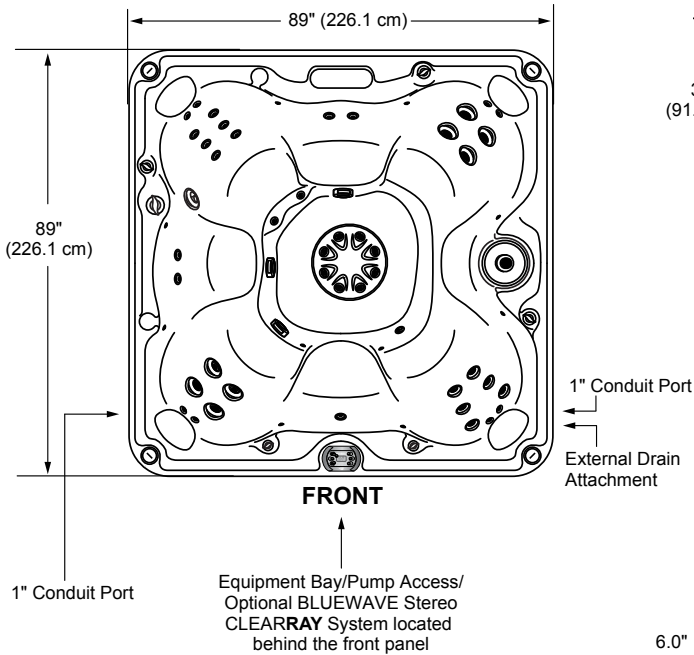


Dimensions/Specifications Subject To Change Without Notice

# Sundance Spas 680 McKinley

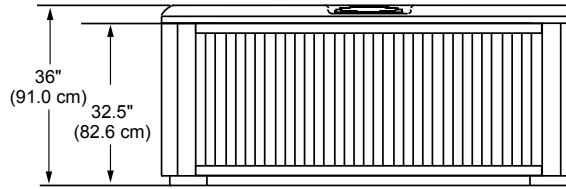
## Portable Dimensions

**TOP VIEW**



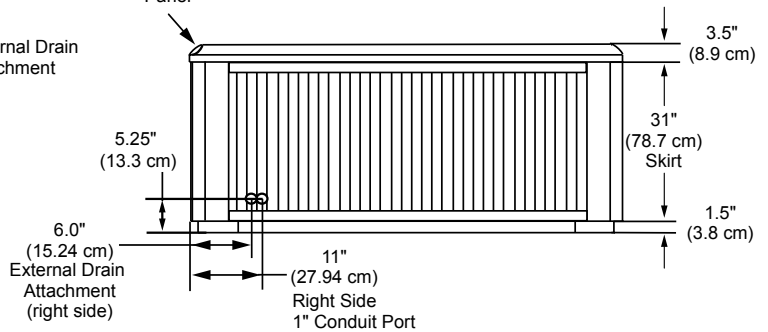
**FRONT VIEW**

Tolerance:  $\pm 0.5"$  (1.27 cm)

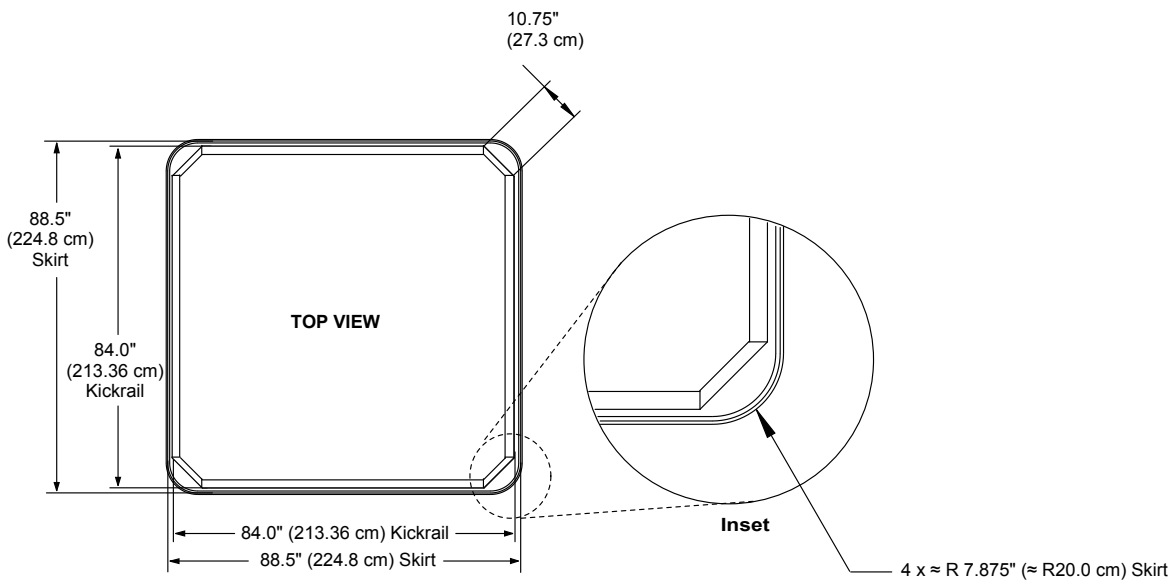


**RIGHT SIDE VIEW**

Tolerance:  $\pm 0.5"$  (1.27 cm)



**IMPORTANT! Always measure each hot tub for exact dimensions BEFORE designing its foundational support and/or decking.**



Dimensions/specifications subject to change without notice. Tolerance:  $\pm 0.5"$  (1.27 cm)

Dimensions/Specifications Subject To Change Without Notice

Denne modellen kan kobles med 1-fas 230V C-sikring (treg) og 3-fas (400 volt TN-nett - se egne linjer)

**680-serien:**

<b>McKinley:</b>	For å få mest mulig glede av badet anbefaler vi høyeste kurs for optimal drift.			
	<b>Type varmeelement</b>	<b>Alternativ tilkobling</b>	<b>Funksjon</b>	<b>Kretskortinnstillinger</b>
McKinley	5,5 kW	3-fas (400 volt TN-nett) 25 amp	Varmeelement og pumper kan brukes samtidig	Se brukermanual.
McKinley	5,5 kW	40 amp eller 16 + 25 amp	Varmeelement og pumper kan brukes samtidig	Se brukermanual.
McKinley	5,5 kW	32 amp	Varmeelementet slår seg av når pumpene settes på høy hastighet. Pumpe 2 har bare høy hastighet.	Se brukermanual.
McKinley	2,7 kW	3-fas (400 volt TN-nett) 16 amp	Varmeelement og pumper kan brukes samtidig	Se brukermanual.
McKinley	2,7 kW	32 amp eller 16 + 16 amp	Varmeelement og pumper kan brukes samtidig	Se brukermanual.
McKinley	2,7 kW	20 amp	Varmeelementet slår seg av når pumpene settes på høy hastighet. Pumpe 2 har bare høy hastighet.	Se brukermanual.