


Sundance® Spas 680 Ramona™

Specifications

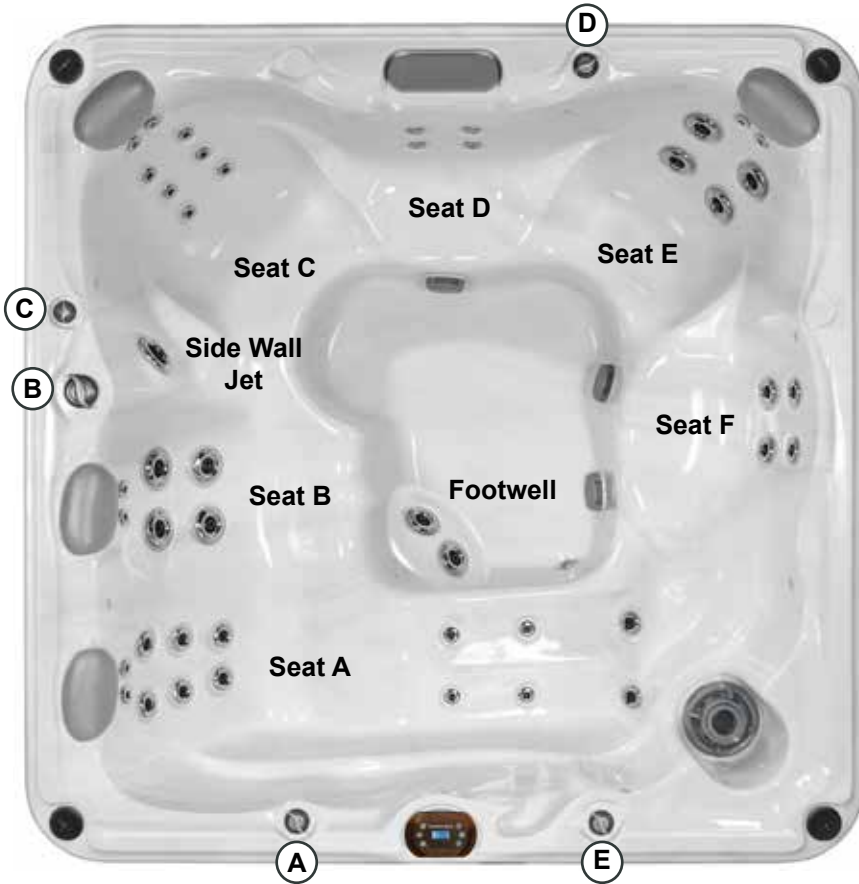
Dimensions:	89" x 89" x 36" (226 cm x 226 cm x 91.44 cm)	
Seating Capacity:	5-6 Adults	
Dry Weight:	734 lbs (333 kg)	
Filled Weight (Spa Volume):	5,071 lbs (2,300 kg)	
Filled Weight (Average Fill):	4,153 lbs (1,884 kg)	
Water Capacity (Spa Volume):	520 US Gal (1,968 Liters)	
Water Capacity (Average Fill):	410 US Gal (1,552 Liters)	
Controls:	Solid-State Electronic Controls with LCD Readout, Programmable Water Temperature, Filtration, and Heat Cycles	
Water Delivery:	2 High Flow Pumps	
Pump 1:	North America (60 Hz): 2-Speed/2.5 HP Continuous, 11.0A Max., 56 Frame Export (50 Hz): 2-Speed/2.0 HP continuous, 8.0A max.	
Pump 2:	North America (60 Hz): 1-Speed/2.5 HP Continuous, 10.0A Max., 56 Frame Export (50 Hz): 1-Speed/2.0 HP continuous, 8.0A max.	
Optional Pump 3:	N/A	
Total Hydrojets:	45	
Seat A Jets:	2 DX, 8 DXL, 4 DV	
Seat B Jets:	2 DX, 2 DVX, 2 DVR	
Seat C Jets:	2 DX, 6 DL, 1 DST (Sidewall)	
Seat D Jets:	4 DL	
Seat E Jets:	2 DX, 4 DVR	
Seat F Jets:	4 DXL	
Foot Well Jets (G):	2 DVX	
Air Controls/Massage Selectors:	3/1	
Filter:	50 ft² Filter Cartridge System	
Water Treatment:	Factory installed CLEARRAY® Water Purification System and CLEARRAY® PRO ₃ TECT™	
Lighting:	CL LED Lighting System (Interior Surround)	
Synthetic Cabinet:	Available in Coastal, Mahogany, Autumn Walnut	
Shell Colors:	North America: Platinum, Celestite (Gypsum), Sahara, Monaco, Midnight, Porcelain Export (50 Hz): All North America Colors	
Headrest:	Four, 1-Piece Gray	
Heater:	North America (60 Hz): 5.5 kW, High Flow Standard Export (50 Hz): 2.7 kW, High Flow Standard	
Electrical Requirements:	North America (60 Hz): 240 VAC, 60 Hz@40A, 50A or 60A; Export (50 Hz): 230-240 VAC@1x20A or 1x32A, 2x16A or 1x16A/1x20A or 3x16A (see manual for more configurations); or Suitably Rated Circuit Breaker to Comply with Local Electrical Regulations. Certain Countries May Require 2 Power Inputs; Two GFCI/RCD Breakers are Required for This Configuration.	
Limited Warranty*:	North America (60 Hz): 5 Years Shell, 3 Years Shell Surface, 3 Years Equipment and Controls, 3 Years Plumbing Component Leaks, 1 Year Cabinet, 1 Year Jets, 1 Year Stereo Export (50 Hz): 5 Years Shell, 3 Years Shell Surface, 3 Years Plumbing Component Leaks, 3 Years Equipment and Controls, 1 Year Cabinet, 1 Year Jets, 2 Years Stereo	
Waterfall Feature:	Variable Valve Control	
Audio System (Optional):	N/A	
Special Features (Optional):	Factory Installed SmartTub™ module	
Alternative Insulation (Option):	Yes	

*(See Warranty Document for Specific Details)

Dimensions/Specifications Subject To Change Without Notice

Sundance Spas 680 Ramona

Operation/Seat Depths



- (A)** Air Control - Activates Seat A Jets (2 DX, 8 DXL, 4 DV) + Seat B Jets (2 DX, 2 DVR, 2 DVX) + Seat F Jets (4 DXL)
- (B)** Massage Selector [Pump 1]- Adjusts Seat C Jets and Side Wall Jet + Seat D Jets + Seat E Jets
- (C)** Air Control - Activates Seat C Jets (2 DX, 6 DL)
- (D)** Air Control - Activates Side Wall Jet (1 DST) + Seat D Jets (4 DL) + Seat E Jets (2 DX, 4 DVR) + Footwell Jets (2 DVX)
- (E)** Waterfall Selector [Pump 1] - Controls Waterfall Output

- Jets Pump 1: Powers Seat C Jets + Side Wall Jet + Seat D Jets + Seat E Jets + Footwell Jets when running
- Jets Pump 2: Powers Seat A Jets + Seat B Jets + Seat F Jets

NOTE: Footwell Jets (2 DVX) are on at all times when jets pump 1 is running

45 Total Jets (Stainless Steel Escutcheons Standard)



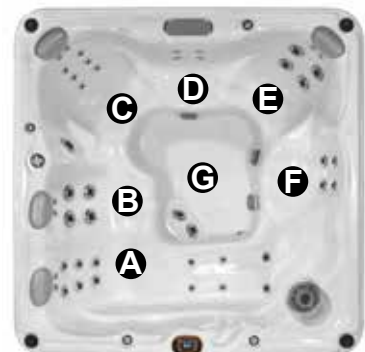
Spa Operation Subject To Change Without Notice

SEAT DEPTHS

A = 25.00" (63.50 cm)
B = 24.50" (62.23 cm)
C = 27.25" (69.22 cm)
D = 22.13" (56.20 cm)

E = 26.75" (67.95 cm)
F = 20.13" (51.12 cm)
G = 32.00" (81.28 cm)

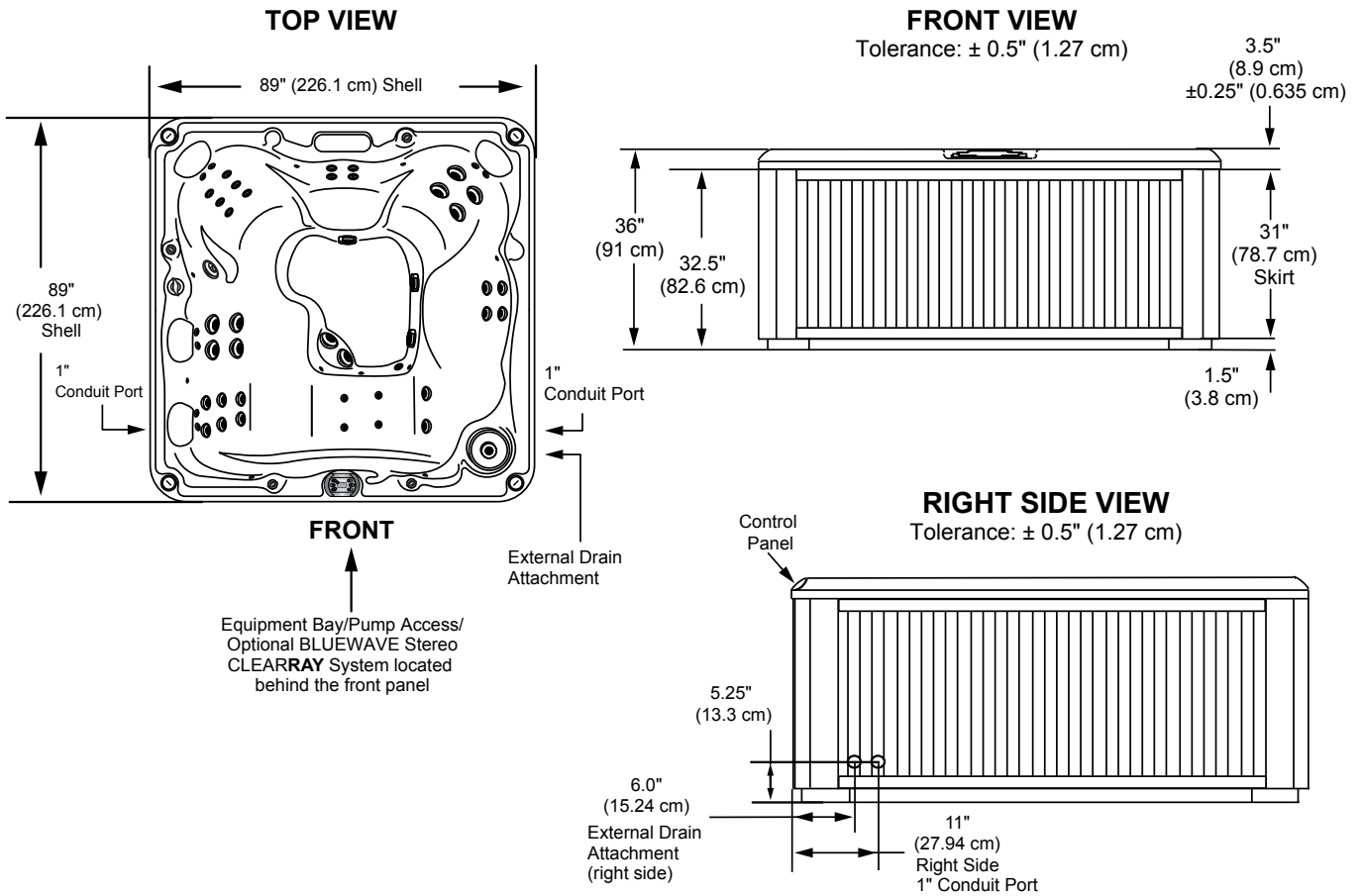
Listed dimensions represent distance from top of acrylic to lowest point in seat. **Tolerance ± 0.5" (1.27 cm).**



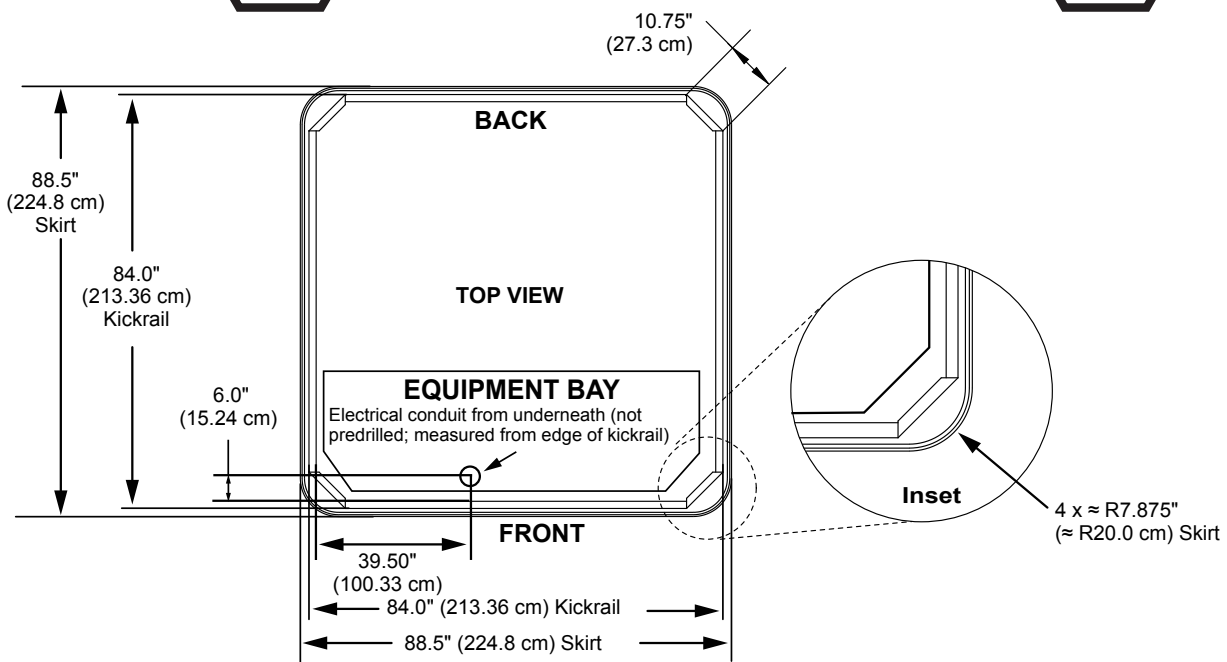
Dimensions/Specifications Subject To Change Without Notice

Sundance Spas 680 Ramona

Portable Dimensions



IMPORTANT! Always measure each hot tub for exact dimensions BEFORE designing its foundational support and/or decking.



Dimensions/specifications subject to change without notice. Tolerance: $\pm 0.5"$ (1.27 cm)

Dimensions/Specifications Subject To Change Without Notice

Denne modellen kan kobles med 1-fas 230V C-sikring (treg) og 3-fas (400 volt TN-nett - se egne linjer)

680-serien:

Ramona:	For å få mest mulig glede av badet anbefaler vi høyeste kurs for optimal drift.			
	Type varmeelement	Alternativ tilkobling	Funksjon	Kretskortinnstillinger
Ramona	5,5 kW	3-fas (400 volt TN-nett) 25 amp	Varmeelement og pumper kan brukes samtidig	Se brukermanual.
Ramona	5,5 kW	40 amp eller 16 + 25 amp	Varmeelement og pumper kan brukes samtidig	Se brukermanual.
Ramona	5,5 kW	32 amp	Varmeelementet slår seg av når pumpene settes på høy hastighet. Pumpe 2 har bare høy hastighet.	Se brukermanual.
Ramona	2,7 kW	3-fas (400 volt TN-nett) 16 amp	Varmeelement og pumper kan brukes samtidig	Se brukermanual.
Ramona	2,7 kW	32 amp eller 16 + 16 amp	Varmeelement og pumper kan brukes samtidig	Se brukermanual.
Ramona	2,7 kW	20 amp	Varmeelementet slår seg av når pumpene settes på høy hastighet. Pumpe 2 har bare høy hastighet.	Se brukermanual.