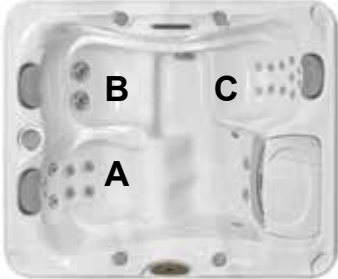


# Sundance® Spas 780 Dover™

## Specifications

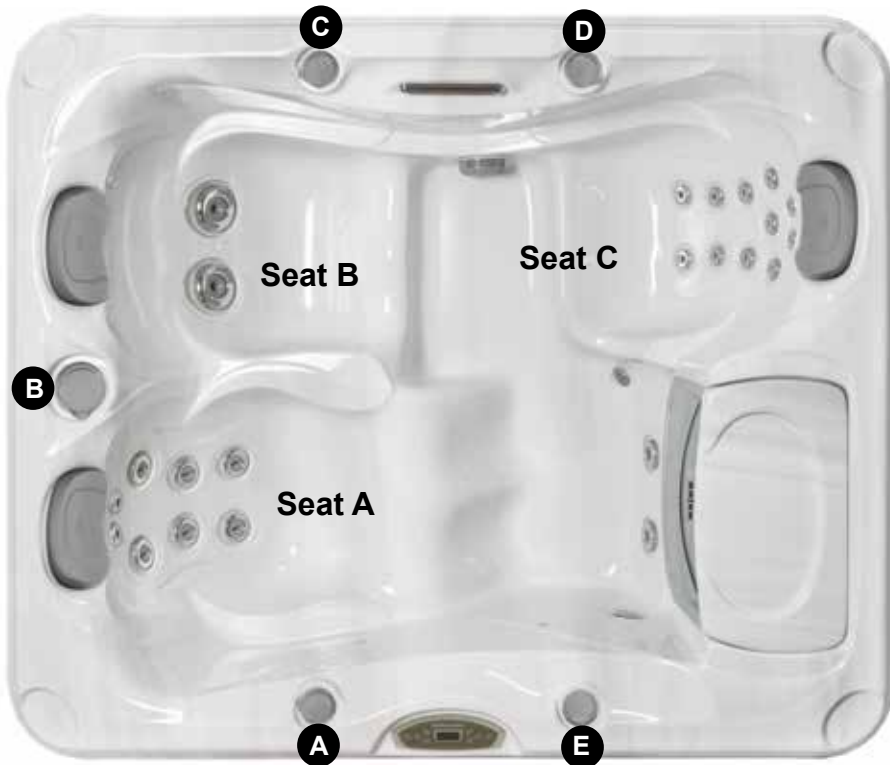
<b>Dimensions:</b> .....	69" x 82" x 30.5" (175.3 cm x 208.3 cm x 77.5 cm)	
<b>Seating Capacity:</b> .....	2-3 Adults	
<b>Dry Weight:</b> .....	620 lbs (281 kg)	
<b>Filled Weight (Spa Volume):</b> .....	3,247 lbs (1,473 kg)	
<b>Filled Weight (Average Fill):</b> .....	2,538 lbs (1,151 kg)	
<b>Water Capacity (Spa Volume):</b> .....	315 US Gal (1,192 Liters)	
<b>Water Capacity (Average Fill):</b> .....	230 US Gal (871 Liters)	
<b>Controls:</b> .....	780 Series Solid-State Electronic Controls with LED Readout, Programmable Temperature, Filtration, Heat Cycles	
<b>Water Delivery:</b> .....	1 High-flow pump	
<b>Pump 1:</b> .....	North America (60 Hz): 2-Speed/1.5 HP Continuous, 13.0A Max., 48 Frame <b>Export (50 Hz): 2-Speed/2.0 HP Continuous, 8.0A max.</b>	
<b>Pump 2:</b> .....	24-Hour Filter/Circulation Pump	
<b>Total Hydrojets:</b> .....	<b>23</b>	
<b>Seat A Jets:</b> .....	2 SMT Micro, 6 SMT Fluidix, 2 Mini Vortex	
<b>Seat B Jets:</b> .....	2 Vortex	
<b>Seat C Jets:</b> .....	2 SMT Micro, 9 Accu-Pressure	
<b>Air Controls/Massage Selectors:</b> .....	3/1 Standard air control LED lights	
<b>Filter:</b> .....	MicroClean® Filter System, 125 ft² Combined Filtration, (1 pleated and 1 spun-bound cartridge)	
<b>Water Treatment:</b> .....	24-Hour Circulation Pump; Factory installed CLEARRAY® Water Purification System and CLEARRAY® PRO <sub>3</sub> TECT™	
<b>Lighting:</b> .....	Standard Multicolored SunRay LED Light; 4 LED Pin Lights; Indicator light; Air controls	
<b>Synthetic Cabinet:</b> .....	Available in Coastal, Mahogany, Autumn Walnut	
<b>Shell Colors:</b> .....	North America: Platinum, Celestite (Gypsum), Sahara, Monaco, Midnight, Porcelain <b>Export (50 Hz): All North America Colors</b>	
<b>Handrails:</b> .....	N/A	
<b>Headrests:</b> .....	Three, 1-Piece Gray	
<b>Heater:</b> .....	North America Convertible Model (60 Hz): Low Flow, 1 kW@120 VAC or Convertible to 4 kW@240 VAC <b>Export (50 Hz): Low flow, 2.7 kW</b>	
<b>Electrical Requirements:</b> .....	North America Convertible Model (60 Hz): 120 VAC@15A with Supplied GFCI Cord or 240 VAC@30A or 40A (Hard Wired Only); <b>Export (50 Hz): 230-240 VAC@1x16A or 2x16A (see manual for more configurations); or suitably Rated Circuit Breaker to Comply with Local Electrical Regulations. Certain Countries May Require Dual Power Inputs; Two GFCI/RCD Breakers are Required for This Configuration.</b>	
<b>Limited Warranty*:</b> .....	North America (60 Hz): 10 Years Shell, 7 Years Shell Surface, 5 Years Plumbing Component Leaks, 5 Years Equipment and Controls, 5 Years Cabinet, 2 Years Jets, 2 Years Lights, 1 Year Stereo <b>Export (50 Hz): 10 Years Shell, 7 Years Shell Surface, 5 Years Plumbing Component Leaks, 5 Years Equipment and Controls, 5 Years Cabinet, 2 Years Jets, 2 Years Lights, 2 Years Stereo</b>	
<b>Waterfall Feature:</b> .....	On/Off Flow Rate on when pump 1 is running; Colored Lighting	
<b>Audio System (Optional):</b> .....	Factory Installed BLUEWAVE® Spa Stereo System with an Auxiliary 3.5 mm headphone jack connection and Bluetooth® compatible	
<b>Special Features (Optional):</b> .....	Factory Installed SmartTub™ module	

\*(See Warranty Document for Specific Details)

Dimensions/Specifications Subject To Change Without Notice

# Sundance Spas 780 Dover

## Operation/Seat Depths



- (A)** Air Control - Activates Seat A Jets (2 SMT Micro, 6 SMT Fluidix, 2 Mini Vortex)
- (B)** Massage Selector [Pump 1]- Adjusts Massage Level Between Seat A Jets + Seat B Jets and Seat C Jets
- (C)** Air Control - Activates Seat B Jets (2 Vortex)
- (D)** Air Control - Activates Seat C Jets (2 SMT Micro, 9 Accu-Pressure)
- (E)** Waterfall Selector [Pump 1] - Controls Waterfall Output

### 23 Total Jets (Stainless Steel Escutcheons Standard)

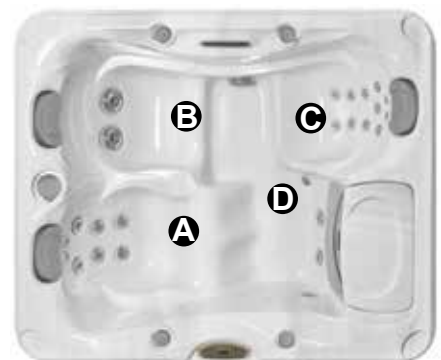


Spa Operation Subject To Change Without Notice

## SEAT DEPTHS

- A = 24.50" (62.23 cm)**
- B = 26.63" (67.63 cm)**
- C = 25.75" (65.41 cm)**
- D = 26.50" (67.31 cm)**

Listed dimensions represent distance from top of acrylic to lowest point in seat. **Tolerance ± 0.5" (1.27 cm).**

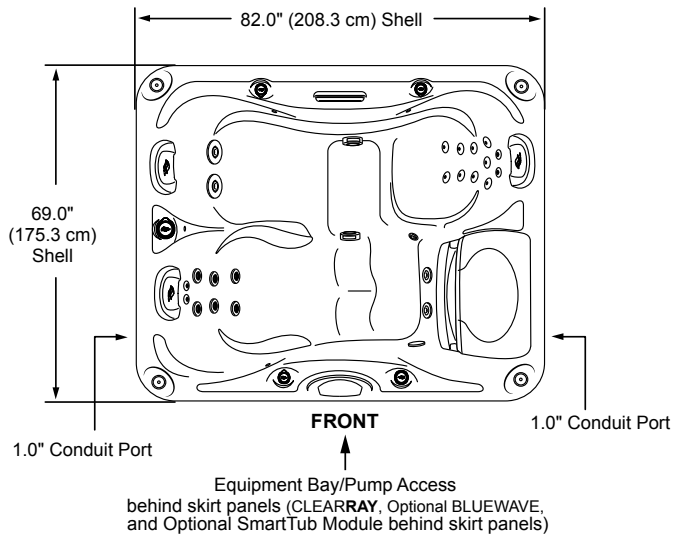


Dimensions/Specifications Subject To Change Without Notice

# Sundance Spas 780 Dover

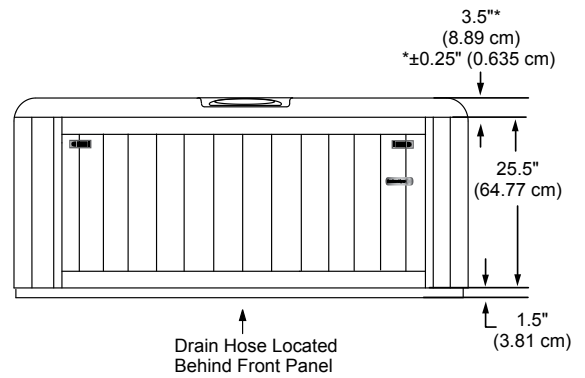
## Portable Dimensions

**TOP VIEW**



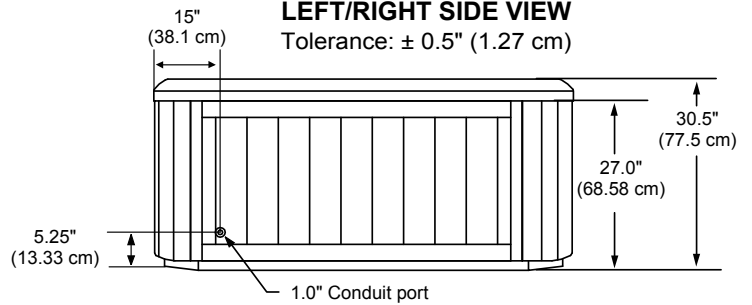
**FRONT VIEW**

Tolerance:  $\pm 0.5"$  (1.27 cm)

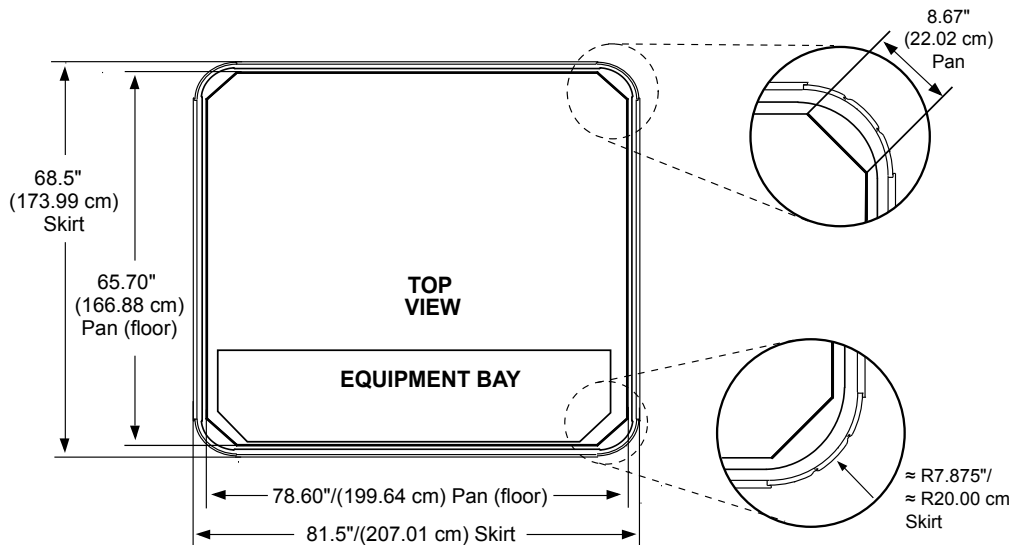


**LEFT/RIGHT SIDE VIEW**

Tolerance:  $\pm 0.5"$  (1.27 cm)



**IMPORTANT! Always measure each hot tub for exact dimensions BEFORE designing its foundational support and/or decking.**



Dimensions/specifications subject to change without notice. Tolerance:  $\pm 0.5"$  (1.27 cm)

Dimensions/Specifications Subject To Change Without Notice

Denne modellen kan kobles med 1-fas 230V C-sikring (treg) og 3-fas (400 volt TN-nett - se egne linjer)

**780-serien:**

<b>Dover:</b> For å få mest mulig glede av badet anbefaler vi høyeste kurs for optimal drift.				
	<b>Type varmeelement</b>	<b>Alternativ tilkobling</b>	<b>Funksjon</b>	<b>Kretskortinnstillinger</b>
Dover	5,5 kW	3-fas (400 volt TN-nett) 25 amp	Varmeelement og pumpe kan brukes samtidig	Se brukermanual.
Dover	5,5 kW	40 amp eller 16 + 25 amp	Varmeelement og pumpe kan brukes samtidig	Se brukermanual.
Dover	5,5 kW	25 amp	Varmeelementet slår seg automatisk av når pumpen startes	Se brukermanual.
Dover	2,7 kW	3-fas (400 volt TN-nett) 16 amp	Varmeelement og pumpe kan brukes samtidig	Se brukermanual.
Dover	2,7 kW	25 amp eller 16 amp + 16 amp	Varmeelement og pumpe kan brukes samtidig	Se brukermanual.
Dover	2,7 kW	16 amp	Varmeelementet slår seg automatisk av når pumpen startes	Se brukermanual.