


# Sundance® Splash™ Paisley™

## Specifications

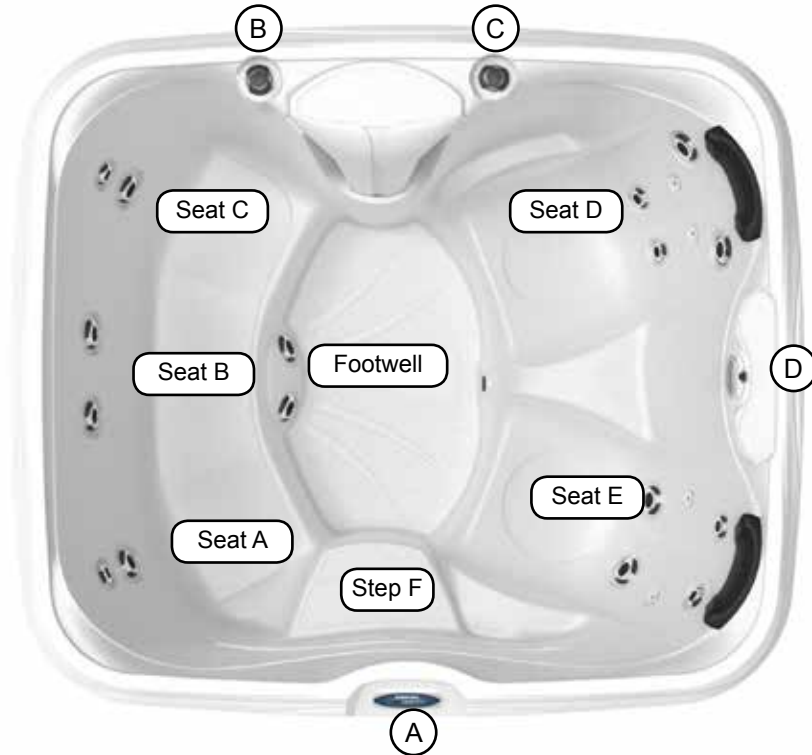
<b>Seating Capacity</b> .....	5 Adults	
<b>Dimensions</b> .....	78" x 68" x 32" (198 cm x 173 cm x 81 cm);	
<b>Dry Weight</b> .....	285 lbs (129 kg)	
<b>Filled Weight (Spa Volume)</b> .....	3,120 lbs (1,415 kg)	
<b>Filled Weight (Average Fill)</b> .....	2,404 lbs (1,090 kg)	
<b>Water Capacity (Spa Volume)</b> .....	340 US gallons (1,287 Liters)	
<b>Water Capacity (Average Fill)</b> .....	254 US gallons (961 Liters)	
<b>Electronic Controls</b> .....	Digital Touch Controller. Offers customizing of cleaning cycles and water temperature setting.	
<b>Pump 1</b> .....	North America (60 Hz): 2-Speed, 2.0 HPR continuous <b>Export (50 Hz): 2-Speed, 1.5 HP</b>	
<b>Pump 2</b> .....	N/A <b>Export (50 Hz): N/A</b>	
<b>Circulation Pump</b> .....	N/A	
<b>Total Jets</b> .....	20	
<b>Seat A Jets</b> .....	1 DirectionalMax1, 1 DirectionalMax2	
<b>Seat B Jets</b> .....	2 DirectionalMax1	
<b>Seat C Jets</b> .....	1 DirectionalMax2, 1 DirectionalMax2	
<b>Seat D Jets</b> .....	2 DirectionalMax1, 2 DirectionalMax2, 2 DirectMiniMax	
<b>Seat E Jets</b> .....	2 DirectionalMax1, 2 DirectionalMax2, 2 DirectMiniMax	
<b>Footwell (F) Jets</b> .....	2 DirectionalMax1	
<b>Massage Selectors</b> .....	N/A	
<b>Air Controls</b> .....	2	
<b>Water Management System</b> .....	One Easy Kleen 30 ft <sup>2</sup> filter cartridge; Optional factory installed Ozone <b>Export (50 Hz): Optional factory installed Ozone</b>	
<b>LED Lighting</b> .....	Multicolor Waterfall light; Footwell light, Exterior corner lights (8 qty)	
<b>Shell/Cabinet Colors</b> .....	Mystic Sparkle, Tuscan Sparkle, Night Sparkle, Glacier Sparkle	
<b>Headrests</b> .....	2	
<b>Waterfalls</b> .....	One with independent flow rate (on or off) adjustment; powered by pump 1	
<b>Heater:</b> .....	Hi Flow 1.0kW/4kW <b>Export (50 Hz): Hi Flow 3.0kW</b>	
<b>Electrical Requirements:</b> .....	North America (60 Hz): Convertible 120 VAC@15A or 240 VAC@30A, 40A <b>Export (50 Hz): 230-240V@1x16A, 1X32A</b>	
<b>Warranty*</b> .....	North America (60 Hz): 5 Years Shell, 5 Years Shell Surface, 2 Years Plumbing Component Leaks, 2 Years Equipment and Controls, 5 Years Cabinet, 2 Years Jets, 1 Year Lights; <b>Export (50 Hz): 5 Years Shell, 5 Years Shell Surface, 2 Years Plumbing Component Leaks, 2 Years Equipment and Controls, 2 Years Cabinet, 2 Years Jets, 2 Years Lights;</b>	
<b>Special Features</b> .....	Optional Suite Package Add-On	

\*(See Warranty Document for Specific Details)

Dimensions/Specifications Subject To Change Without Notice

# Sundance Splash Paisley

## Operation/Seat Depths



- (A) Topside Control - Activate Jets Pump, Light and Control Water Temperature
  - (B) Air Control - Activates Seat A Jets (1 DirectionalMax1 Jet, 1 DirectionalMax2 Jet), Seat B Jets (2 DirectionalMax1 Jets), Seat C Jets (1 DirectionalMax1 Jet, 1 DirectionalMax2 Jet), Footwell Jets (2 DirectionalMax2 Jets)
  - (C) Air Control - Activates Seat D Jets (2 DirectionalMax1 Jets, 2 DirectionalMax2 Jets, 2 DirectMiniMax Jets), Seat E Jets (2 DirectionalMax1 Jets, 2 DirectionalMax2 Jets, 2 DirectMiniMax Jets)
  - (D) Water Feature Control - Controls Water Feature Output.
- Jet Pump 1: All seats and footwell jets

### 20 Total Jets

DirectionalMax1  
Jets (10)

DirectionalMax2  
Jets (6)

DirectMiniMax  
Jets (4)



Spa Operation Subject To Change Without Notice

## SEAT DEPTHS

- A = 26.50" (67.31 cm)
- B = 26.25" (66.68 cm)
- C = 26.50" (67.31 cm)
- D = 26.25" (66.68 cm)
- E = 28.30" (71.87 cm)
- F = 18.00" (45.72 cm)
- G = 30.50" (77.47 cm)

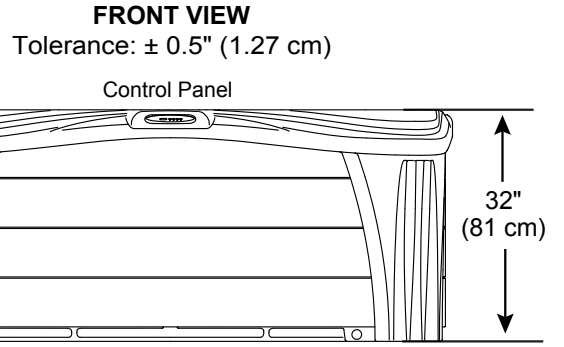
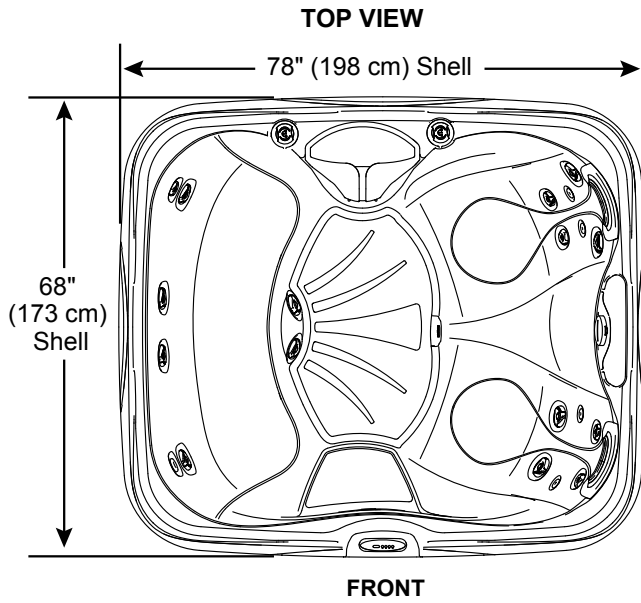
Listed dimensions represent distance from top of spa to lowest point in seat.  
Tolerance: ± 0.5" (1.27 cm)



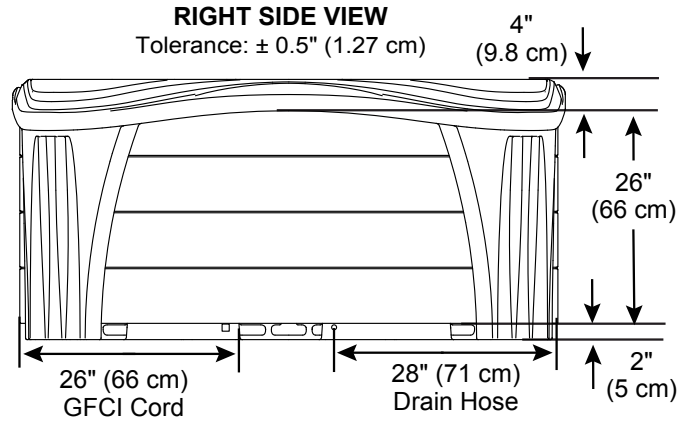
Dimensions/Specifications Subject To Change Without Notice

# Sundance Splash Paisley

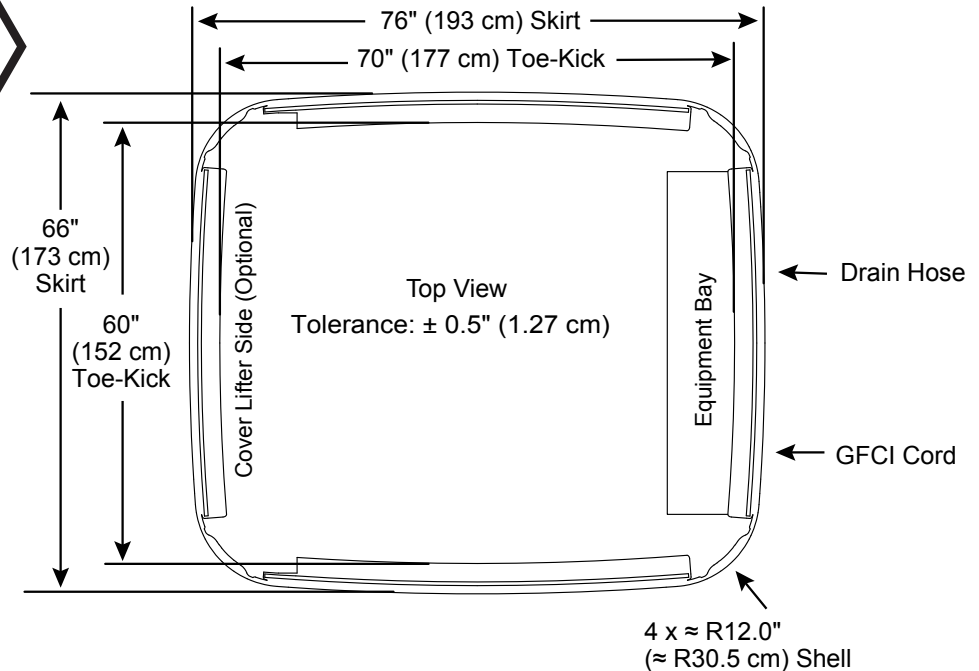
## Portable Dimensions



Behind the cabinet  
Equipment Bay/Pump Access



**IMPORTANT! Always measure each hot tub for exact dimensions BEFORE designing its foundational support and/or decking.**



Dimensions/specifications subject to change without notice. Tolerance:  $\pm 0.5"$  (1.27 cm)

Dimensions/Specifications Subject To Change Without Notice

Denne modellen kan kobles med 1-fas 230V C-sikring

**Splash-serien:**

<b>Paisley:</b>	For å få mest mulig glede av badet anbefaler vi høyeste kurs for optimal drift.			
	<b>Type varmeelement</b>	<b>Alternativ tilkobling</b>	<b>Funksjon</b>	<b>Kretskortinnstillinger</b>
Paisley	3 kW	25 amp	Varmeelement og pumper kan brukes samtidig	Se brukermanual.
Paisley	3 kW	16 amp	Varmeelementet slår seg av når pumpene settes på høy hastighet.	Se brukermanual.