

Sundance® Spas 880 Capri®

Specifications

Dimensions:	69" x 82" x 30.5" (175.5 cm x 208.5 cm x 77.5 cm)
Seating Capacity:	2-3 Adults
Dry Weight:	660 lbs (299 kg)
Filled Weight (Spa Volume):	2,995 lbs (1,359 kg)
Filled Weight (Average Fill):	2,286 lbs (1,037 kg)
Water Capacity (Total Volume):	280 US Gal (1,060 Liters)
Water Capacity (Average Fill):	195 US Gal (738 Liters)
Controls:	880 Touch Interface LCD Control, Displays Temperature, Time, Cycles and Jet/Air System Control. Offers Customizing of Filtration Cycles, Lighting, Water Temperature Setting and other features
Water Delivery:	1 TheraMax High-Flow Pump and 8-Hour Dynamic Flow Circulation System
Pump 1:	North America (60 Hz): 1-Speed/2.5 HP Continuous, 11.3A Max., 56 Frame Export (50 Hz): 1-Speed/2.0 HP Continuous, 7.0A Max.
Pump 2:	High Output Dynamic Flow, 24-Hour programmable, factory default set to 8-Hour Filter/ Circulation Pump (35 gp m), Programmable for Daily Start Time and Duration
Total Hydrojets:	36
Seat A Jets:	12 Fluidix ST, 2 Fluidix Nex, 4 Focus-Relief, 4 Accu-Pressure
Seat B Jets:	6 Fluidix Reflex, 2 Fluidix Nex, 4 Focus-Relief, 2 Vortex
Air Blower:	High-Efficiency, 1-Speed
Aromatherapy Delivery:	4 Air Injector Jets with Quiet High Speed Air Pump
Air Controls/Massage Selectors:	2/1 (Standard air control with LED lights and massage selector with LED lights)
Filter:	MicroClean® Ultra II Filtration System, 130 ft² (2 interlocking cartridge filters)
Water Treatment:	Dynamic Flow Circulation System; Factory installed CLEARARRAY Active Oxygen™ Water System
Lighting:	Multi-Colored Sunglow LED Lighting System (1 Waterfall, 1 Underwater, 2 Air controls, 1 Massage Selectors, Exterior lights)
Skirt Cabinet (SunSide™):	Windy Oak, Ironwood and Flint Gray
Shell Colors:	North America: Platinum, Celestite (Gypsum), Monaco, Midnight, Porcelain Export: All North America Colors
Handrails:	1 Integral
ComforTone Headrests:	Two, 1-Piece Gray
Heater:	North America (60 Hz): Hi Flow 5.5 kW with Titanium Element Export (50 Hz): Hi Flow 2.7 kW with Titanium Element
Electrical Requirements:	North America (60 Hz): 240 VAC@40A or 50A; Export (50 Hz): 230-240 VAC@1x16A, 2x16A (see manual for more configurations); or Suitably Rated Circuit Breaker to Comply with Local Electrical Regulations. Certain Countries May Require Dual Power Inputs; Two GFCI/RCD Breakers are Required for This Configuration.
Limited Warranty*:	North America (60 Hz): 10 Years Shell, 7 Years Shell Surface, 5 Years Plumbing Component Leaks, 5 Years Equipment and Controls, 5 Years Cabinet, 5 Years Jets, 2 Years Lights, 1 Year Stereo Export (50 Hz): 10 Years Shell, 7 Years Shell Surface, 5 Years Plumbing Component Leaks, 5 Years Equipment and Controls, 5 Years Cabinet, 5 Years Jets, 2 Years Lights, 2 Years Stereo
Waterfall Feature:	Adjustable Flow Rate; Colored Lighting
Audio System (Optional):	Factory Installed BLUEWAVE® 2.0 Wireless Spa Stereo System with Auxiliary 3.5 mm headphone jack connection, Bluetooth® compatible, 2 premium speakers and a powered subwoofer
Special Features:	MicroClean® Plus Versatile Filter Lid, Optional (Factory Installed) SmartTub® Module, Optional Inductive Charger



*(See Warranty Document for Specific Details)

Dimensions/Specifications Subject To Change Without Notice

Sundance Spas 880 Capri

Operation/Seat Depths



- (A)** Sunscents Dispenser
- (B)** Air Control - Activates Seat A Jets (12 Fluidix-ST, 2 Fluidix Nex, 4 Accu-Pressure)
- (C)** Massage Selector - Adjusts Massage Level Between Seat A Jets and Seat B Jets
- (D)** Air Control - Activates Seat B Jets (6 Fluidix Reflex, 2 Fluidix Nex, 2 Vortex)
- (E)** Waterfall Selector [8-Hour Circ. Pump] - Controls Waterfall Output

- Focus-Relief Jets: Work with both the blower and Jets Pump 1. The blower introduces air to the jet and the Jets Pump forces water through.

36 Total Jets



Spa Operation Subject To Change Without Notice

SEAT DEPTHS

- A = 24.00" (60.96 cm)**
- B = 24.50" (62.23 cm)**
- C = 12.00" (30.48 cm)**

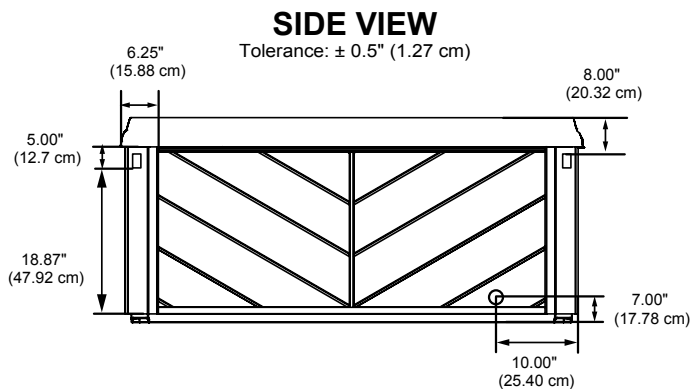
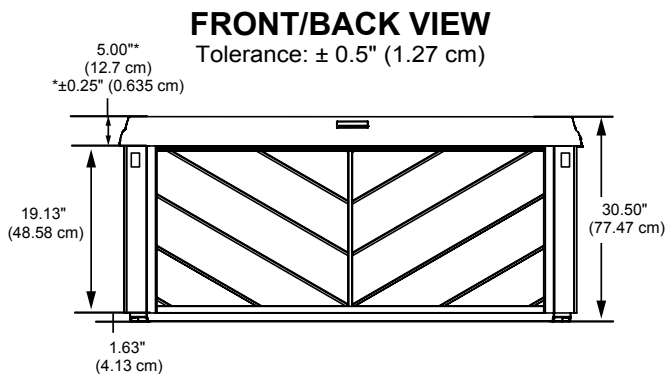
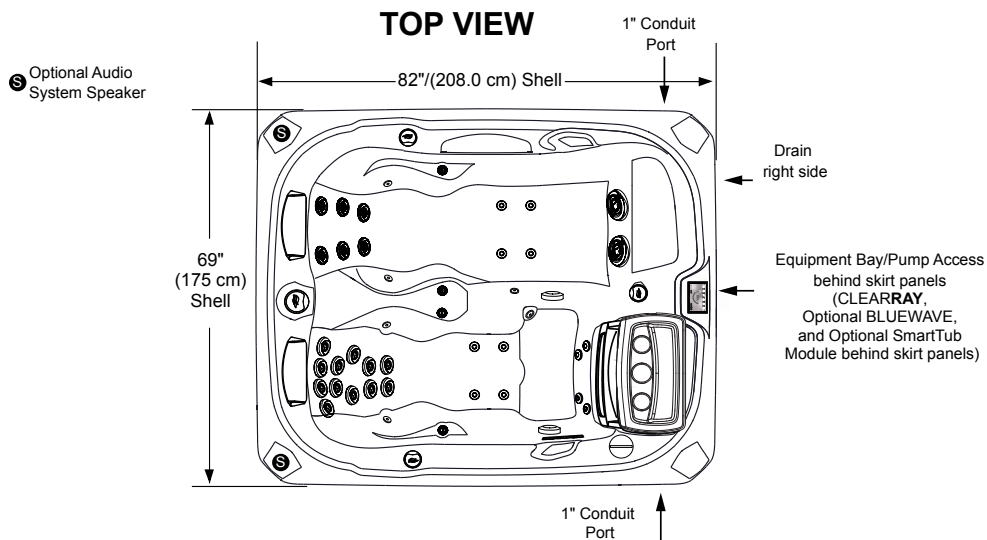
Listed dimensions represent distance from top of acrylic to lowest point in seat. **Tolerance ± 0.5" (1.27 cm).**



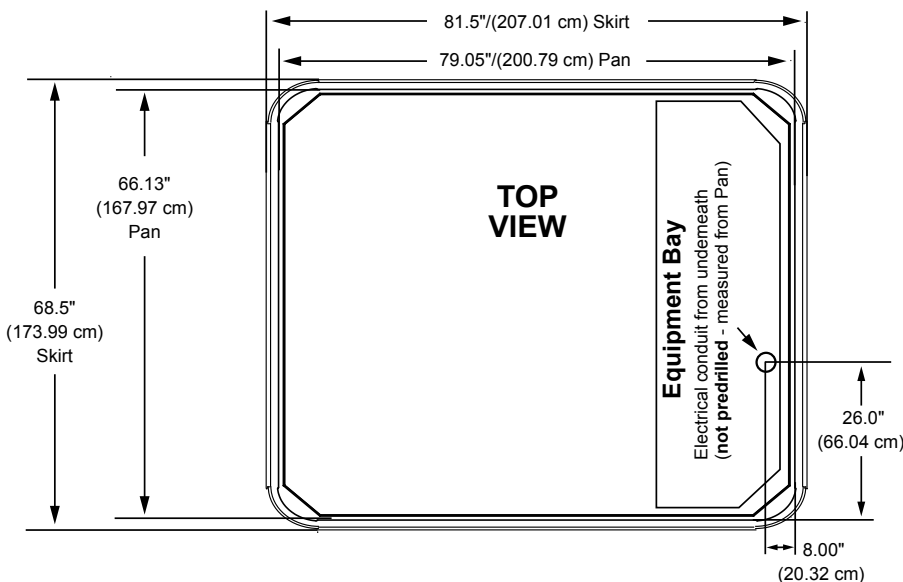
Dimensions/Specifications Subject To Change Without Notice

Sundance Spas 880 Capri

Portable Dimensions



IMPORTANT! Always measure each hot tub for exact dimensions BEFORE designing its foundational support and/or decking.



NOTE: Over time the panel(s) may bow, this is considered normal. The panels will straighten out when reinstalled into the mounting channel. Place one end of the panel into the channel first then flatten the panel and insert the other end.

Dimensions/specifications subject to change without notice. Tolerance: $\pm 0.5"$ (1.27 cm)

Dimensions/Specifications Subject To Change Without Notice