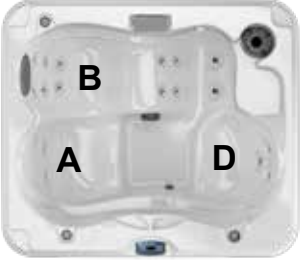


Sundance® Spas 680 Alicia™

Specifications

| | | |
|--|--|---|
| Dimensions | 76" x 66" x 32" (193 cm x 168 cm x 81 cm) |  |
| Seating Capacity | 2-3 Adults | |
| Dry Weight | 492 lbs (223 kg) | |
| Filled Weight (Spa Volume) | 2,780 lbs (1,261 kg) | |
| Filled Weight (Average Fill) | 2,329 lbs (1,056 kg) | |
| Water Capacity (Spa Volume) | 274 US gallons (1,037 Liters) | |
| Water Capacity (Average Fill) | 220 US gallons (833 Liters) | |
| Electronic Controls | Solid state electronic controls with LCD readout, programmable temperature, filtration, and heat cycles | |
| Pump 1 | North America (60 Hz): 2-Speed, 2.5 HP brake, 1.5 HP continuous, 48 Frame Export: (50 Hz): 2-Speed, 2.0 HP continuous | |
| Total Hydrojets: | 19 | |
| Seat A Jets: | 4 DX | |
| Seat B Jet: | 6 DL, 4 DV, 2 DVR | |
| Seat C Jets: | 3 DXL | |
| Air Controls: | 3 | |
| Massage Selectors: | None | |
| Filter: | 50 ft ² Filter Cartridge System | |
| Water Treatment: | Factory installed CLEARARRAY Active Oxygen™ Water Purification System | |
| Lighting: | 6 LED bullet lights (4 above water; 2 underwater) | |
| Synthetic Cabinet: | Available in Coastal, Mahogany | |
| Shell Colors: | Platinum, Celestite (Gypsum), Monaco, Midnight, Porcelain | |
| Headrest: | 1 | |
| Heater: | North America (60 Hz): High Flow, 1 kW@120 VAC or Convertible to 4 kW@240 VAC; Export: (50 Hz): High Flow, 2.7 kW | |
| Electrical Requirements: | North America Convertible Model (60 Hz): 120 VAC@15A with Supplied GFCI Cord or 240 VAC@30A or 40A (Hard Wired Only); Export (50 Hz): 230-240 VAC@1x20A or 2x16A (see manual for more configurations); or Suitably Rated Circuit Breaker to Comply with Local Electrical Regulations. Certain Countries May Require 2 Power Inputs; Two GFCI/RCD Breakers are Required for This Configuration. | |
| Limited Warranty*: | North America (60 Hz): 5 Years Shell, 3 Years Shell Surface, 3 Years Plumbing Component Leaks, 3 Years Equipment and Controls, 1 Year Cabinet, 1 Year Jets Export (50 Hz): 5 Years Shell, 3 Years Shell Surface, 3 Years Plumbing Component Leaks, 3 Years Equipment and Controls, 1 Year Cabinet, 1 Year Jets | |
| Waterfall Feature: | One with ON/OFF valve | |
| Audio System (Optional): | N/A | |
| Special Features (Optional): | Factory Installed SmartTub™ module | |
| Alternative Insulation (Option): .. | Yes | |

*(See Warranty Document for Specific Details)

Dimensions/Specifications Subject To Change Without Notice

Sundance Spas 680 Alicia

Operation/Seat Depths



- Ⓐ Air control - Activates Seat A Jets (4 DX)
- Ⓑ Air control - Activates Seat B Jets (6 DL, 4 DV, 2 DVR)
- Ⓒ Air Control - Activates Seat C Jets (3 DXL)

- Jets Pump 1: Powers All Jets + Waterfall when running

19 Total Jets (Stainless Steel Escutcheons Standard)

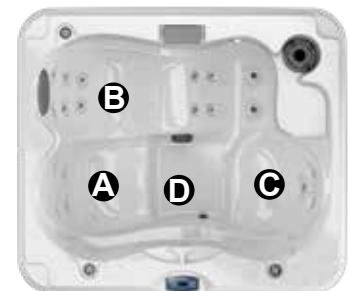


Spa Operation Subject To Change Without Notice

SEAT DEPTHS

- A = 28.25" (71.8 cm)
- B = 27.00" (68.6 cm)
- C = 27.50" (69.9 cm)
- D = 28.70" (73.2 cm)

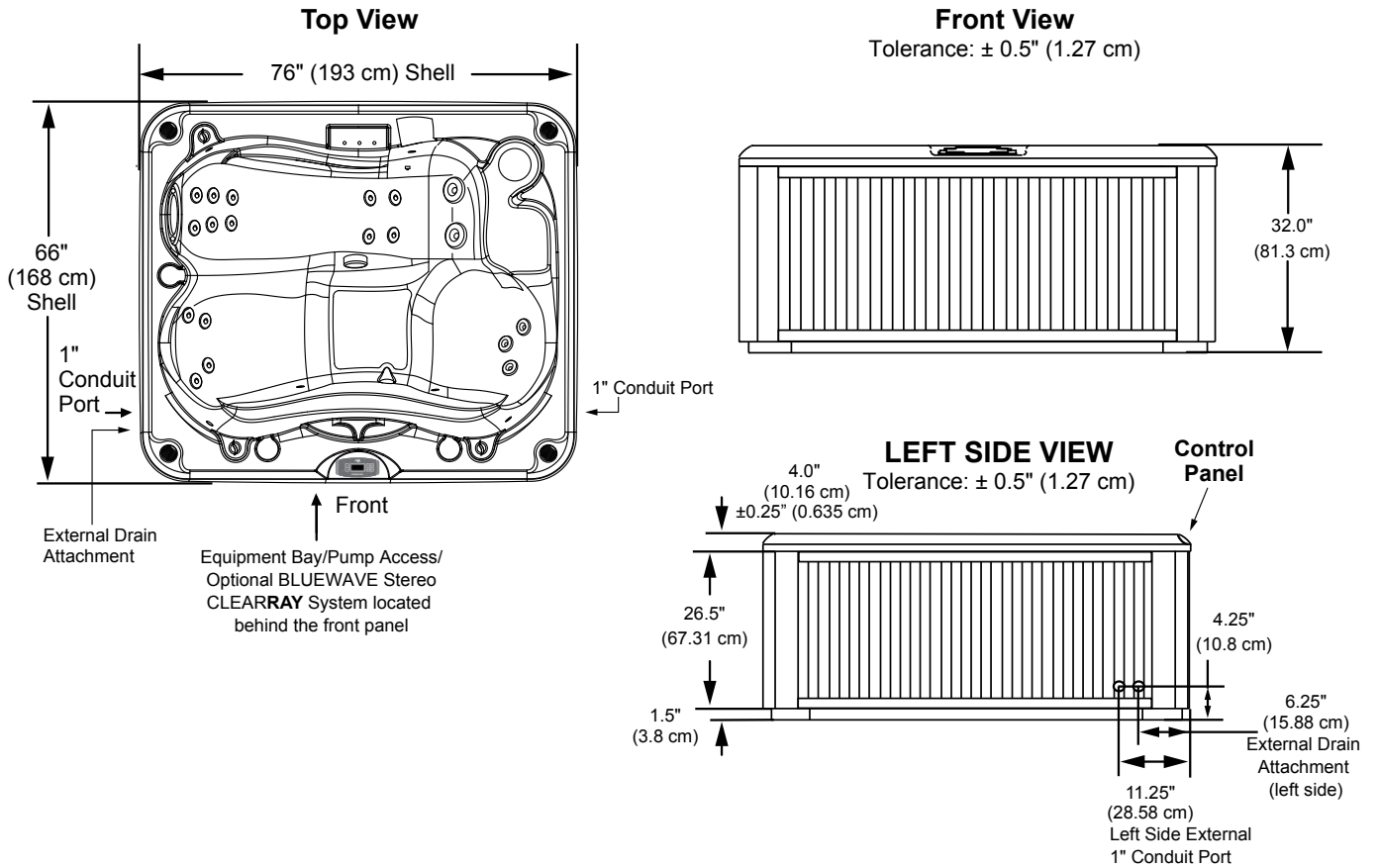
Listed dimensions represent distance from top of acrylic to lowest point in seat. Tolerance $\pm 0.5"$ (1.27 cm).



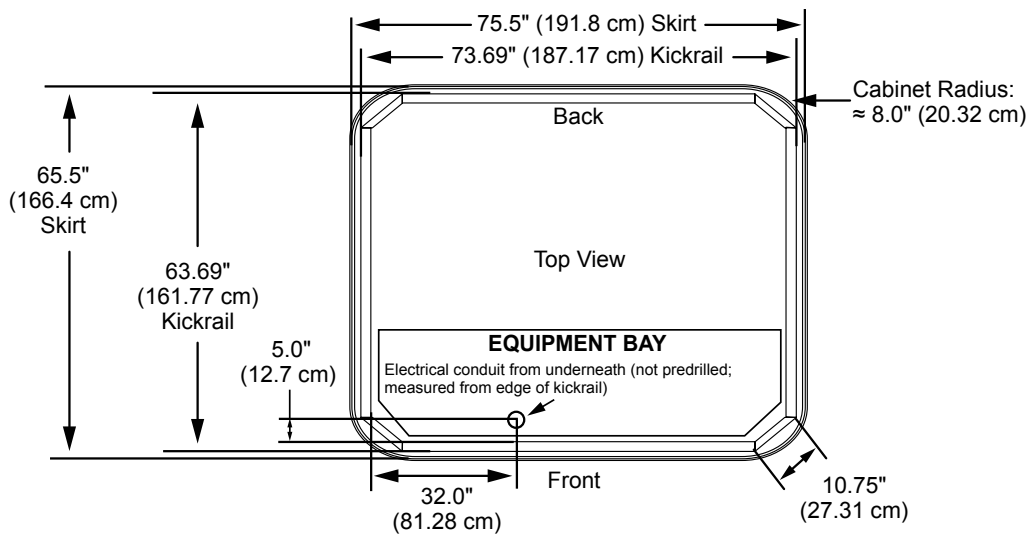
Dimensions/Specifications Subject To Change Without Notice

Sundance Spas 680 Alicia

Portable Dimensions



IMPORTANT! Always measure each hot tub for exact dimensions **BEFORE** designing its foundational support and/or decking.



Dimensions/specifications subject to change without notice. Tolerance: $\pm 0.5"$ (1.27 cm)

Dimensions/Specifications Subject To Change Without Notice

Denne modellen kan kobles med 1-fas 230V C-sikring (treg) og 3-fas (400 volt TN-nett - se egne linjer)

680-serien:

| Alicia | | | |
|---|-------------------|--------------------------|---|
| For å få mest mulig glede av badet anbefaler vi høyeste kurs for optimal drift. | | | |
| | Type varmeelement | Alternativ tilkobling | Funksjon |
| Alicia | 5,5 kW | 32 amp eller 10 + 25 amp | Varmeelement og pumper kan brukes samtidig |
| Alicia | 2,7 kW | 20 amp eller 13 + 10 amp | Varmeelement og pumper kan brukes samtidig |
| Alicia | 2,7 kW | 20 amp | Varmeelementet slår seg av når pumpene settes på høy hastighet. |
| | | | Kretskortinnstillinger |
| | | | Se brukermanual. |
| | | | Se brukermanual. |
| | | | Se brukermanual. |