


Sundance® Spas 680 Edison®

Specifications

Dimensions:	84" x 84" x 36" (213.5 cm x 213.5 cm x 91.44 cm)	
Perimeter	336" (853.4 cm)	
Seating Capacity:	6 Adults	
Dry Weight:	758 lbs (344 kg)	
Filled Weight (Spa Volume):	4,511 lbs (2,046 kg)	
Filled Weight (Average Fill):	3,677 lbs (1,668 kg)	
Water Capacity (Spa Volume):	450 US Gal (1,703 Liters)	
Water Capacity (Average Fill):	350 US Gal (1,325 Liters)	
Controls:	Solid-State Electronic Controls with LCD Readout, Programmable Water Temperature, Filtration, and Heat Cycles	
Water Delivery:	2 High-Flow Pump	
Pump 1:	North America (60 Hz): 2-Speed/2.5 HP Continuous, 11.0A Max., 56 Frame Export (50 Hz): 2-Speed/2.0 HP continuous, 8.0A max.	
Pump 2:	North America (60 Hz): 1-Speed/2.5 HP Continuous, 10A max., 56 Frame Export (50 Hz): 1-Speed/2.0 HP continuous, 8.0A max.	
Total Hydrojets:	35	
Seat A Jets:	3 DXL, 1 DVX	
Seat B Jet:	2 DL	
Seat C Jets:	2 DX, 4 DVR	
Seat D Jet:	2 DST	
Seat E Jets:	2 DX, 6 DL	
Seat F Jet:	1 DL, 4 DXL	
Foot Well Jets (G):	8 DL	
Air Controls/Massage Selectors: ...	3 Air Control; No Massage Selector	
Filter:	50 ft ² Filter Cartridge System	
Water Treatment:	Factory installed CLEARARRAY Active Oxygen™ Clear Water System	
Lighting:	CL Lighting LED System (Interior Surround)	
Synthetic Cabinet:	Available in Coastal, Mahogany	
Shell Colors:	North America: Platinum, Celestite (Gypsum), Monaco, Midnight, Porcelain Export (50 Hz): All North America colors	
Headrest:	Four, 1-piece gray	
Heater:	North America (60 Hz): 5.5 kW 240V High Flow Standard Export (50 Hz): 2.7 kW High Flow Standard	
Electrical Requirements:	North America (60 Hz): 240 VAC@40A, 50A or 60A Export (50 Hz): 230-240 VAC@1x20A or 1x32A, 2x16A or 1x16A/1x20A or 3x16A (see manual for more configurations); or Suitably Rated Circuit Breaker to Comply with Local Electrical Regulations. Certain Countries May Require 2 Power Inputs; Two GFCI/RCD Breakers are Required for This Configuration.	
Limited Warranty*:	North America (60 Hz): 5 Years Shell, 3 Years Shell Surface, 3 Years Plumbing Component Leaks, 3 Years Equipment and Controls, 1 Year Cabinet, 1 Year Jets Export (50 Hz): 5 Years Shell, 3 Years Shell Surface, 3 Years Plumbing Component Leaks, 3 Years Equipment and Controls, 1 Year Cabinet, 1 Year Jets	
Waterfall Feature:	Variable Valve Control	
Audio System (Optional):	N/A	
Speial Features (Optional):	Factory Installed SmartTub™ module	
Alternative Insulation (Option):	Yes	

*(See Warranty Document for Specific Details)

Dimensions/Specifications Subject To Change Without Notice

Sundance Spas 680 Edison

Operation/Seat Depths



- (A)** Air control - Activates Seat A Jets (1 DVX, 3 DXL) + Footwell Jets (2 DL)
 - (B)** Waterfall Selector [Pump 1] - Controls Waterfall Output
 - (C)** Air Control - Activates Seat D Jets (2 DST, 3 DXL) + Footwell Jets (2 DL)
 - (D)** Air Control - Activates Seat C Jets (2 DX, 4 DVR) + Seat F Jet (1 DL, 4 DXL) + Footwell Jets (4 DL)
- Jets Pump 1: Powers Seat A Jets + Seat D Jets + Seat E + Footwell Jets (qty 4) + Waterfall when running
 - Jets Pump 2: Seat C Jets + Seat F Jets + Footwell Jets (qty 4) when running

35 Total Jets (Stainless Steel Escutcheons Standard)



Spa Operation Subject To Change Without Notice

SEAT DEPTHS

A = 25.38" (64.45 cm)
B = 25.00" (63.50 cm)
C = 26.25" (66.68 cm)
D = 22.00" (55.88 cm)
E = 25.63" (65.09 cm)
F = 20.63" (52.39 cm)

G = 26.63" (67.63 cm)
H = 16.00" (40.64 cm)
H = 31.88" (80.96 cm)

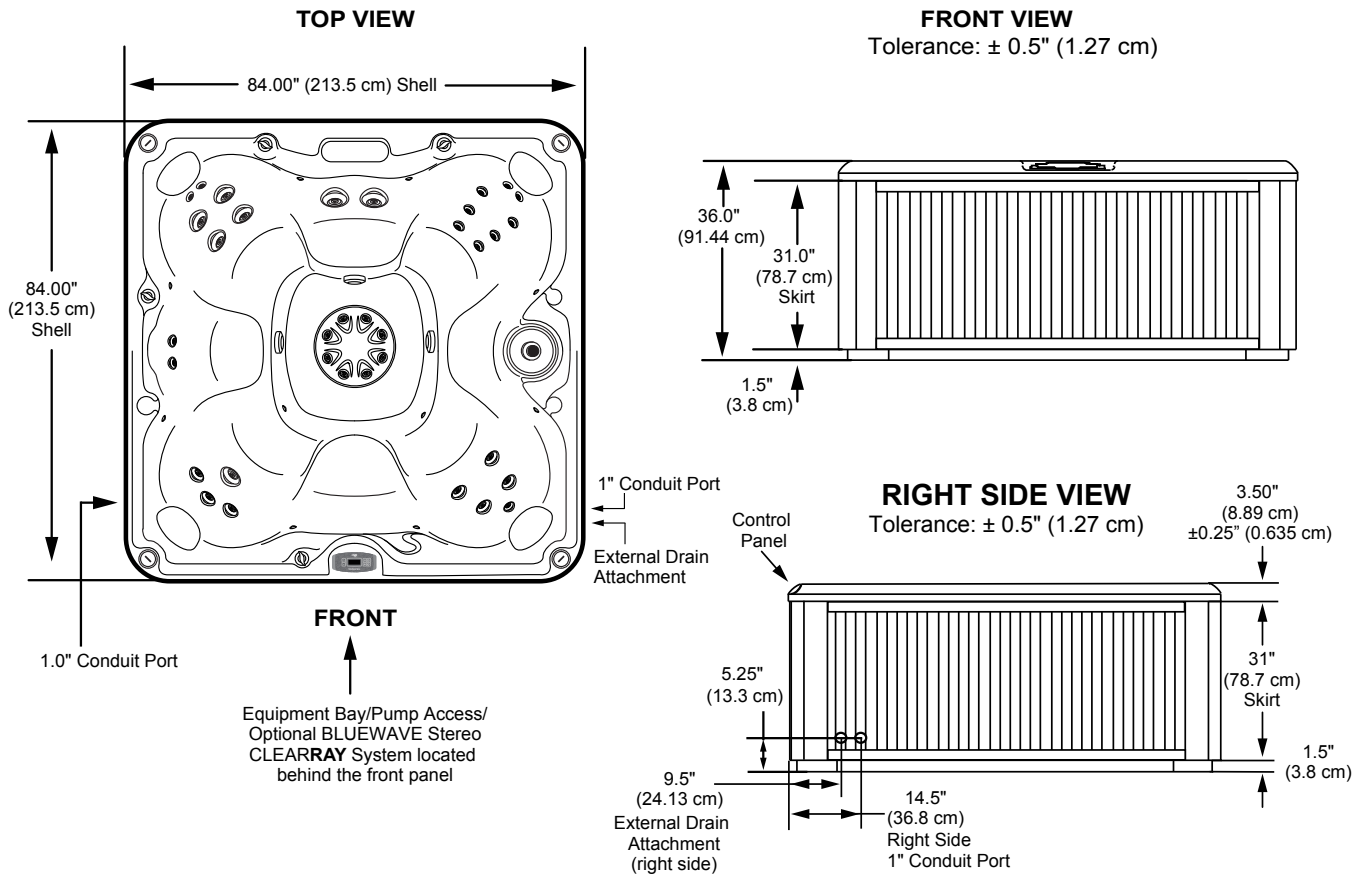
Listed dimensions represent distance from top of acrylic to lowest point in seat. **Tolerance ± 0.5" (1.27 cm).**



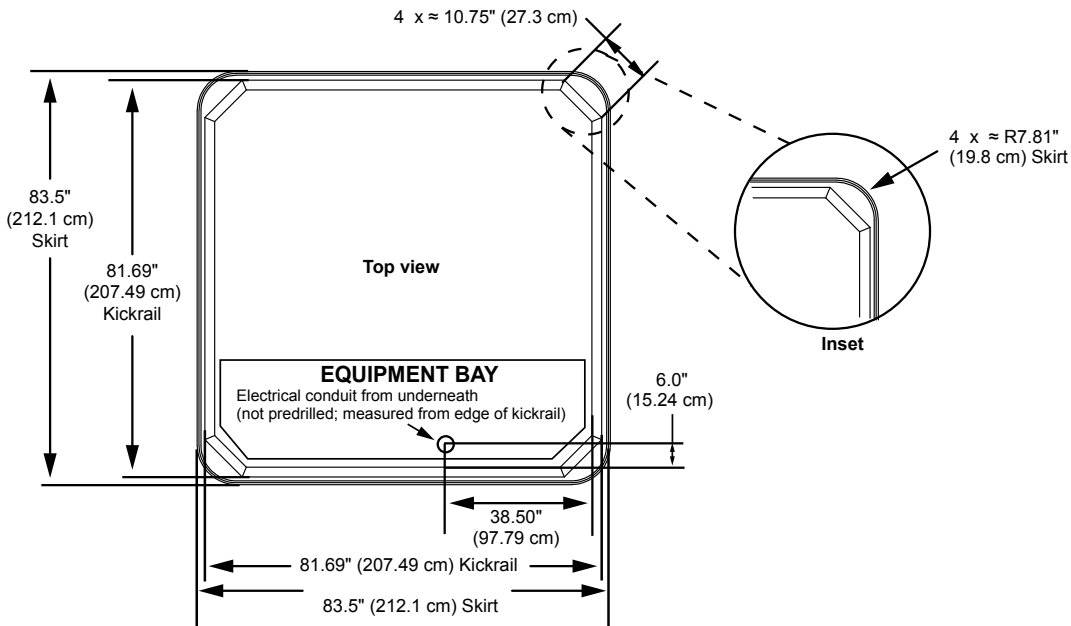
Dimensions/Specifications Subject To Change Without Notice

Sundance Spas 680 Edison

Portable Dimensions



IMPORTANT! Always measure each hot tub for exact dimensions BEFORE designing its foundational support and/or decking.



Dimensions/specifications subject to change without notice. Tolerance: $\pm 0.5"$ (1.27 cm)

Dimensions/Specifications Subject To Change Without Notice

Denne modellen kan kobles med 1-fas 230V C-sikring (treg) og 3-fas (400 volt TN-nett - se egne linjer)

680-serien:

Edison:				
For å få mest mulig glede av badet anbefaler vi høyeste kurs for optimal drift.				
	Type varmeelement	Alternativ tilkobling	Funksjon	Kretskortinnstillinger
Edison	5,5 kW	3-fas (400 volt TN-nett) 25 amp	Varmeelement og pumper kan brukes samtidig	Se brukermanual.
Edison	5,5 kW	40 amp eller 16 + 25 amp	Varmeelement og pumper kan brukes samtidig	Se brukermanual.
Edison	5,5 kW	32 amp	Varmeelementet slår seg av når pumpene settes på høy hastighet. Pumpe 2 har bare høy hastighet.	Se brukermanual.
Edison	2,7 kW	3-fas (400 volt TN-nett) 16 amp	Varmeelement og pumper kan brukes samtidig	Se brukermanual.
Edison	2,7 kW	32 amp eller 16 + 16 amp	Varmeelement og pumper kan brukes samtidig	Se brukermanual.
Edison	2,7 kW	20 amp	Varmeelementet slår seg av når pumpene settes på høy hastighet. Pumpe 2 har bare høy hastighet.	Se brukermanual.