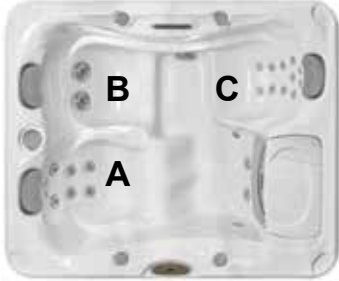


Sundance® Spas 780 Dover™

Specifications

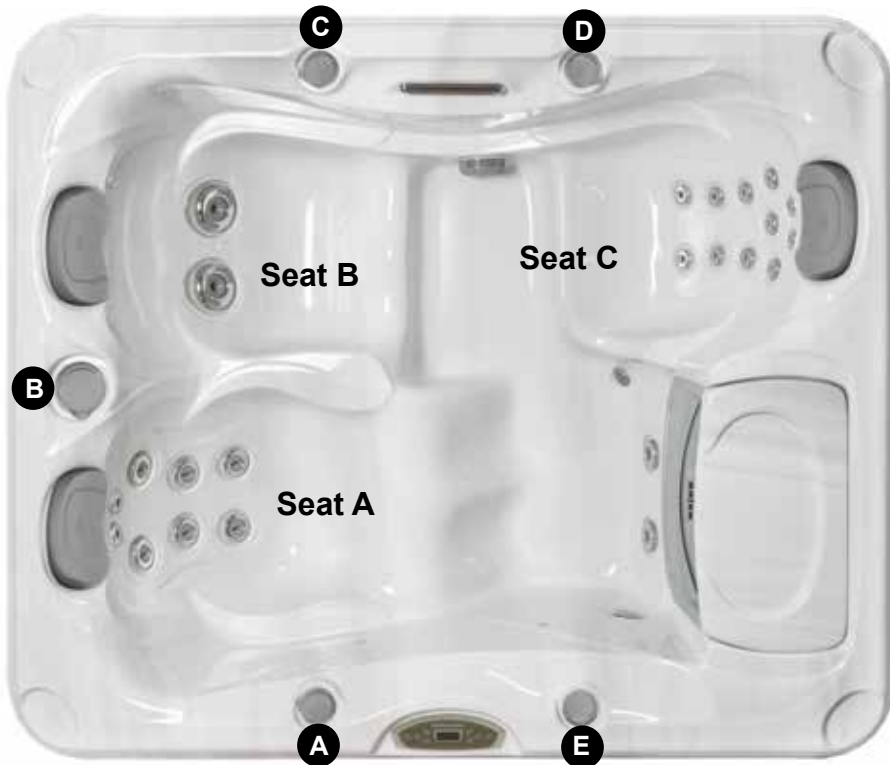
Dimensions:	69" x 82" x 30.5" (175.3 cm x 208.3 cm x 77.5 cm)	
Perimeter	302" (767.1 cm)	
Seating Capacity:	2-3 Adults	
Dry Weight:	620 lbs (281 kg)	
Filled Weight (Spa Volume):	3,247 lbs (1,473 kg)	
Filled Weight (Average Fill):	2,538 lbs (1,151 kg)	
Water Capacity (Spa Volume):	315 US Gal (1,192 Liters)	
Water Capacity (Average Fill):	230 US Gal (871 Liters)	
Controls:	780 Series Solid-State Electronic Controls with LED Readout, Programmable Temperature, Filtration, Heat Cycles	
Water Delivery:	1 High-flow pump	
Pump 1:	North America (60 Hz): 2-Speed/1.5 HP Continuous, 13.0A Max., 48 Frame Export (50 Hz): 2-Speed/2.0 HP Continuous, 8.0A max.	
Pump 2:	24-Hour Filter/Circulation Pump	
Total Hydrojets:	23	
Seat A Jets:	2 SMT Micro, 6 SMT Fluidix, 2 Mini Vortex	
Seat B Jets:	2 Vortex	
Seat C Jets:	2 SMT Micro, 9 Accu-Pressure	
Air Controls/Massage Selectors:	3/1 Standard air control LED lights	
Filter:	MicroClean® Filter System, 125 ft ² Combined Filtration, (1 pleated and 1 spun-bound cartridge)	
Water Treatment:	24-Hour Circulation Pump; Factory installed CLEARRAY Active Oxygen™ Clear Water System	
Lighting:	Standard Multicolored SunRay LED Light; 4 LED Pin Lights; Indicator light; Air controls	
Synthetic Cabinet:	Available in Coastal, Mahogany, Autumn Walnut	
Shell Colors:	North America: Platinum, Celestite (Gypsum), Monaco, Midnight, Porcelain Export (50 Hz): All North America Colors	
Handrails:	N/A	
Headrests:	Three, 1-Piece Gray	
Heater:	North America Convertible Model (60 Hz): Low Flow, 1 kW@120 VAC or Convertible to 4 kW@240 VAC Export (50 Hz): Low flow, 2.7 kW	
Electrical Requirements:	North America Convertible Model (60 Hz): 120 VAC@15A with Supplied GFCI Cord or 240 VAC@30A or 40A (Hard Wired Only); Export (50 Hz): 230-240 VAC@1x16A or 2x16A (see manual for more configurations); or suitably Rated Circuit Breaker to Comply with Local Electrical Regulations. Certain Countries May Require Dual Power Inputs; Two GFCI/RCD Breakers are Required for This Configuration.	
Limited Warranty*:	North America (60 Hz): 10 Years Shell, 7 Years Shell Surface, 5 Years Plumbing Component Leaks, 5 Years Equipment and Controls, 5 Years Cabinet, 2 Years Jets, 2 Years Lights, 1 Year Stereo Export (50 Hz): 10 Years Shell, 7 Years Shell Surface, 5 Years Plumbing Component Leaks, 5 Years Equipment and Controls, 5 Years Cabinet, 2 Years Jets, 2 Years Lights, 2 Years Stereo	
Waterfall Feature:	On/Off Flow Rate on when pump 1 is running; Colored Lighting	
Audio System (Optional):	Factory Installed BLUEWAVE® Spa Stereo System with an Auxiliary 3.5 mm headphone jack connection and Bluetooth® compatible	
Special Features (Optional):	Factory Installed SmartTub™ module	

*(See Warranty Document for Specific Details)

Dimensions/Specifications Subject To Change Without Notice

Sundance Spas 780 Dover

Operation/Seat Depths



- (A)** Air Control - Activates Seat A Jets (2 SMT Micro, 6 SMT Fluidix, 2 Mini Vortex)
- (B)** Massage Selector [Pump 1]- Adjusts Massage Level Between Seat A Jets + Seat B Jets and Seat C Jets
- (C)** Air Control - Activates Seat B Jets (2 Vortex)
- (D)** Air Control - Activates Seat C Jets (2 SMT Micro, 9 Accu-Pressure)
- (E)** Waterfall Selector [Pump 1] - Controls Waterfall Output

23 Total Jets (Stainless Steel Escutcheons Standard)

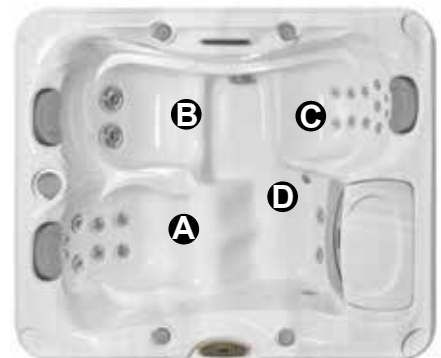


Spa Operation Subject To Change Without Notice

SEAT DEPTHS

- A = 24.50" (62.23 cm)**
- B = 26.63" (67.63 cm)**
- C = 25.75" (65.41 cm)**
- D = 26.50" (67.31 cm)**

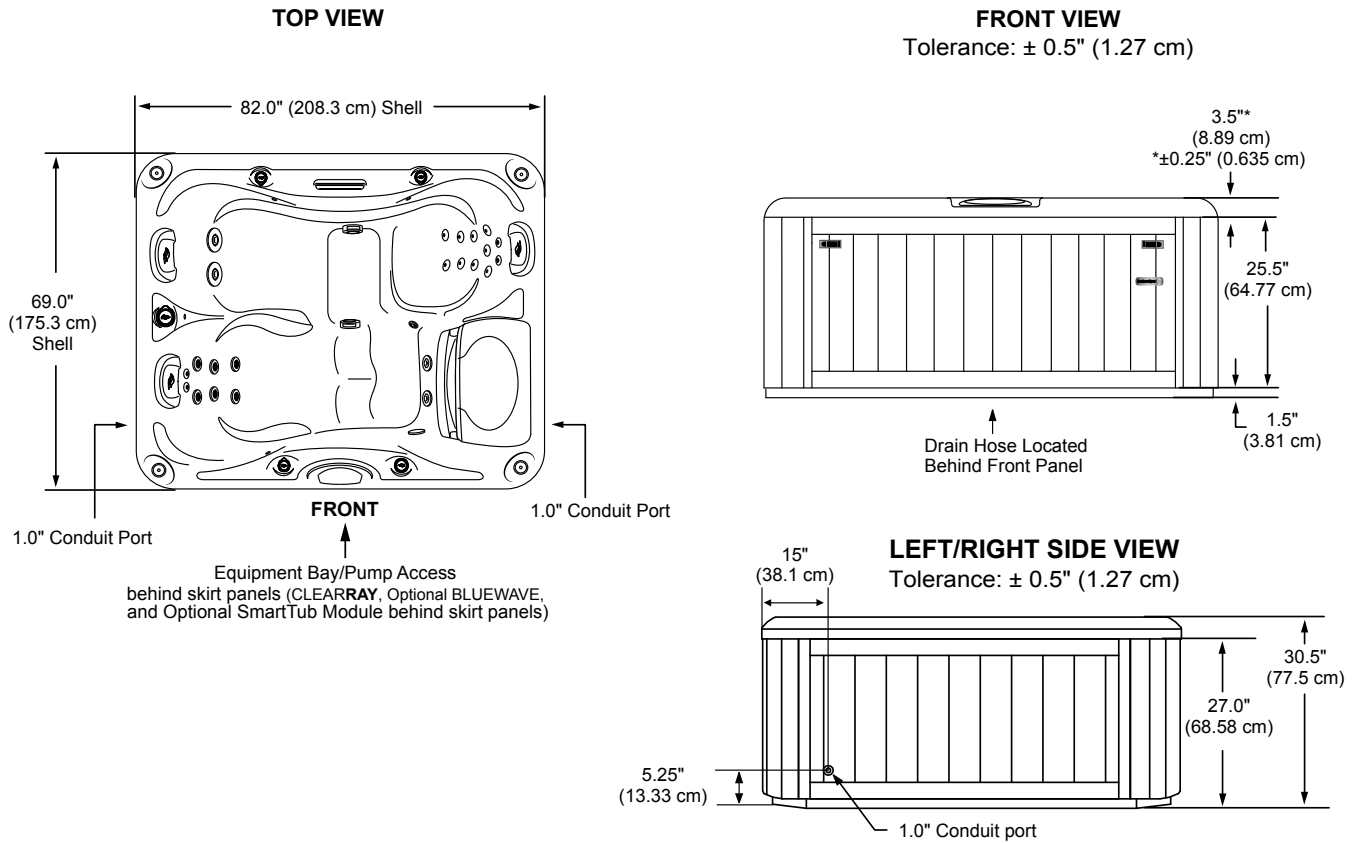
Listed dimensions represent distance from top of acrylic to lowest point in seat. **Tolerance ± 0.5" (1.27 cm).**



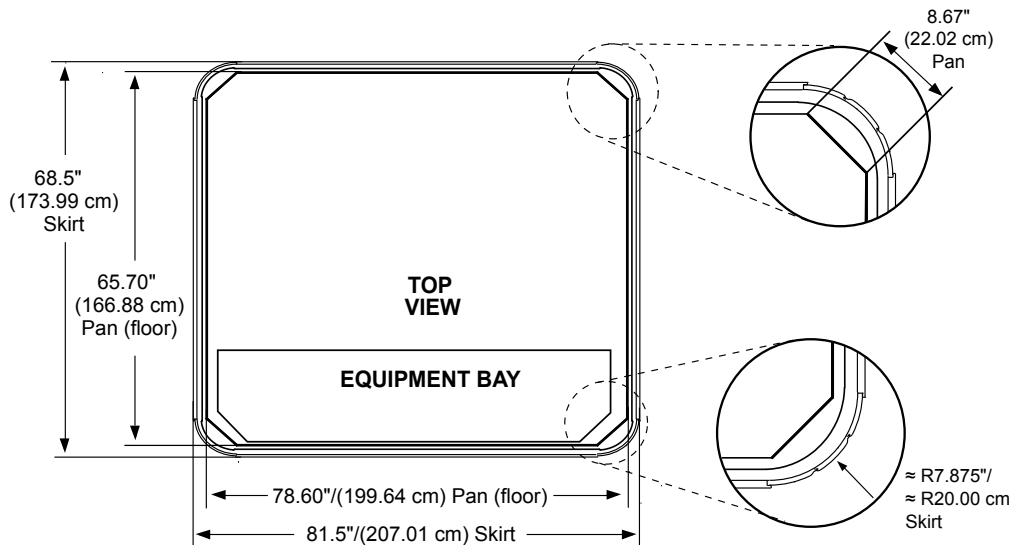
Dimensions/Specifications Subject To Change Without Notice

Sundance Spas 780 Dover

Portable Dimensions



IMPORTANT! Always measure each hot tub for exact dimensions BEFORE designing its foundational support and/or decking.



Dimensions/specifications subject to change without notice. Tolerance: $\pm 0.5"$ (1.27 cm)

Dimensions/Specifications Subject To Change Without Notice

Denne modellen kan kobles med 1-fas 230V C-sikring (treg) og 3-fas (400 volt TN-nett - se egne linjer)

780-serien:

Dover: For å få mest mulig glede av badet anbefaler vi høyeste kurs for optimal drift.				
	Type varmeelement	Alternativ tilkobling	Funksjon	Kretskortinnstillinger
Dover	5,5 kW	40 amp eller 16 + 25 amp	Varmeelement og pumpe kan brukes samtidig	Se brukermanual.
Dover	5,5 kW	25 amp	Varmeelementet slår seg automatisk av når pumpen startes	Se brukermanual.
Dover	2,7 kW	25 amp eller 16 amp + 16 amp	Varmeelement og pumpe kan brukes samtidig	Se brukermanual.
Dover	2,7 kW	16 amp	Varmeelementet slår seg automatisk av når pumpen startes	Se brukermanual.