

# Sundance® Spas 780 Montclair™

## Specifications

<b>Dimensions:</b> .....	75" x 91" x 33.5" (191 cm x 231 cm x 85.09 cm)	
<b>Perimeter</b> .....	332" (843.3 cm)	
<b>Seating Capacity:</b> .....	4-5 Adults	
<b>Dry Weight:</b> .....	790 lbs (358 kg)	
<b>Filled Weight (Spa Volume):</b> .....	4,251 lbs (1,928 kg)	
<b>Filled Weight (Average Fill):</b> .....	3,375 lbs (1,531 kg)	
<b>Water Capacity (Spa Volume):</b> .....	415 US Gal (1,571 Liters)	
<b>Water Capacity (Average Fill):</b> .....	310 US Gal (1,173 Liters)	
<b>Controls:</b> .....	780 Series Solid-State Electronic Controls with LED Readout, Programmable Temperature, Filtration, and Heat Cycles	
<b>Water Delivery:</b> .....	2 High Flow Pump	
<b>Pump 1:</b> .....	North America (60 Hz): 1-Speed/2.5 HP Continuous, 12A Max., 56 Frame <b>Export (50 Hz): 1-Speed/2.0 HP continuous, 8.0A Max.</b>	
<b>Pump 2:</b> .....	North America (60 Hz): 1-Speed/2.5 HP Continuous, 11A Max., 56 Frame <b>Export (50 Hz): 1-Speed/2.0 HP Continuous, 7.0A Max.</b>	
<b>Pump 3:</b> .....	8-Hour Filter/Circulation Pump; High Output Flow	
<b>Total Hydrojets:</b> .....	<b>30</b>	
<b>Seat A Jets:</b> .....	6 SMT Fluidix, 2 Adjustable Accu-Pressure, 2 Mini Vortex	
<b>Seat B Jets:</b> .....	1 Vortex	
<b>Seat C Jets:</b> .....	2 SMT Micro, 9 Accu-Pressure	
<b>Seat D Jets:</b> .....	4 Mini Vortex, 2 Vortex	
<b>Footwell Jets (E):</b> .....	2 Mini Vortex	
<b>Air Controls/Massage Selectors:</b> .....	3/1 Standard air control with LED lights	
<b>Filter:</b> .....	MicroClean® I Filtration System with Floating Weir, 125 ft² combined filtration, (1 pleated and 1 spun-bound cartridge)	
<b>Water Treatment:</b> .....	8-Hour Circulation Pump; Factory installed CLEARARRAY Active Oxygen™ Clear Water System	
<b>Lighting:</b> .....	Standard Multi-Colored SunRay LED Light; 6 LED Pin Lights; Indicator light; Air controls	
<b>Synthetic Cabinet:</b> .....	Available in Coastal, Mahogany, Autumn Walnut	
<b>Shell Colors:</b> .....	North America: Platinum, Celestite (Gypsum), Monaco, Midnight, Porcelain <b>Export (50 Hz): All North America Colors</b>	
<b>Handrails:</b> .....	N/A	
<b>Headrests:</b> .....	Three, 1-Piece Gray	
<b>Heater:</b> .....	North America Model (60 Hz): High Flow 5.5 kW@240 VAC; <b>Export (50 Hz): High Flow, 2.7 kW</b>	
<b>Electrical Requirements:</b> .....	North America Model (60 Hz): 240 VAC@40A, 50A or 60A <b>Export (50 Hz): 230-240 VAC@1x20A, 1x16A/1x20A, or 3x16A (see manual for more configurations); or Suitably Rated Circuit Breaker to Comply with Local Electrical Regulations. Certain Countries May Require Dual Power Inputs; Two GFCI/RCD Breakers are Required for This Configuration.</b>	
<b>Limited Warranty*:</b> .....	North America (60 Hz): 10 Years Shell, 7 Years Shell Surface, 5 Years Plumbing Component Leaks, 5 Years Equipment and Controls, 5 Years Cabinet, 2 Years Jets, 2 Years Lights, 1 Year Stereo <b>Export (50 Hz): 10 Years Shell, 7 Years Shell Surface, 5 Years Plumbing Component Leaks, 5 Years Equipment and Controls, 5 Years Cabinet, 2 Years Jets, 2 Years Lights, 2 Years Stereo</b>	
<b>Waterfall Feature:</b> .....	On/Off Flow Rate on when circulation pump is running; Colored Lighting	
<b>Audio System (Optional):</b> .....	Factory Installed BLUEWAVE® Spa Stereo System with an Auxiliary 3.5 mm headphone jack connection and Bluetooth® compatible	
<b>Special Features (Optional):</b> .....	Factory Installed SmartTub™ module	

\*(See Warranty Document for Specific Details)

Dimensions/Specifications Subject To Change Without Notice

# Sundance Spas 780 Montclair

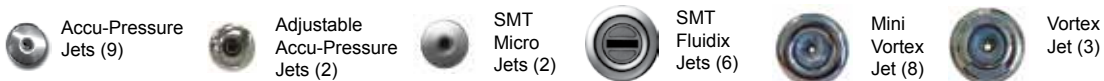
## Operation/Seat Depths



- (A) Air Control - Activates Seat A Jets (6 SMT Fluidix, 2 Adjustable Accu-Pressure, 2 Mini Vortex)
- (B) Massage Selector [Pump 1]- Adjusts Massage Level Between Seat A Jets and Seat C Jets
- (C) Air Control - Activates Seat C Jets (2 SMT Micro, 9 Accu-Pressure)
- (D) Air Control - Activates Seat B Jets (1 Vortex) + Seat D Jets (4 Mini Vortex, 2 Vortex) + Footwell Jets (2 Mini Vortex)
- (E) Waterfall Selector [8-Hour Circ. Pump] - Controls Waterfall Output

• Jets Pump 2: Seat B Jets + Seat D Jets + Footwell Jets are always on when the jets pump is running

### 30 Total Jets (Stainless Steel Escutcheons Standard)



Spa Operation Subject To Change Without Notice

## SEAT DEPTHS

- A = 24.63" (62.55 cm)
- B = 24.63" (62.55 cm)
- C = 27.75" (70.49 cm)
- D = 22.75" (57.79 cm)
- E = 25.75" (65.41 cm)
- F = 30.38" (77.15 cm)

Listed dimensions represent distance from top of acrylic to lowest point in seat. **Tolerance ± 0.5" (1.27 cm).**

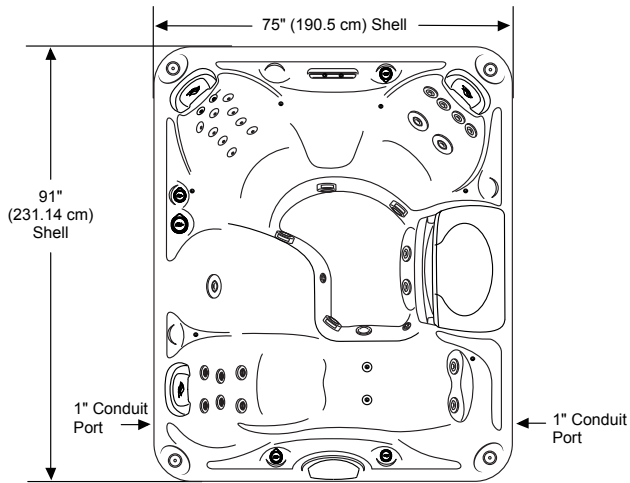


Dimensions/Specifications Subject To Change Without Notice

# Sundance Spas 780 Montclair

## Portable Dimensions

**TOP VIEW**

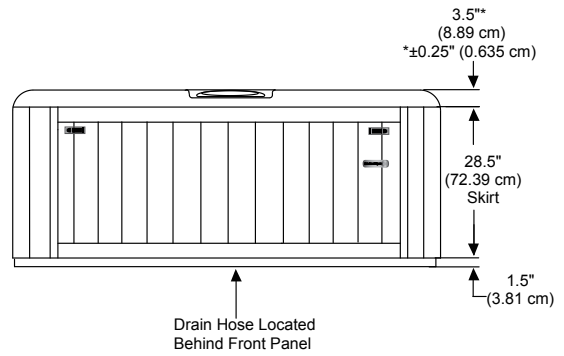


**FRONT**

Equipment Bay/Pump Access  
behind skirt panels (CLEARRAY, Optional BLUEWAVE,  
and Optional SmartTub Module behind skirt panels)

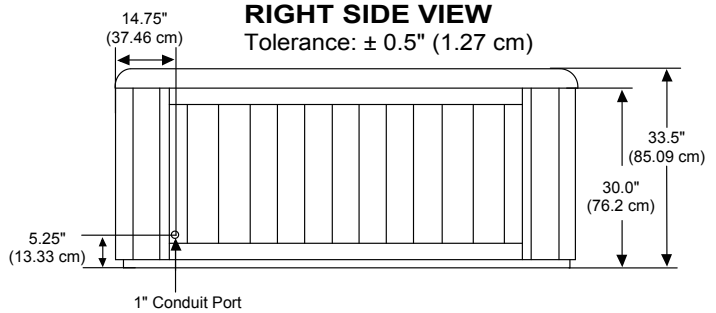
**FRONT/BACK VIEW**

Tolerance:  $\pm 0.5"$  (1.27 cm)

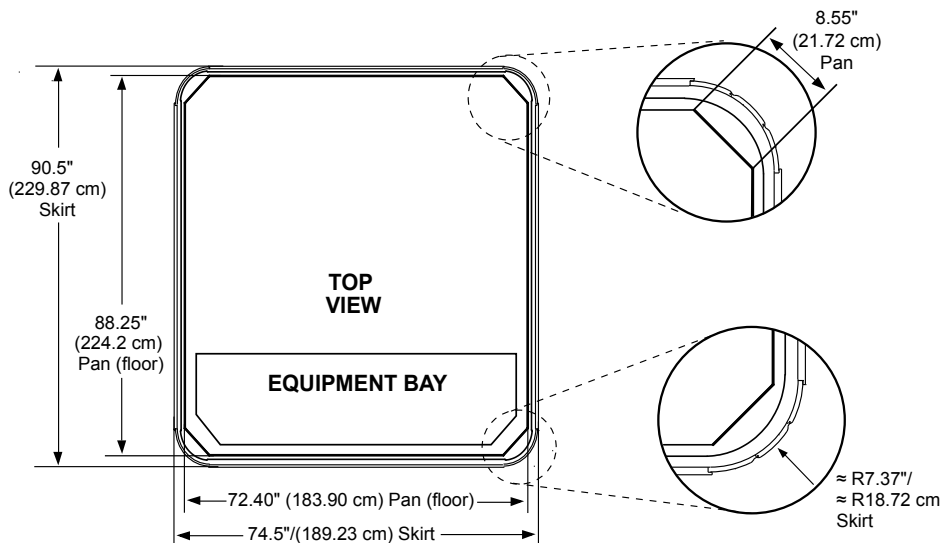


**RIGHT SIDE VIEW**

Tolerance:  $\pm 0.5"$  (1.27 cm)



**IMPORTANT! Always measure each hot tub for exact dimensions BEFORE designing its foundational support and/or decking.**



Dimensions/specifications subject to change without notice. Tolerance:  $\pm 0.5"$  (1.27 cm)

Dimensions/Specifications Subject To Change Without Notice

Denne modellen kan kobles med 1-fas 230V C-sikring (treg) og 3-fas (400 volt TN-nett - se egne linjer)

**780-serien:**

For å få mest mulig glede av badet anbefaler vi høyeste kurs for optimal drift.			
Montclair:	Type varmeelement	Alternativ tilkobling	Funksjon
Montclair	5,5 kW	3-fas (400 volt TN-nett) 25 amp	Varmeelement og pumper kan brukes samtidig
Montclair	5,5 kW	40 amp eller 20 + 25 amp	Varmeelement og pumper kan brukes samtidig
Montclair	5,5 kW	25 amp	Alle pumper kan brukes samtidig. Varmeelementet slår seg automatisk av når pumpene startes.
Montclair	2,7 kW	3-fas (400 volt TN-nett) 16 amp	Varmeelement og pumper kan brukes samtidig
Montclair	2,7 kW	32 amp eller 16 + 20 amp	Varmeelement og pumper kan brukes samtidig
Montclair	2,7 kW	20 amp	Varmeelementet slår seg automatisk av når pumpene startes.

Kretskortinnstillinger

Se brukermanual.

Se brukermanual.

Se brukermanual.

Se brukermanual.

Se brukermanual.

Se brukermanual.