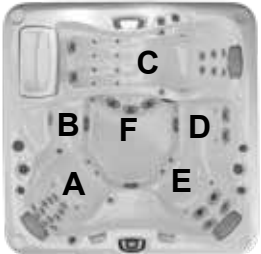


Sundance® Spas 880 Cameo®

Specifications

Dimensions:	89" x 89" x 37.5" (226 cm x 226 cm x 95.25 cm)	
Perimeter	356" (904.2 cm)	
Seating Capacity:	5-6 Adults	
Dry Weight:	962 lbs (436 kg)	
Filled Weight (Spa Volume):	4,882 lbs (2,214 kg)	
Filled Weight (Average Fill):	4,048 lbs (1,836 kg)	
Water Capacity (Spa Volume):	470 US Gal (1,779 Liters)	
Water Capacity (Average Fill):	370 US Gal (1,401 Liters)	
Controls:	880 Touch Interface LCD Control, Displays Temperature, Time, Cycles and Jet/Air System Control. Offers Customizing of Filtration Cycles, Lighting, Water Temperature Setting and other features	
Water Delivery:	2 TheraMax High Flow Pumps and 8-Hour Dynamic Flow Circulation System	
Pump 1:	North America (60 Hz): 1-Speed/2.5 HP Continuous, 11.3A Max., 56 Frame Export (50 Hz): 1-Speed/2.0 HP Continuous, 7.0A Max.	
Pump 2:	North America (60 Hz): 1-Speed/2.5 HP Continuous, 11.3A Max., 56 Frame Export (50 Hz): 1-Speed/2.0 HP Continuous, 7.0A Max.	
Pump 3:	High Output Dynamic Flow, 8-Hour Filter/Circulation Pump (35 gpm) Programmable for Daily Start Time and Duration	
Total Hydrojets:	54	
Seat A Jets:	2 Fluidix Nex, 12 Fluidix-ST, 2 Accu-Pressure, 2 Pulsator	
Seat B Jets:	1 Whirlpool	
Seat C Jets:	2 Fluidix Nex, 6 Fluidix Reflex, 2 Pulsator, 2 Accu-Pressure, 2 Vortex, 8 Focus-Relief®	
Seat D Jets:	2 Vortex	
Seat E Jets:	2 Vortex, 2 Fluidix Intelli-Jet, 2 Accu-Pressure, 2 Fluidix Nex	
Footwell Jets (F):	3 Whirlpool	
Air Blower:	High-Efficiency, 1-Speed	
Aromatherapy Delivery:	6 Air Injector Jets with Quiet High Speed Air Pump	
Air Controls/Massage Selectors:	5/2 (Standard air control with LED lights and massage selector with LED lights)	
Filter:	MicroClean® Ultra Filtration System, 130 ft² (2 interlocking cartridge filters)	
Water Treatment:	Automatic Brominator and Dynamic Flow Circulation System; Factory installed CLEARRAY Active Oxygen™ Clear Water System	
Lighting:	Multi-Colored Sunglow LED Lighting System (1 Waterfall, 1 Footwell, 5 Air control, 2 Massage Selectors, 2 Backlit handrails, Exterior lights)	
Skirt Cabinet (SunSide™):	Modern Hardwood, Brushed Gray and Vintage Oak (Equipped with Standard Exterior Lights)	
Shell Colors:	North America: Platinum, Celestite (Gypsum), Monaco, Midnight, Porcelain Export (50 Hz): All North America Colors	
Handrails:	Two High Quality Stainless Steel with backlit LED lighting	
ComforTone Headrests:	Three, 1-Piece Gray	
Heater:	North America (60 Hz): Low Flow 5.5 kW with Titanium Element Export (50 Hz): Low Flow 2.7 kW with Titanium Element	
Electrical Requirements:	North America (60 Hz): 240 VAC@40A, 50A or 60A; Export (50 Hz): 230-240 VAC@1x40A or 1x16A/1x32A, 1x20A/1x16A, 3x16A (see manual for more configurations); or Suitably Rated Circuit Breaker to Comply with Local Electrical Regulations. Certain Countries may Require 2 Power Inputs; Two GFCI/RCD Breakers are Required for This Configuration.	
Limited Warranty*:	North America (60 Hz): 10 Years Shell, 7 Years Shell Surface, 5 Years Plumbing Component Leaks, 5 Years Equipment and Controls, 5 Years Synthetic Cabinet, 5 Years Jets, 2 Years Lights, 1 Year Stereo Export (50 Hz): 10 Years Shell, 7 Years Shell Surface, 5 Years Plumbing Component Leaks, 5 Years Equipment and Controls, 5 Years Synthetic Cabinet, 5 Years Jets, 2 Years Lights, 2 Years Stereo	
Waterfall Feature:	Adjustable Flow Rate; Colored Lighting	
Audio System (Optional):	Factory Installed BLUEWAVE® 2.0 Wireless Spa Stereo System with Auxiliary 3.5 mm headphone jack connection, Bluetooth® compatible, 4 premium speakers and a powered subwoofer	
Special Features:	MicroClean® Plus Versatile Filter Lid, Optional Filter Lid Pillow seat, Optional (Factory Installed) SmartTub™ Module	

*(See Warranty Document for Specific Details)

Dimensions/Specifications Subject To Change Without Notice

Sundance Spas 880 Cameo

Operation/Seat Depths



- (A)** Air Control - Activates Upper Eight Seat A Jets (2 Fluidix Nex, 6 Fluidix-ST)
- (B)** Air Control - Activates Lower Seat A Jets (6 Fluidix-ST, 2 Accu-Pressure, 2 Pulsator) + Seat D Jets (2 Vortex)
- (C)** Massage Selector [Pump 1] - Adjusts Massage Level Between Footwell Jets and Seat A Jets + Seat D Jets
- (D)** Sunscents Dispenser
- (E)** Waterfall Selector [8-Hour Circ. Pump] - Controls Waterfall Output
- (F)** Air Control - Activates Seat C Jets (2 Fluidix Nex, 6 Fluidix Reflex, 2 Accu-Pressure, 2 Pulsator, 2 Vortex) + Lower Four Seat E Jets (2 Fluidix Intelli-Jet, 2 Accu-Pressure) + Upper Two Seat E Jets (2 Fluidix Nex)
- (G)** Air Control - Activates the Footwell Jets (3 Whirlpool)
- (H)** Massage Selector [Pump 2] - Adjusts Massage Level Between Seat E Jets + Seat B and Seat C Jets
- (I)** Air Control - Activates Upper 2 Seat E Jets (2 Vortex) + Seat B Jet (1 Whirlpool)

54 Total Jets



- Focus-Relief Jets: Work with both the blower and Jets Pump 2. The blower introduces air to the jet and the Jets Pump forces water through.

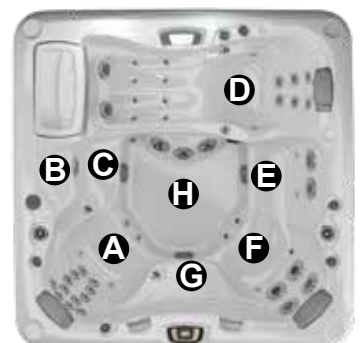
Spa Operation Subject To Change Without Notice

SEAT DEPTHS

- A = 28.00" (71.12 cm)**
- B = 7.50" (19.05 cm)**
- C = 20.00" (50.80 cm)**
- D = 26.00" (66.04 cm)**
- E = 24.50" (62.23 cm)**
- F = 24.50" (62.23 cm)**

- G = 17.00" (43.18 cm)**
- H = 31.00" (78.74 cm)**

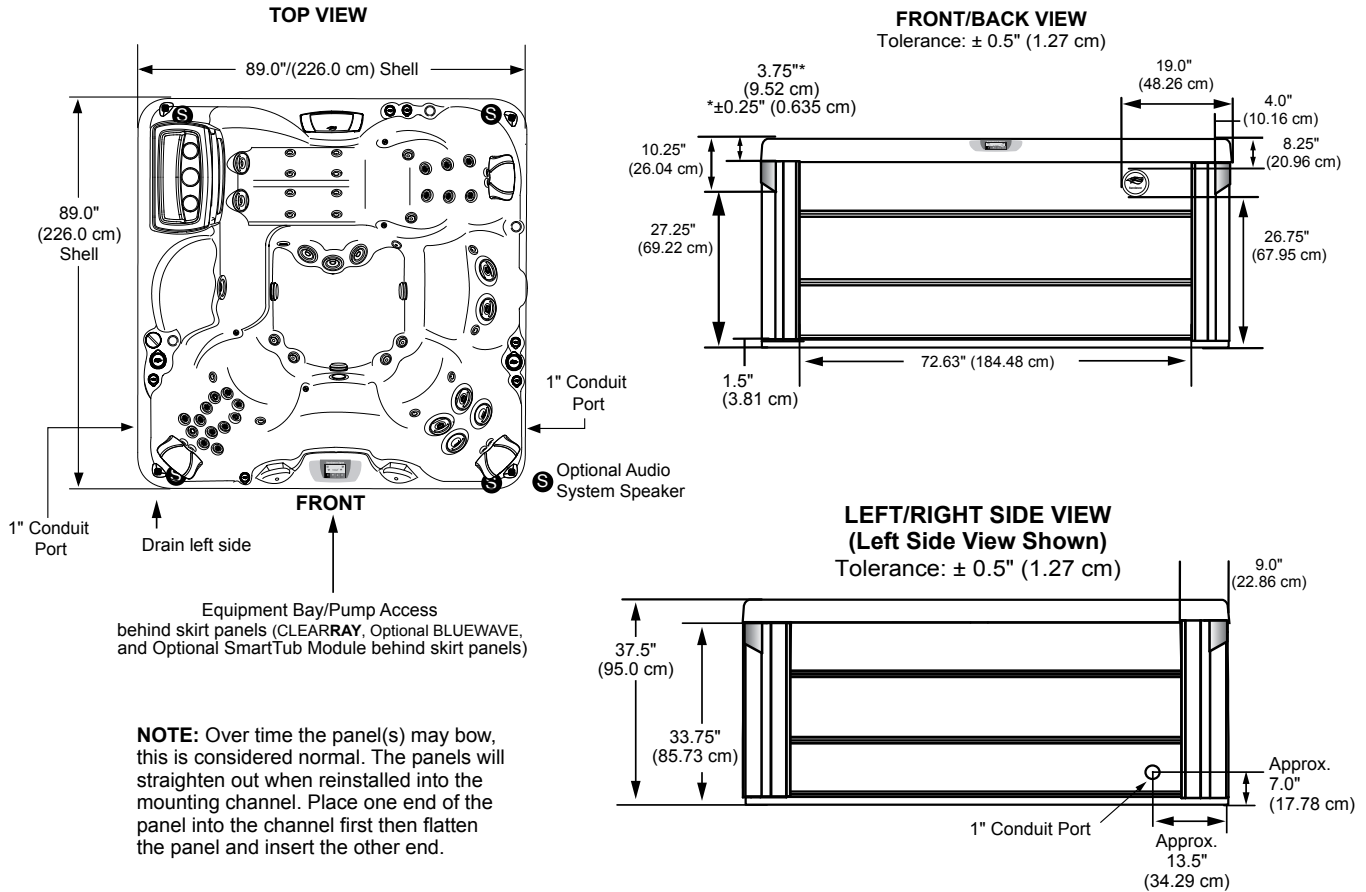
Listed dimensions represent distance from top of acrylic to lowest point in seat. **Tolerance ± 0.5" (1.27 cm).**



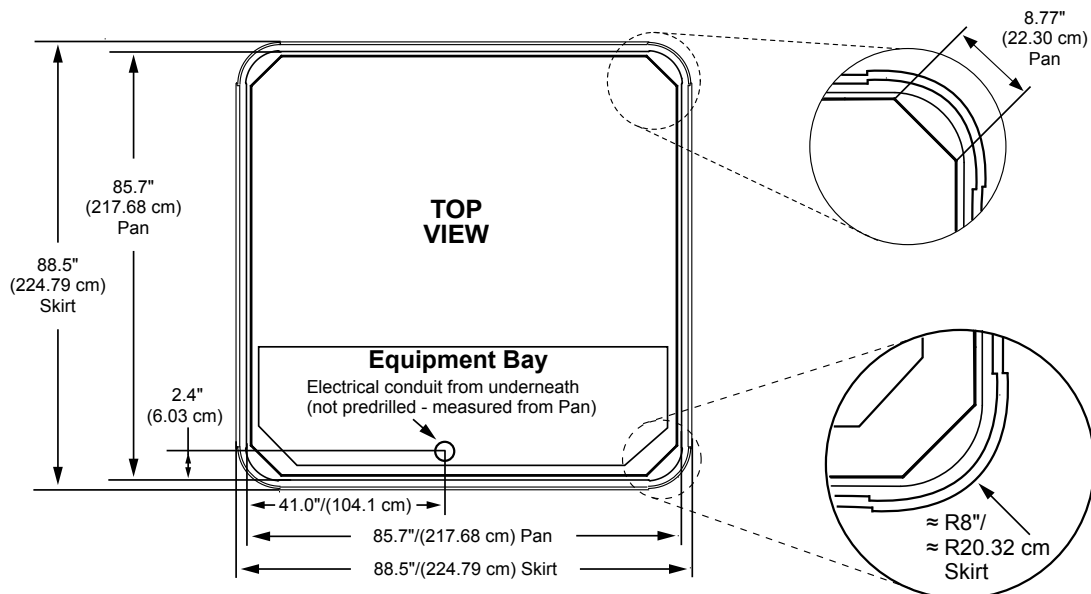
Dimensions/Specifications Subject To Change Without Notice

Sundance Spas 880 Cameo

Portable Dimensions



IMPORTANT! Always measure each hot tub for exact dimensions **BEFORE** designing its foundational support and/or decking.




Dimensions/specifications subject to change without notice. Tolerance: $\pm 0.5"$ (1.27 cm)

Dimensions/Specifications Subject To Change Without Notice

SunSide Dimensions

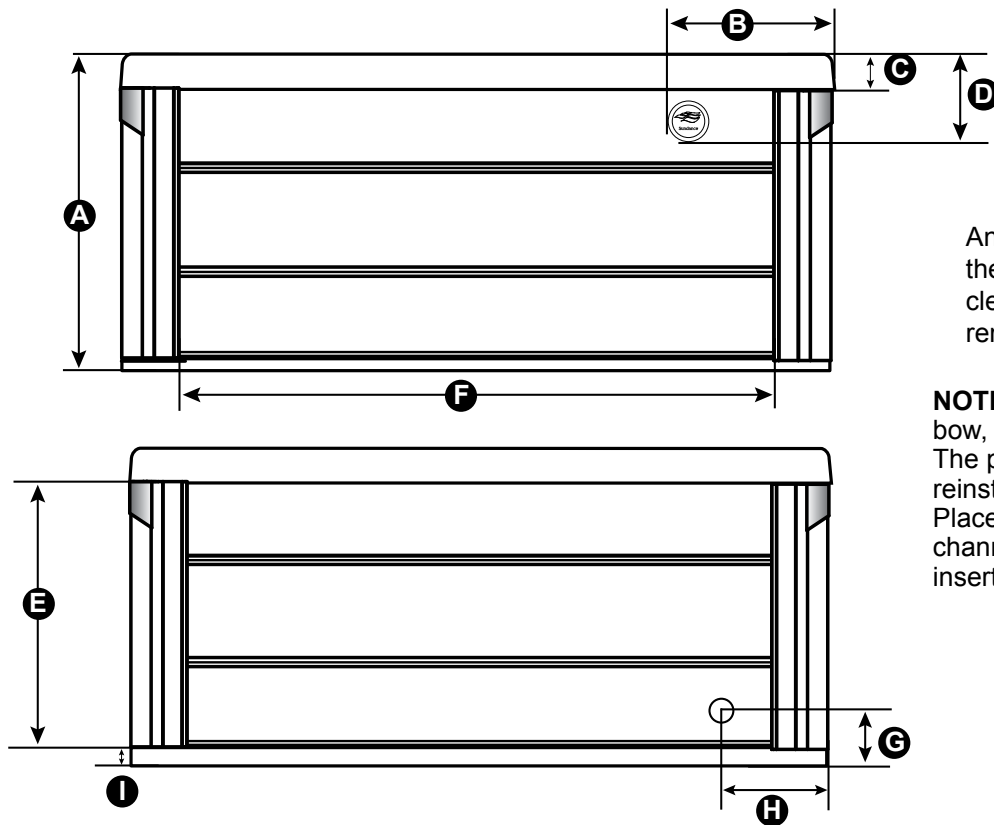
Spa Models	DIMENSIONS A-F (All measurements are an approximate)					
	A	B	C* *±0.25" (0.635 cm)	D	E	F
Maxxus	41.5" (105.41 cm)	19.0" (48.26 cm)	5.5" (13.97 cm)	13.0" (33.02 cm)	32.5" (82.55 cm)	73.5" (186.69 cm)
Aspen						
Optima	37.5" (95.25 cm)		3.75" (9.53 cm)	10.75" (27.31 cm)	32.25" (81.92 cm)	71.5" (181.61 cm)
Cameo						
Altamar						
Marin	34" (86.36 cm)		3.5" (8.89 cm)	9.5" (24.13 cm)	25.5" (64.77 cm)	64.25" (163.19 cm)
Capri	30.5" (77.47 cm)					

DIMENSIONS G-I (All measurements are an approximate)			
	G	H	I
Maxxus	8.0" (20.32 cm)	13.0" (33.02 cm)	3.5" (8.89 cm)
Aspen			
Optima	7.0" (17.78 cm)	13.5" (34.29 cm)	1.5" (3.81 cm)
Cameo			
Altamar			
Marin	6.5" (16.51 cm)	13.0" (33.02 cm)	
Capri	4.0" (10.16 cm)	14.5" (36.86 cm)	



IMPORTANT! Always measure each hot tub for exact dimensions BEFORE designing its foundation support and/or decking.

- Dimensions Subject to Change Without Notice - Tolerance: ± 0.5" (1.27 cm)



An 18" clearance, all around the spa, is recommended. This clearance is needed for panel removal or when servicing.

NOTE: Over time the panel(s) may bow, this is considered normal. The panels will straighten out when reinstalled into the mounting channel. Place one end of the panel into the channel first then flatten the panel and insert the other end.

Tolerance: ± 0.5" (1.27 cm)

Dimensions/Specifications Subject To Change Without Notice

Denne modellen kan kobles med 1-fas 230V C-sikring (treg) og 3-fas (400 volt TN-nett - se egne linjer)

880-serien:

Cameo:		For å få mest mulig glede av badet anbefaler vi høyeste kurs for optimal drift.			Kretskortinnstillinger
	Type varmeelement	Alternativ tilkobling	Funksjon		
Cameo	5,5 kW	3-fas (400 volt TN-nett) 25 amp	Varmeelement og pumper kan brukes samtidig		Se brukermanual.
Cameo	5,5 kW	40 amp eller 20 + 25 amp	Varmeelement og pumper kan brukes samtidig		Se brukermanual.
Cameo	5,5 kW	25 amp	Alle pumper kan brukes samtidig. Varmeelementet slår seg automatisk av når pumpene startes.		Se brukermanual.
Cameo	2,7 kW	3-fas (400 volt TN-nett) 16 amp	Varmeelement og pumper kan brukes samtidig		Se brukermanual.
Cameo	2,7 kW	32 amp eller 16 + 20 amp	Varmeelement og pumper kan brukes samtidig		Se brukermanual.
Cameo	2,7 kW	20 amp	Alle pumper kan brukes samtidig. Varmeelementet slår seg automatisk av når en av pumpene startes.		Se brukermanual.