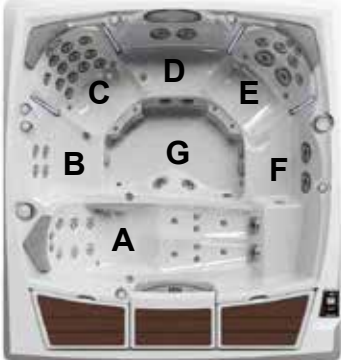


# Sundance® Spas 980™ Claremont™

## Specifications

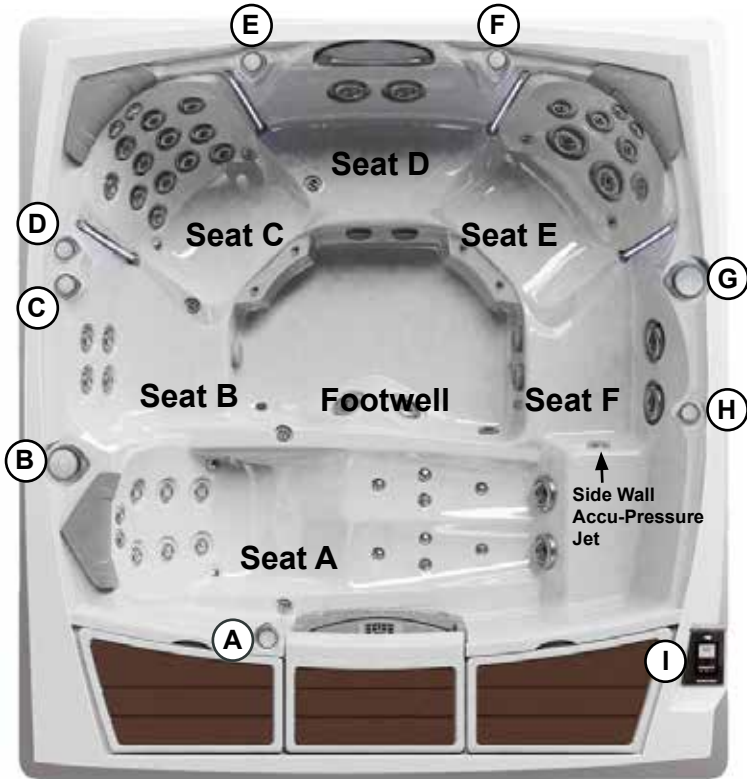
<b>Dimensions:</b> .....	92" x 100" x 34" (233.7 cm x 254 cm x 86.4 cm)	
<b>Perimeter</b> .....	384" (975.4 cm)	
<b>Seating Capacity:</b> .....	5-6 Adults	
<b>Dry Weight:</b> .....	1,045 lbs (474 kg)	
<b>Filled Weight (Spa Volume):</b> .....	5,348 lbs (2,426 kg)	
<b>Filled Weight (Average Fill):</b> .....	4,423 lbs (2,006 kg)	
<b>Water Capacity (Spa Volume):</b> .....	516 US Gal (1,953 Liters)	
<b>Water Capacity (Average Fill):</b> .....	405 US Gal (1,533 Liters)	
<b>Controls:</b> .....	980 iTouch™ Glass Interface LCD Control, Displays Temperature, Time, Cycles and Jet/Air System Control. Offers Customizing of Filtration Cycles, Lighting, Water Temperature Setting and other features	
<b>Water Delivery:</b> .....	3 TheraMax High-Flow Pumps and 8-Hour Dynamic Flow Circulation System	
<b>Pump 1:</b> .....	North America (60 Hz): 1-Speed/2.5 HP Continuous, 11.3A Max., 56 Frame <b>Export (50 Hz): 1-Speed/2.0 HP Continuous, 7A Max.</b>	
<b>Pump 2:</b> .....	North America (60 Hz): 1-Speed/2.5 HP Continuous, 11.3A Max., 56 Frame <b>Export (50 Hz): 1-Speed/2.0 HP Continuous, 7A Max.</b>	
<b>Pump 3:</b> .....	North America (60 Hz): 1-Speed/2.5 HP Continuous, 11.3A Max., 56 Frame <b>Export (50 Hz): 1-Speed/2.0 HP Continuous, 7A Max.</b>	
<b>Pump 4:</b> .....	High-Output Dynamic Flow, 8-Hour Filter/Circulation Pump (35 gpm) Programmable for Daily Start Time and Duration	
<b>Total Hydrojets:</b> .....	<b>59</b>	
<b>Seat A Jets:</b> .....	2 Fluidix Nex, 6 Fluidix Reflex, 2 Pulsator, 8 Focus-Relief®, 2 Vortex	
<b>Seat B Jets:</b> .....	4 Fluidix Reflex	
<b>Seat C Jets:</b> .....	12 Fluidix-ST, 2 Fluidix Nex, 2 Pulsator, 2 Accu-Pressure	
<b>Seat D Jets:</b> .....	2 Vortex	
<b>Seat E Jets:</b> .....	2 Fluidix Nex, 4 Fluidix Reflex, 2 Fluidix Intelli-Jet, 2 Accu-Pressure	
<b>Seat F Jets:</b> .....	2 Vortex, 1 Accu-Pressure (sidewall)	
<b>Footwell Jets (G):</b> .....	2 Whirlpool	
<b>Air Blower:</b> .....	High-efficiency, 1-Speed	
<b>Aromatherapy Delivery:</b> .....	6 Silent Air® Injector Jets with Quiet High Speed Air Pump	
<b>Air Controls/Massage Selectors:</b> .....	4/2	
<b>Filter:</b> .....	MicroClean® Ultra Filtration System, 130 ft² (2 interlocking cartridge filters)	
<b>Water Treatment:</b> .....	Automatic Brominator and Dynamic Flow Circulation System; Factory installed CLEARARRAY Active Oxygen™ Clear Water System	
<b>Lighting:</b> .....	Multicolored LED Lighting System (1 Waterfall, 1 Footwell), Exterior Corner Lights, SunCooler Bin Lights, Seat Accent Lights	
<b>Synthetic Cabinet:</b> .....	Available in Coastal, Mahogany	
<b>Shell Colors:</b> .....	Platinum, Celestite (Gypsum), Monaco, Porcelain, Midnight	
<b>Headrests:</b> .....	3	
<b>Heater:</b> .....	Low Flow 5.5 kW With Titanium Element <b>Export (50 Hz): Low Flow 2.7 kW with Titanium Element</b>	
<b>Electrical Requirements:</b> .....	North America (60 Hz): 240 VAC@40A/50A or 60A; <b>Export (50 Hz): 230-240 VAC@1x20A, 1x16A/1x20A, 3x16A (see manual for more configurations); or Suitable Rated Circuit Breaker To Comply With Local Electrical Regulations. Certain Countries May Require 2 Power Inputs; Two GFCI/RCD Breakers are Required For This Configuration.</b>	
<b>Limited Warranty*:</b> .....	North America (60 Hz): 10 Years Shell, 7 Years Shell Surface, 5 Years Plumbing Component Leaks, 5 Years Equipment and Controls, 5 Years Cabinet, 5 Years Jets, 2 Years Lights, 1 Year Stereo <b>Export (50 Hz): 10 Years Shell, 7 Years Shell Surface, 5 Years Plumbing Component Leaks, 5 Years Equipment and Controls, 5 Years Cabinet, 5 Years Jets, 2 Years Lights, 2 Years Stereo</b>	
<b>Waterfall Feature:</b> .....	Adjustable Flow Rate; Colored Lighting	
<b>Audio System (Optional):</b> .....	Factory Installed BLUEWAVE® 2.0 Wireless Spa Stereo System with Auxiliary 3.5 mm headphone jack connection, Bluetooth® compatible, 4 premium speakers and a powered subwoofer	
<b>Special Features:</b> .....	Factory Installed SmartTub™ module	

\*(See Warranty Document for Specific Details)

Dimensions/Specifications Subject To Change Without Notice

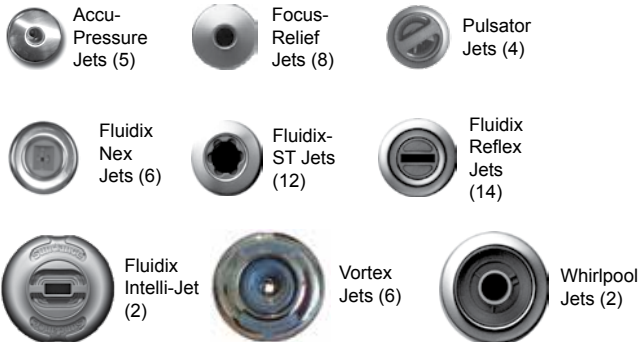
# Sundance Spas 980 Claremont

## Operation/Seat Depths



- (A)** Air Control - Activates Seat A Jets (2 Fluidix Nex, 6 Fluidix Reflex, 2 Pulsators, 2 Vortex Jets) - Also used when draining the SunCooler Bins in the close position.
- (B)** Massage Selector [Pump 2] - Adjusts Massage Level Between Seat A Jets and Footwell Jets
- (C)** AccuSage Seat Valve - Adjusts Water Flow for Seat C (2 Fluidix Nex, 12 Fluidix-ST, 2 Accu-Pressure Jets, 2 Pulsators)
- (D)** Air Control - Activates Seat C Jets (2 Fluidix Nex, 12 Fluidix-ST, 2 Accu-Pressure Jets, 2 Pulsators), Accu-Pressure Side Wall Jet
- (E)** Waterfall Selector [8-Hour Circ. Pump] - Controls Waterfall Output  
Air Control - Activates Seat B Jets (4 Fluidix Reflex), Seat D (2 Vortex Jets), Seat E Jets (2-Fluidix Nex, 4 Fluidix Reflex, 2 Fluidix Intelli-Jet, 2 Accu-Pressure Jets) and Seat F Jets (2 Vortex Jets)
- (F)** Massage Selector [Pump 1] - Adjusts Massage Level Between the Seat E Jets and Seat B Jets + Seat D Jets + Seat F Jets
- (G)** Air Control - Activates Footwell Jets (2 Whirlpool Jets)
- (H)** SunScents Dispenser (located under the SunCooler Lid)
- (I)** SunScents Dispenser (located under the SunCooler Lid)

### 59 Total Jets



- Jets Pump 3: Seat C and Footwell Dump Port
- Jets Pump 2: Seat A (2 Vortex Jets) are always on when this pump is running.
- Jets Pump 1: Seat E (2 Accu-Pressure Jets) + 1 Accu-Pressure Jet (Side Wall) in Seat F and SunCooler Perimeter Drains are always on when this pump is running.
- Focus-Relief Jets: Work with both the blower and Jets Pump 2. The blower introduces air to the jet and the Jets Pump forces water through.

Spa Operation Subject To Change Without Notice

## SEAT DEPTHS

- A = 26.00" (66.04 cm)**
- B = 21.50" (54.60 cm)**
- C = 26.75" (67.95 cm)**
- D = 21.00" (53.34 cm)**
- E = 24.50" (62.23 cm)**
- F = 20.50" (52.07 cm)**
- G = 7.00" (17.78 cm)**
- H = 30.50" (77.47 cm)**
- SunCooler Bin Depth**
- I = 13.50" (34.29 cm)**

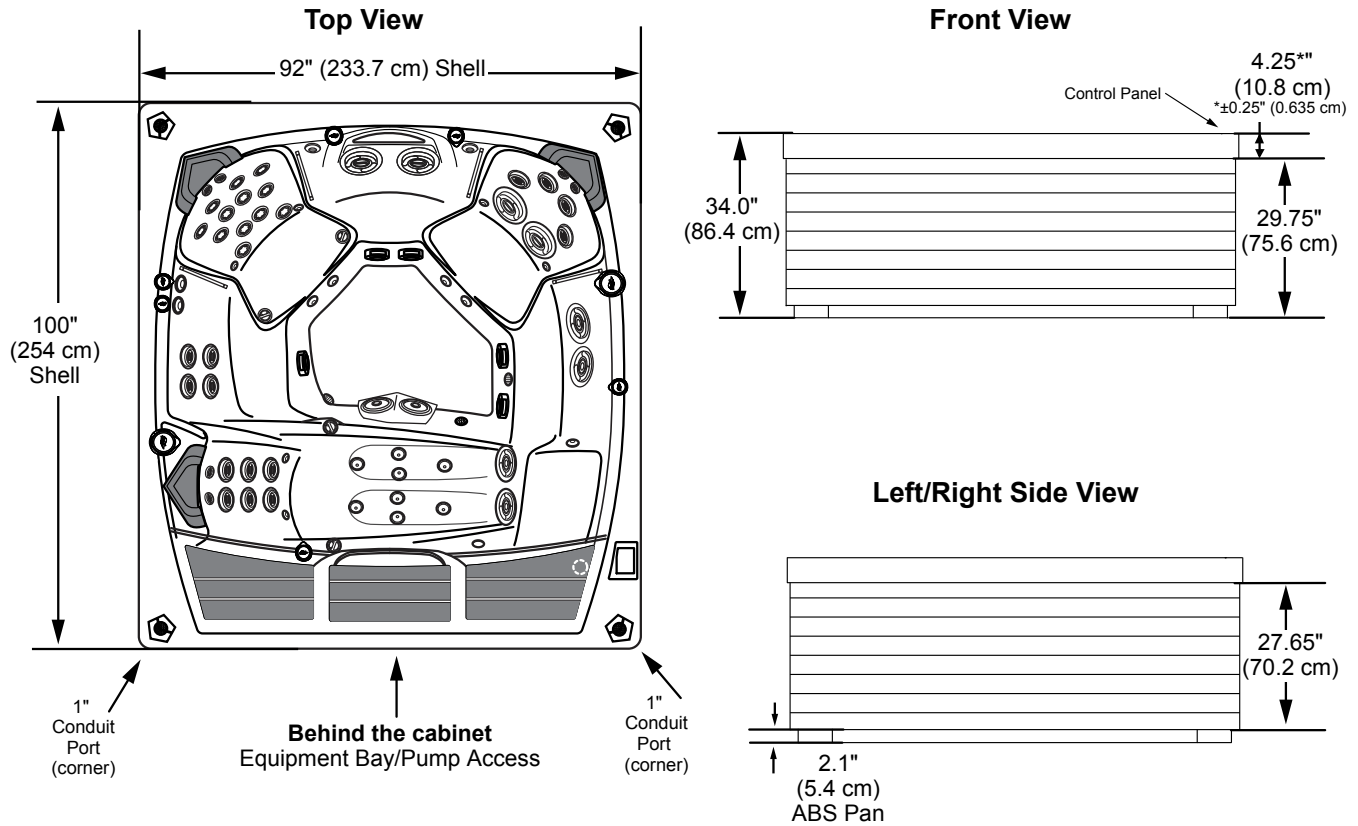
Listed dimensions represent distance from top of acrylic to lowest point in seat. **Tolerance ± 0.5" (1.27 cm).**



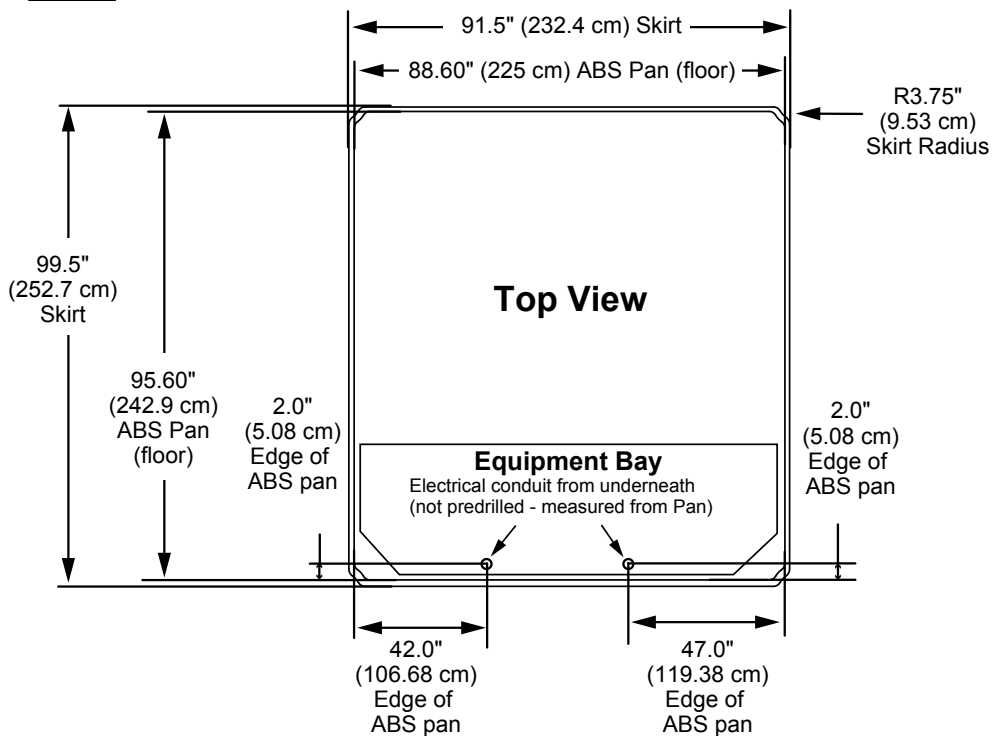
Dimensions/Specifications Subject To Change Without Notice

# Sundance Spas 980 Claremont

## Portable Dimensions



**IMPORTANT! Always measure each hot tub for exact dimensions BEFORE designing its foundational support and/or decking.**



**Dimensions/specifications subject to change without notice. Tolerance:  $\pm 0.5"$  (1.27 cm)**

Dimensions/Specifications Subject To Change Without Notice

Denne modellen kan kobles med 1-fas 230V C-sikring (treg) og 3-fas (400 volt TN-nett - se egne linjer)

**980-serien:**

For å få mest mulig glede av badet anbefaler vi høyeste kurs for optimal drift.			
Claremont	Type varmeelement	Alternativ tilkobling	Funksjon
Claremont	5,5 kW	3-fas (400 volt TN-nett) 25 amp	Varmeelement og pumper kan brukes samtidig
Claremont	5,5 kW	25 + 32 amp	Varmeelement og pumper kan brukes samtidig
Claremont	5,5 kW	40 amp	Alle pumper kan brukes samtidig. Varmeelementet og 2 pumper kan brukes samtidig.
Claremont	2,7 kW	3-fas (400 volt TN-nett) 16 amp	Varmeelement og pumper kan brukes samtidig
Claremont	2,7 kW	40 amp eller 16 + 32 amp	Varmeelement og pumper kan brukes samtidig
Claremont	2,7 kW	32 amp	Alle pumper kan brukes samtidig. Varmeelementet slår seg automatisk av når en av pumpene startes.

**Kretskortinnstillinger**  
 Se brukermanual.  
 Se brukermanual.  
 Se brukermanual.  
 Se brukermanual.  
 Se brukermanual.