


Sundance® Spas 680 Alicia™

Specifications

Dimensions	69" x 80" x 33" (175 cm x 203 cm x 84 cm)	
Seating Capacity	2-3 Adults	
Dry Weight	583 lbs (264 kg)	
Filled Weight (Spa Volume)	2,918 lbs (1,324 kg)	
Filled Weight (Average Fill)	2,251 lbs (1,021 kg)	
Water Capacity (Spa Volume)	280 US gallons (1,060 Liters)	
Water Capacity (Average Fill)	200 US gallons (757 Liters)	
Electronic Controls	Solid state electronic controls with LCD readout, programmable temperature, filtration, and heat cycles	
Pump 1	North America (60 Hz): 2-Speed, 2.5 HP brake, 1.5 HP continuous, 48 Frame Export: (50 Hz): 2-Speed, 2.0 HP continuous	
Total Hydrojets:	21	
Seat A Jets:	6 - SLR	
Seat B Jets:	1 - SLR, 8 - SL	
Seat C Jets:	4 - SL3R	
Footwell (D) Jets:	2 - SLR	
Air Controls/Massage Selectors: ..	1/None	
Filter:	75 ft ² MicroClean® Mini™ Filter Cartridge System	
Water Treatment:	Factory installed CLEARRAY® unit	
Lighting:	LED Lighting System (Interior Surround); 2 Standard Exterior Lights	
Cabinet:	Available in Slate, Graphite	
Shell Colors:	Platinum, Celestite (Gypsum), Monaco, Midnight, Porcelain	
Headrest:	Three, 1-piece gray	
Heater:	North America (60 Hz): High Flow, 1 kW@120 VAC or Convertible to 4 kW@240 VAC; Export: (50 Hz): High Flow, 2.7 kW	
Electrical Requirements:	North America Convertible Model (60 Hz): 120 VAC@15A with Supplied GFCI Cord or 240 VAC@30A or 40A (Hard Wired Only); Export (50 Hz): 230-240 VAC@1x16A, 1x32A or 2 out of 3-phase (see manual); or Suitably Rated Circuit Breaker to Comply with Local Electrical Regulations. Certain Countries May Require 2 Power Inputs; Two GFCI/ RCD Breakers are Required for This Configuration.	
Limited Warranty*:	North America (60 Hz): 5 Years Shell, 3 Years Shell Surface, 3 Years Plumbing Component Leaks, 3 Years Equipment and Controls, 1 Year Cabinet, 1 Year Jets Export (50 Hz): 5 Years Shell, 3 Years Shell Surface, 3 Years Plumbing Component Leaks, 3 Years Equipment and Controls, 1 Year Cabinet, 1 Year Jets	
Alternative Insulation (Standard): ..	Yes (Insulation Panels)	
Waterfall Feature:	None	
Audio System (Optional):	N/A	
Special Features (Optional):	Factory Installed SmartTub® module	

*(See Warranty Document for Specific Details)

Dimensions/Specifications Subject To Change Without Notice

Sundance Spas 680 Alicia

Operation/Seat Depths



(A) Air control - Activates All Jets

- Jets Pump 1: Powers All Jets when running

21 Total Jets (Stainless Steel Escutcheons Standard)



SL Jets (8)



SLR Jets (9)



SL3R Jets (4)

Spa Operation Subject To Change Without Notice

SEAT DEPTHS

A = 25.86" (65.72 cm)

B = 27.00" (68.58 cm)

C = 24.25" (61.60 cm)

D = 27.75" (70.49 cm)

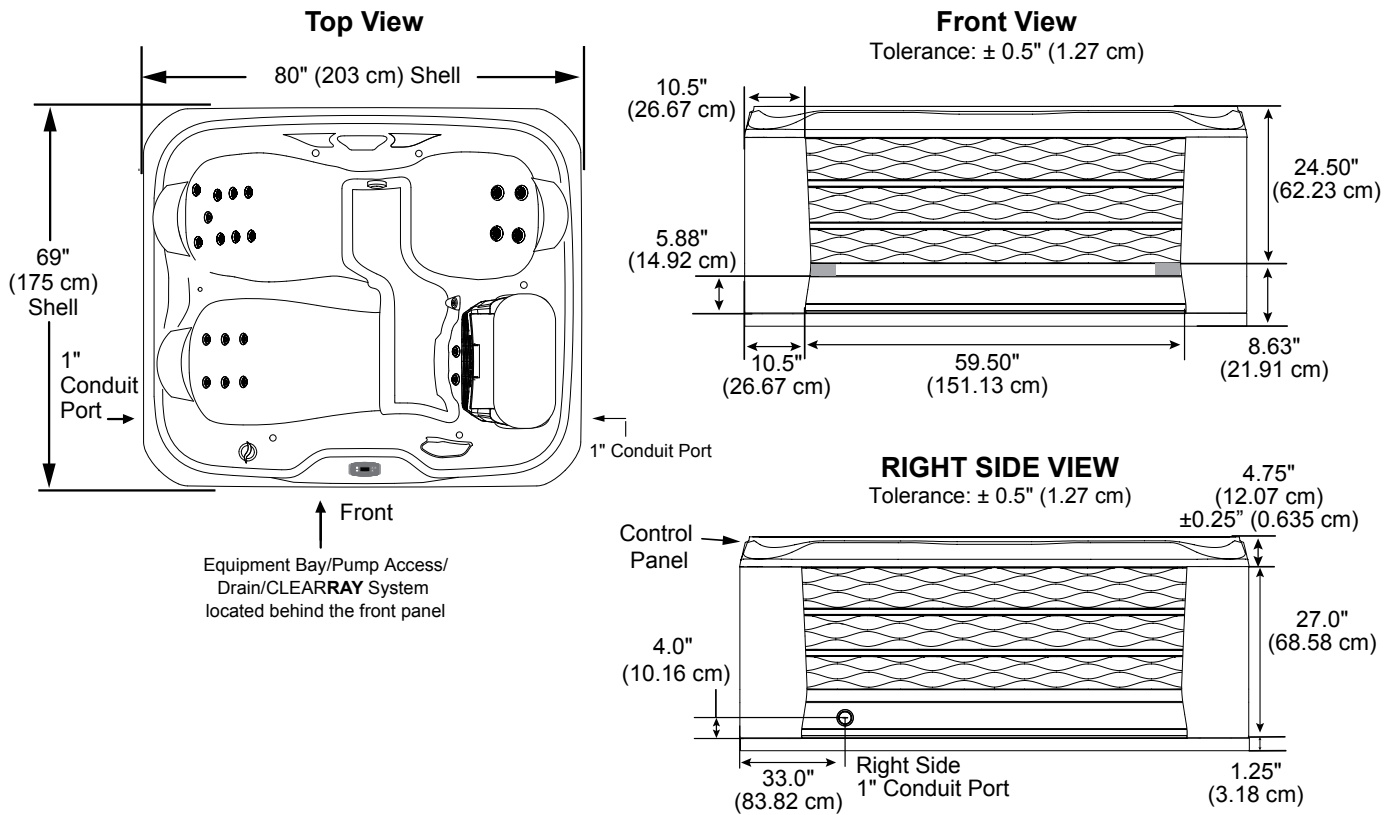
Listed dimensions represent distance from top of acrylic to lowest point in seat. Tolerance \pm 0.5" (1.27 cm).



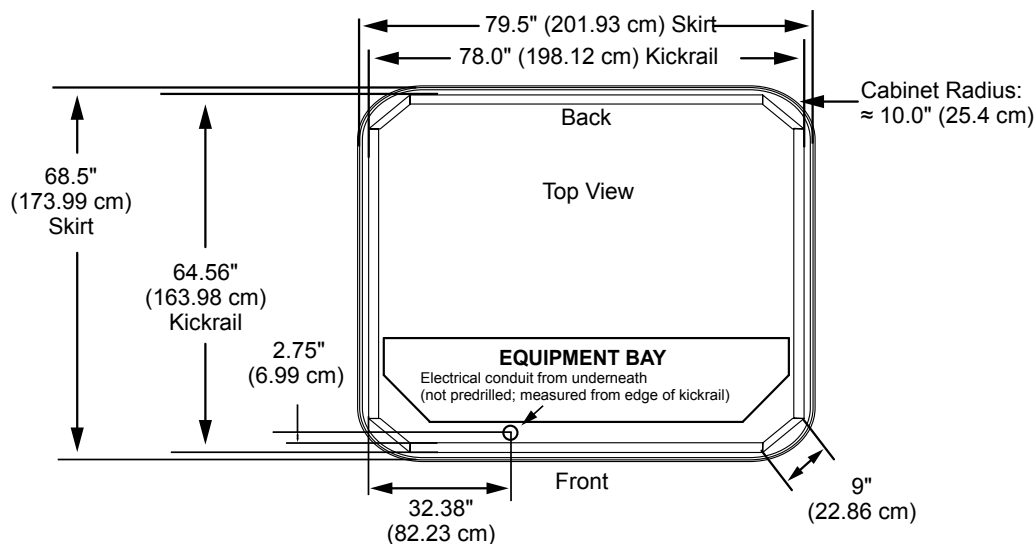
Dimensions/Specifications Subject To Change Without Notice

Sundance Spas 680 Alicia

Portable Dimensions



IMPORTANT! Always measure each hot tub for exact dimensions BEFORE designing its foundational support and/or decking.



Dimensions/specifications subject to change without notice. Tolerance: $\pm 0.5"$ (1.27 cm)

Dimensions/Specifications Subject To Change Without Notice

Denne modellen kan kobles med 1-fas 230V C-sikring (treg) og 3-fas (400 volt TN-nett - se egne linjer)

680-serien:

Alicia	For å få mest mulig glede av badet anbefaler vi høyeste kurs for optimal drift.	Kretskortinnstillinger
	Funksjon	
Alicia	Varmeelement og pumper kan brukes samtidig	Se brukermanual.
Alicia	Varmeelement og pumper kan brukes samtidig	Se brukermanual.
Alicia	Varmeelementet slår seg av når pumpe 1 har høy hastighet. Pumpe 2 har bare høy hastighet.	Se brukermanual.
Alicia	Varmeelement og pumper kan brukes samtidig	Se brukermanual.
Alicia	Varmeelement og pumper kan brukes samtidig	Se brukermanual.
Alicia	Varmeelementet slår seg av når pumpe 1 har høy hastighet. Pumpe 2 har bare høy hastighet.	Se brukermanual.