


Sundance® Spas 780 Chelsea®

Specifications

Dimensions:	89" x 89" x 37.5" (226 cm x 226 cm x 95.25 cm)	
Perimeter	356" (904.2 cm)	
Seating Capacity:	6-7 Adults	
Dry Weight:	873 lbs (396 kg)	
Filled Weight (Spa Volume):	5,210 lbs (2,363 kg)	
Filled Weight (Average Fill):	4,209 lbs (1,909 kg)	
Water Capacity (Spa Volume):	520 US Gal (1,968 Liters)	
Water Capacity (Average Fill):	400 US Gal (1,514 Liters)	
Controls:	780 Series Solid-State Electronic Controls with LCD Readout, Programmable Water Temperature, Filtration, and Heat Cycles	
Water Delivery:	2 High Flow Pumps	
Pump 1:	North America (60 Hz): 1-Speed/2.5 HP Continuous, 12.0A Max., 56 Frame Export (50 Hz): 1-Speed/2.0 HP Continuous, 8.0A Max.	
Pump 2:	North America (60 Hz): 1-Speed/2.5 HP Continuous, 11.0A Max., 56 Frame Export (50 Hz): 1-Speed/2.0 HP Continuous, 7.0A Max.	
Pump 3:	24 Hour Programmable Circ Pump, 8 Hour Factory Default	
Total Hydrojets:	40	
Seat A Jets:	2 Vortex	
Seat B Jets:	2 SMT Fluidix	
Seat C Jets:	4 SMT Micro, 9 Accu-Pressure	
Seat D Jets:	1 Vortex	
Seat E Jets:	2 SMT Micro, 6 SMT Fluidix	
Seat F Jets:	4 Mini-Vortex, 2 Vortex	
Footwell Jets (G):	8 Adjustable Accu-Pressure	
Air Controls/Massage Selectors:	4/1 Standard air control with LED lights	
Filter:	MicroClean® I Filtration System with Floating Weir, 125 ft² combined filtration (1 pleated and 1 spun-bound cartridge)	
Water Treatment:	8-Hour Circulation Pump; Factory installed CLEARARRAY Active Oxygen™ Clear Water System	
Lighting:	Standard Multi-Colored SunRay LED Light; 7 LED Pin Lights; Indicator light; Air controls and Exterior Lights (4 stainless steel lights on front cabinet)	
Synthetic Cabinet:	Available in Modern Hardwood, Brushed Gray and Vintage Oak	
Shell Colors:	North America: Platinum, Celestite, Monaco, Midnight, Porcelain Export (50 Hz): All North America Colors	
Handrails:	N/A	
Headrests:	Four, 1-Piece Gray	
Heater:	North America (60 Hz): 5.5 kW, High Flow Export (50 Hz): High Flow, 2.7 kW	
Electrical Requirements:	North America (60 Hz): 240 VAC@40A, 50A, or 60A; Export (50 Hz): 230-240 VAC@1x20A, 1x16A/1x20A, or 3x16A (see manual for more configurations); or Suitably Rated Circuit Breaker to Comply with Local Electrical Regulations. Certain Countries May Require Dual Power Inputs; Two GFCI/RCD Breakers are Required for This Configuration.	
Limited Warranty*:	North America (60 Hz): 10 Years Shell, 7 Years Shell Surface, 5 Years for Plumbing Component Leaks, 5 Years Equipment and Controls, 5 Years Cabinet, 2 Years Jets, 2 Years Lights, 1 Year Stereo Export (50 Hz): 10 Years Shell, 7 Years Shell Surface, 5 Years Plumbing, 5 Years Equipment and Controls, 5 Years Cabinet, 2 Years Jets, 2 Years Lights, 2 Years Stereo	
Waterfall Feature:	On/Off Flow Rate; Colored Lighting	
Audio System (Optional):	Factory Installed BLUEWAVE® Spa Stereo System with an Auxiliary 3.5 mm headphone jack connection and Bluetooth® compatible	
Special Features (Optional):	Factory Installed SmartTub® module	

*(See Warranty Document for Specific Details)

Dimensions/Specifications Subject To Change Without Notice

Sundance Spas 780 Chelsee

Operation/Seat Depths



- (A)** Air Control - Activates Seat A Jets (2 Vortex) + Seat B Jets (2 SMT Fluidix) + Footwell Jets (2 Adjustable Accu-Pressure)
- (B)** Massage Selector [Pump 1]- Adjusts Massage Level Between Seat C Jets + Footwell Jets (2 Adjustable Accu-Pressure) and Seat F Jets + Footwell Jets (2 Adjustable Accu-Pressure)
- (C)** Air Control - Activates Seat C Jets (4 SMT Micro, 9 Accu-Pressure) + Footwell Jets (2 Adjustable Accu-Pressure)
- (D)** Air Control - Activates Seat D Jet (1 Vortex) + Seat E (2 SMT Micro, 6 SMT Fluidix) + Footwell Jets (2 Adjustable Accu-Pressure)
- (E)** Air Control - Activates Seat F Jets (2 Vortex, 2 Mini-Vortex) + Footwell Jets (2 Adjustable Accu-Pressure)
- (F)** Waterfall Selector [8-Hour Circ. Pump] - Controls Waterfall Output

- Jets Pump 2: Seat A Jets + Seat B Jets + Seat D + Seat E Jets + 4 Footwell Jets are always on when this pump is running

40 Total Jets (Stainless Steel Escutcheons Standard)



Spa Operation Subject To Change Without Notice

SEAT DEPTHS

- A = 25.38" (64.47 cm)**
- B = 21.75" (55.25 cm)**
- C = 27.50" (69.85 cm)**
- D = 21.50" (54.61 cm)**
- E = 25.50" (64.77 cm)**
- F = 24.00" (60.96 cm)**
- G = 18.25" (46.36 cm)**
- H = 29.88" (75.88 cm)**

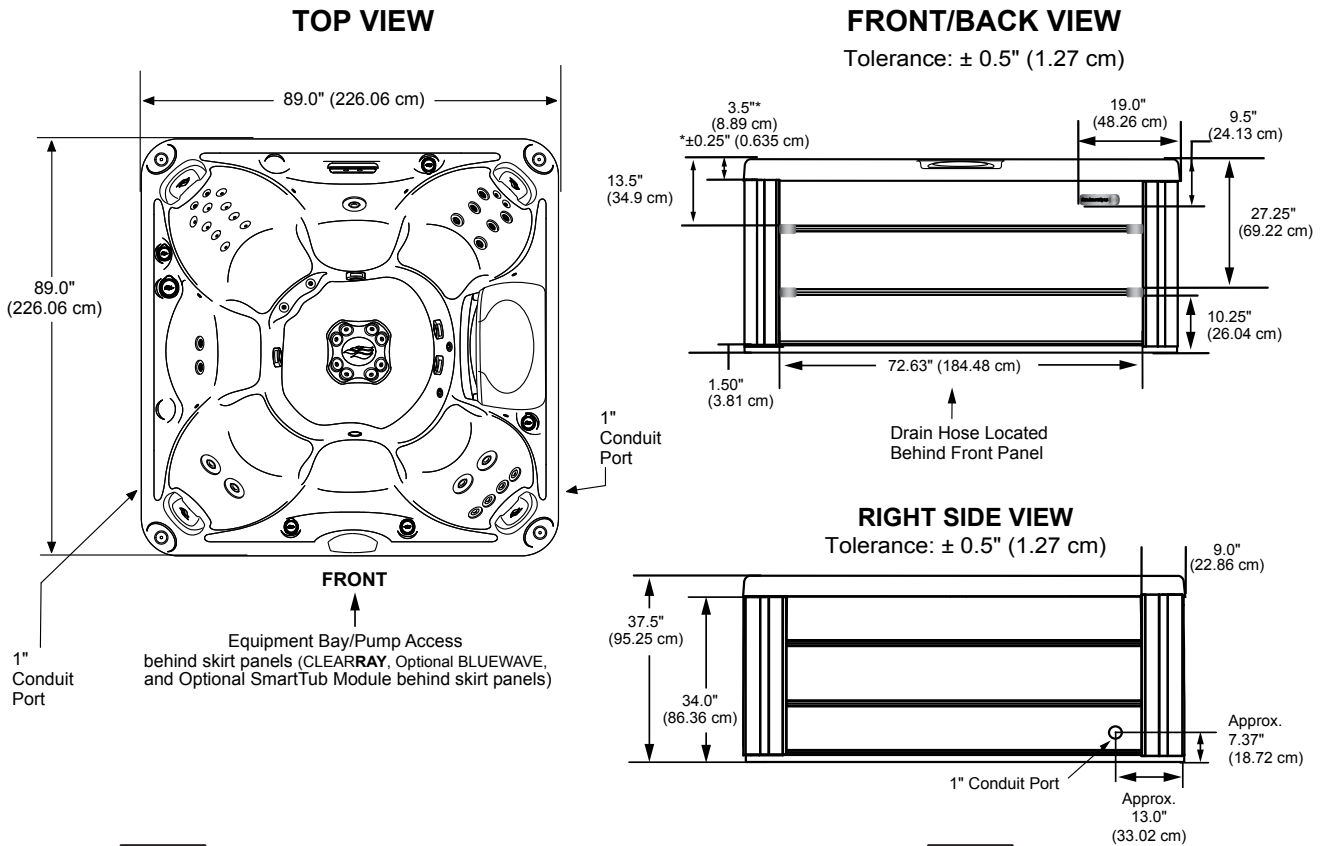
Listed dimensions represent distance from top of acrylic to lowest point in seat. **Tolerance ± 0.5" (1.27 cm).**



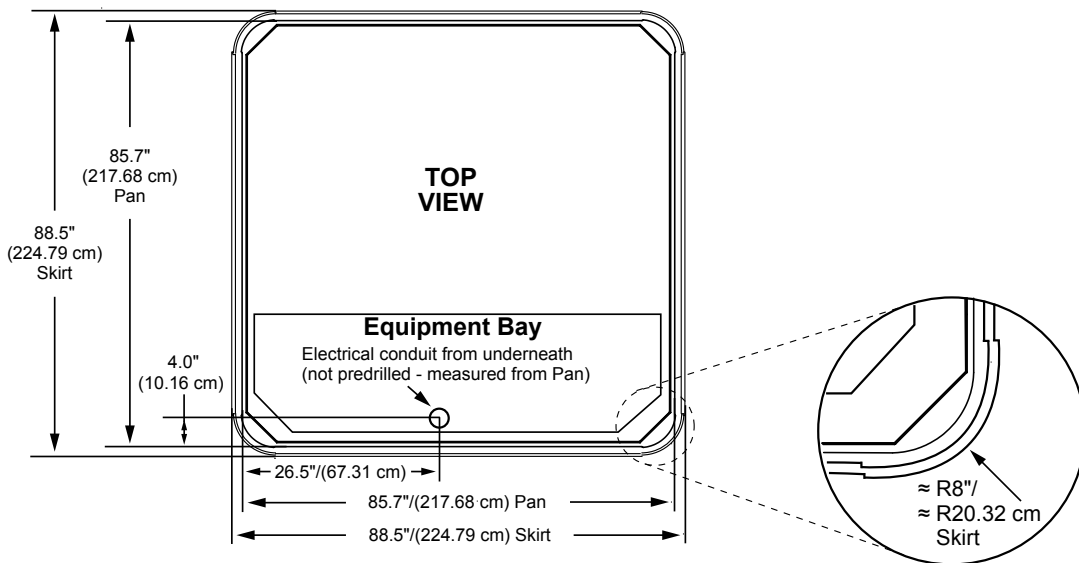
Dimensions/Specifications Subject To Change Without Notice

Sundance Spas Chelsee

Portable Dimensions



STOP **IMPORTANT! Always measure each hot tub for exact dimensions BEFORE designing its foundational support and/or decking.** **STOP**



Dimensions/specifications subject to change without notice. Tolerance: $\pm 0.5"$ (1.27 cm)

Dimensions/Specifications Subject To Change Without Notice

Denne modellen kan kobles med 1-fas 230V C-sikring (treg) og 3-fas (400 volt TN-nett - se egne linjer)

780-serien:

Chelsee: For å få mest mulig glede av badet anbefaler vi høyeste kurs for optimal drift.			
	Alternativ tilkobling	Funksjon	Kretskortinnstillinger
Chelsee	3-fas (400 volt TN-nett) 25 amp	Varmeelement og pumper kan brukes samtidig	Se brukermanual.
Chelsee	40 amp eller 20 + 25 amp	Varmeelement og pumper kan brukes samtidig	Se brukermanual.
Chelsee	25 amp	Alle pumper kan brukes samtidig. Varmeelementet slår seg automatisk av når pumpene startes.	Se brukermanual.
Chelsee	3-fas (400 volt TN-nett) 16 amp	Varmeelement og pumper kan brukes samtidig	Se brukermanual.
Chelsee	32 amp eller 16 + 20 amp	Varmeelement og pumper kan brukes samtidig	Se brukermanual.
Chelsee	20 amp	Varmeelementet slår seg automatisk av når pumpene startes.	Se brukermanual.