


# Sundance® Spas 680 Alicia™

## Specifications

<b>Dimensions</b> .....	69" x 80" x 33" (175 cm x 203 cm x 84 cm)	
<b>Seating Capacity</b> .....	2-3 Adults	
<b>Dry Weight</b> .....	583 lbs (264 kg)	
<b>Filled Weight (Spa Volume)</b> .....	3,002 lbs (1,362 kg)	
<b>Filled Weight (Average Fill)</b> .....	2,334 lbs (1,059 kg)	
<b>Water Capacity (Spa Volume)</b> .....	290 US gallons (1,098 Liters)	
<b>Water Capacity (Average Fill)</b> .....	210 US gallons (795 Liters)	
<b>Electronic Controls</b> .....	Solid state electronic controls with LCD readout, programmable temperature, filtration, and heat cycles	
<b>Pump 1</b> .....	North America (60 Hz): 2-Speed, 2.5 HP brake, 1.5 HP continuous, 48 Frame <b>Export: (50 Hz): 2-Speed, 2.0 HP continuous</b>	
<b>Total Hydrojets:</b> .....	<b>21</b>	
<b>Seat A Jets:</b> .....	6 - SLR	
<b>Seat B Jets:</b> .....	1 - SLR, 8 - SL	
<b>Seat C Jets:</b> .....	4 - SL3R	
<b>Footwell (D) Jets:</b> .....	2 - SLR	
<b>Air Controls/Massage Selectors:</b> ...	1/None	
<b>Filter:</b> .....	75 ft <sup>2</sup> MicroClean® Mini™ Filter Cartridge System	
<b>Water Treatment:</b> .....	Factory installed CLEARRAY® unit	
<b>Lighting:</b> .....	LED Lighting System (Interior Surround); 2 Standard Exterior Lights	
<b>Cabinet:</b> .....	Available in Slate, Graphite	
<b>Shell Colors:</b> .....	Platinum, Celestite (Gypsum), Monaco, Midnight, Porcelain	
<b>Headrest:</b> .....	Three, 1-piece gray	
<b>Heater:</b> .....	North America (60 Hz): High Flow, 1 kW@120 VAC or Convertible to 4 kW@240 VAC; <b>Export: (50 Hz): High Flow, 2.7 kW</b>	
<b>Electrical Requirements:</b> .....	North America Convertible Model (60 Hz): 120 VAC@15A with Supplied GFCI Cord or 240 VAC@30A or 40A (Hard Wired Only); <b>Export (50 Hz): 230-240 VAC@1x16A, 1x32A or 2 out of 3-phase (see manual); or Suitably Rated Circuit Breaker to Comply with Local Electrical Regulations. Certain Countries May Require 2 Power Inputs; Two GFCI/ RCD Breakers are Required for This Configuration.</b>	
<b>Limited Warranty*:</b> .....	North America (60 Hz): 5 Years Shell, 3 Years Shell Surface, 3 Years Plumbing Component Leaks, 3 Years Equipment and Controls, 1 Year Cabinet, 1 Year Jets <b>Export (50 Hz): 5 Years Shell, 3 Years Shell Surface, 3 Years Plumbing Component Leaks, 3 Years Equipment and Controls, 1 Year Cabinet, 1 Year Jets</b>	
<b>Alternative Insulation (Standard):</b> ..	Yes (Insulation Panels)	
<b>Waterfall Feature:</b> .....	None	
<b>Audio System (Optional):</b> .....	N/A	
<b>Special Features (Optional):</b> .....	Factory Installed SmartTub® module	

\*(See Warranty Document for Specific Details)

Dimensions/Specifications Subject To Change Without Notice

# Sundance Spas 680 Alicia

## Operation/Seat Depths



**(A)** Air control - Activates All Jets

- Jets Pump 1: Powers All Jets when running

**21 Total Jets (Stainless Steel Escutcheons Standard)**



SL Jets (8)



SLR Jets (9)



SL3R Jets (4)

Spa Operation Subject To Change Without Notice

## SEAT DEPTHS

**A = 25.86" (65.72 cm)**

**B = 27.00" (68.58 cm)**

**C = 24.25" (61.60 cm)**

**D = 27.75" (70.49 cm)**

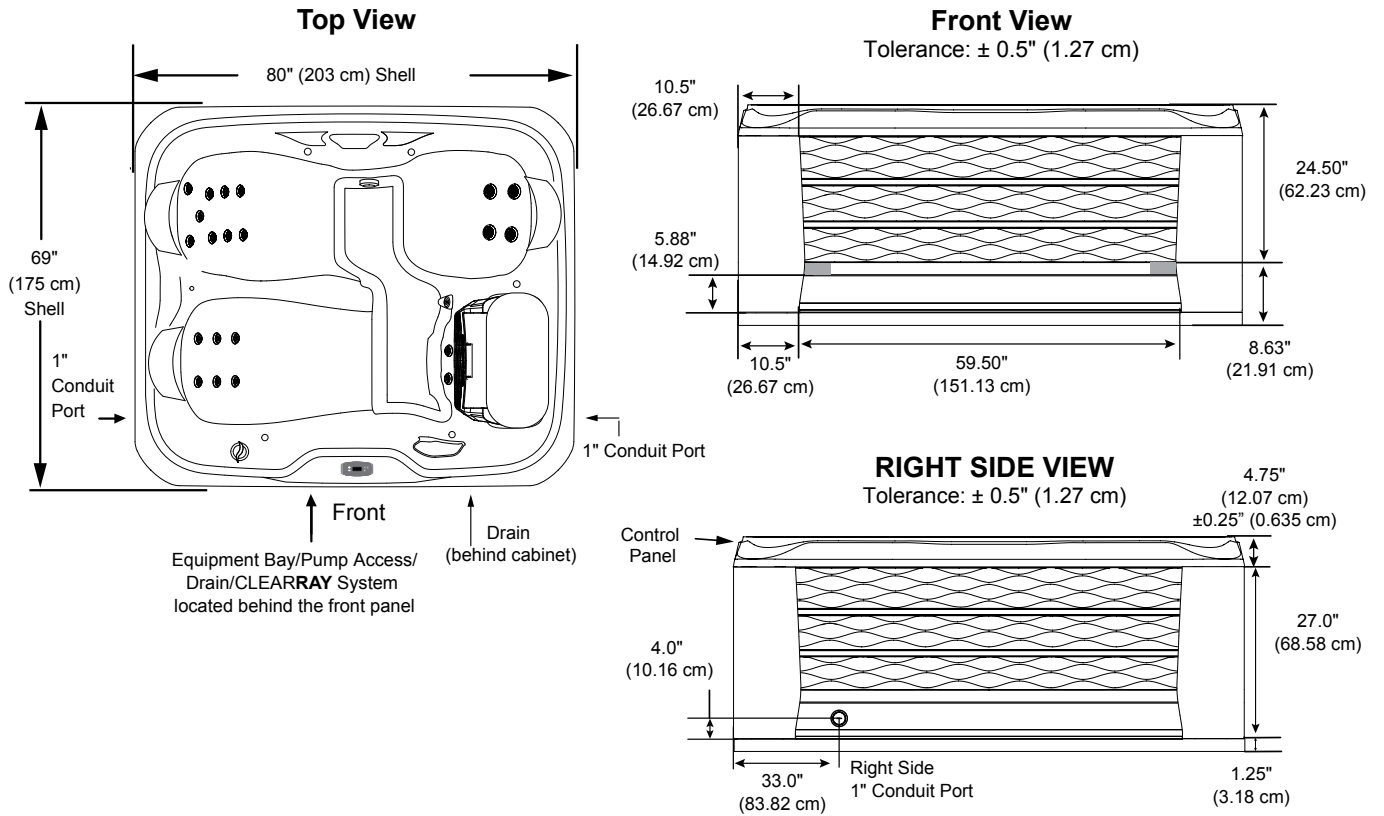
Listed dimensions represent distance from top of acrylic to lowest point in seat. Tolerance  $\pm 0.5"$  (1.27 cm).



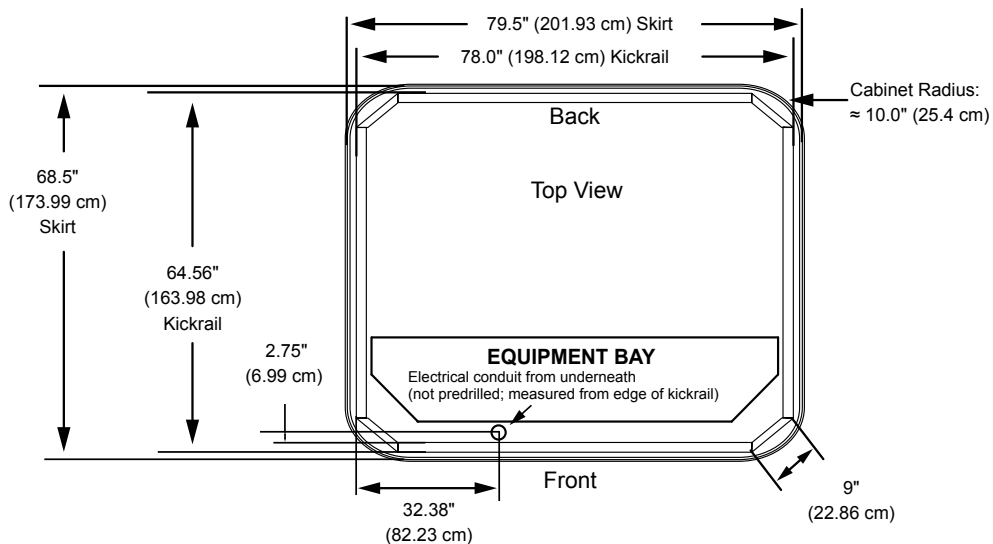
Dimensions/Specifications Subject To Change Without Notice

# Sundance Spas 680 Alicia

## Portable Dimensions



**IMPORTANT! Always measure each hot tub for exact dimensions BEFORE designing its foundational support and/or decking.**



**Dimensions/specifications subject to change without notice. Tolerance:  $\pm 0.5"$  (1.27 cm)**

Dimensions/Specifications Subject To Change Without Notice

Denne modellen kan kobles med 1-fas 230V C-sikring (treg) og 3-fas (400 volt TN-nett - se egne linjer)

**680-serien:**

For å få mest mulig glede av badet anbefaler vi høyeste kurs for optimal drift.				
Alicia	Type varmeelement	Alternativ tilkobling	Funksjon	
			Kretskortinnstillinger	
Alicia	5,5 kW	3-fas (400 volt TN-nett) 25 amp	Varmeelement og pumper kan brukes samtidig	Se brukermanual.
Alicia	5,5 kW	40 amp	Varmeelement og pumper kan brukes samtidig	Se brukermanual.
Alicia	5,5 kW	32 amp	Varmeelementet slår seg av når pumpene settes på høy hastighet. Pumpe 2 har bare høy hastighet.	Se brukermanual.
Alicia	2,7 kW	3-fas (400 volt TN-nett) 16 amp	Varmeelement og pumper kan brukes samtidig	Se brukermanual.
Alicia	2,7 kW	32 amp	Varmeelement og pumper kan brukes samtidig	Se brukermanual.
Alicia	2,7 kW	20 amp	Varmeelementet slår seg av når pumpene settes på høy hastighet. Pumpe 2 har bare høy hastighet.	Se brukermanual.