


# Sundance® Spas 680 Edison®

## Specifications

<b>Dimensions:</b> .....	84" x 84" x 36" (213.5 cm x 213.5 cm x 91.44 cm)	
<b>Perimeter</b> .....	336" (853.4 cm)	
<b>Seating Capacity:</b> .....	6 Adults	
<b>Dry Weight:</b> .....	737 lbs (334 kg)	
<b>Filled Weight (Spa Volume):</b> .....	4,490 lbs (2,037 kg)	
<b>Filled Weight (Average Fill):</b> .....	3,614 lbs (1,639 kg)	
<b>Water Capacity (Spa Volume):</b> .....	450 US Gal (1,703 Liters)	
<b>Water Capacity (Average Fill):</b> .....	345 US Gal (1,306 Liters)	
<b>Controls:</b> .....	Solid-State Electronic Controls with LCD Readout, Programmable Water Temperature, Filtration, and Heat Cycles	
<b>Water Delivery:</b> .....	2 High-Flow Pump	
<b>Pump 1:</b> .....	North America (60 Hz): 2-Speed/2.5 HP Continuous, 11.0A Max., 56 Frame <b>Export (50 Hz): 2-Speed/2.0 HP continuous, 8.0A max.</b>	
<b>Pump 2:</b> .....	North America (60 Hz): 1-Speed/2.5 HP Continuous, 10A max., 56 Frame <b>Export (50 Hz): 1-Speed/2.0 HP continuous, 8.0A max.</b>	
<b>Total Hydrojets:</b> .....	<b>36</b>	
<b>Seat A Jets:</b> .....	2 - SL Directional, 8 - SLR Rotational, 1- SL3 Directional	
<b>Seat B Jet:</b> .....	1 - SL3R Rotational	
<b>Seat C Jets:</b> .....	2 - SL Directional, 6 - SL3 Directional	
<b>Seat D Jets:</b> .....	2 - SL3R Rotational	
<b>Seat E Jets:</b> .....	3 - SL3 Directional, 1- SL5R Rotational	
<b>Seat F Jet:</b> .....	2 - SL Directional, 4 - SL3R Rotational	
<b>Foot Well Jets (G):</b> .....	4 - SL Directional	
<b>Air Controls/Massage Selectors:</b> .....	2/None	
<b>Filter:</b> .....	75 ft <sup>2</sup> MicroClean® Mini™ Filter Cartridge System	
<b>Water Treatment:</b> .....	Factory installed CLEARRAY® unit	
<b>Lighting:</b> .....	LED Lighting System (Interior Surround); 2 Standard Exterior Lights	
<b>Cabinet:</b> .....	Available in Slate, Graphite	
<b>Shell Colors:</b> .....	North America: Platinum, Celestite, Monaco, Midnight, Porcelain <b>Export (50 Hz): All North America colors</b>	
<b>Headrest:</b> .....	Four, 1-piece gray	
<b>Heater:</b> .....	North America (60 Hz): 5.5 kW 240V High Flow Standard <b>Export (50 Hz): 2.7 kW High Flow Standard</b>	
<b>Electrical Requirements:</b> .....	North America (60 Hz): 240 VAC@40A, 50A or 60A <b>Export (50 Hz): 230-240 VAC@1x16A, 1x32A or 2 out of 3-phase (see manual); or Suitably Rated Circuit Breaker to Comply with Local Electrical Regulations. Certain Countries May Require 2 Power Inputs; Two GFCI/ RCD Breakers are Required for This Configuration.</b>	
<b>Limited Warranty*:</b> .....	North America (60 Hz): 5 Years Shell, 3 Years Shell Surface, 3 Years Plumbing Component Leaks, 3 Years Equipment and Controls, 1 Year Cabinet, 1 Year Jets <b>Export (50 Hz): 5 Years Shell, 3 Years Shell Surface, 3 Years Plumbing Component Leaks, 3 Years Equipment and Controls, 1 Year Cabinet, 1 Year Jets</b>	
<b>Alternative Insulation (Standard):</b> .....	Yes (Insulation Panels)	
<b>Waterfall Feature:</b> .....	None	
<b>Audio System (Optional):</b> .....	N/A	
<b>Speial Features (Optional):</b> .....	Factory Installed SmartTub® module	

\*(See Warranty Document for Specific Details)

Dimensions/Specifications Subject To Change Without Notice

# Sundance Spas 680 Edison

## Operation/Seat Depths



**(A)** Air control - Activates Seat A Jets (2 - SL, 8 - SLR, 1 - SL3) Seat B Jet (1 - SL3R) + Seat C Jets (2 - SL, 6 - SL3) + Footwell Jets (2 - SL)

**(B)** Air Control - Activates Seat D Jets (2 - SL3R) + Seat E Jets (3 - SL3, 1 - SL5R) + Seat F Jets (2 - SLR3, 4 - SL3R) + Footwell Jets (2 - SL)

- Jets Pump 1: Powers Seat D Jets + Seat E Jets + Seat F + Footwell Jets (qty 2) when running

- Jets Pump 2: Seat A Jets + Seat B Jet + Seat C Jets + Footwell Jets (qty 2) when running

**36 Total Jets (Stainless Steel Escutcheons Standard)**



SL Jets (10)



SLR Jets (8)



SL3 Jets (10)



SL3R Jets (7)



SL5R Jet (1)

Spa Operation Subject To Change Without Notice

## SEAT DEPTHS

**A = 23.50" (59.69 cm)**

**B = 20.75" (52.71 cm)**

**C = 25.00" (63.50 cm)**

**D = 22.00" (55.88 cm)**

**E = 25.50" (64.77 cm)**

**F = 23.75" (60.33 cm)**

**G = 21.75" (54.25 cm)**

**H = 30.00" (76.20 cm)**

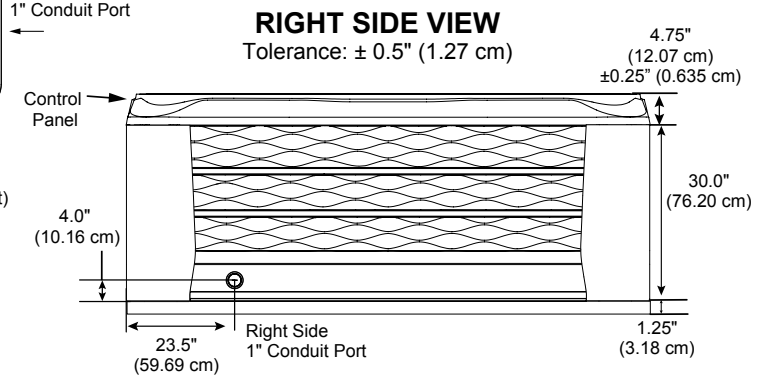
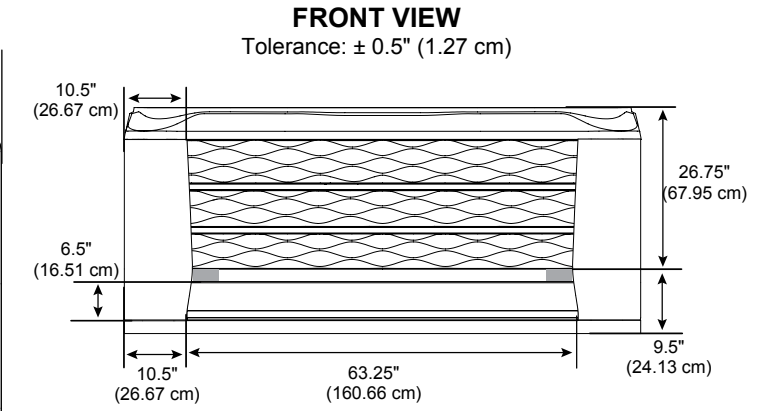
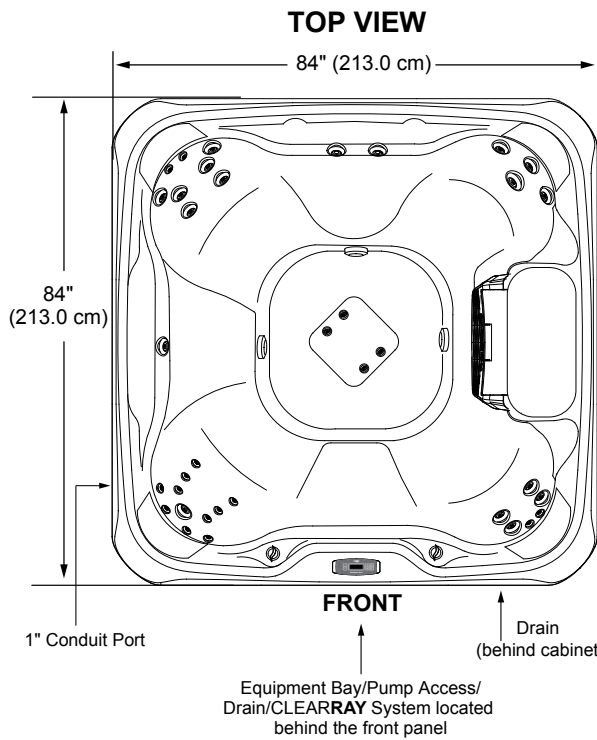
Listed dimensions represent distance from top of acrylic to lowest point in seat. **Tolerance ± 0.5" (1.27 cm).**



Dimensions/Specifications Subject To Change Without Notice

# Sundance Spas 680 Edison

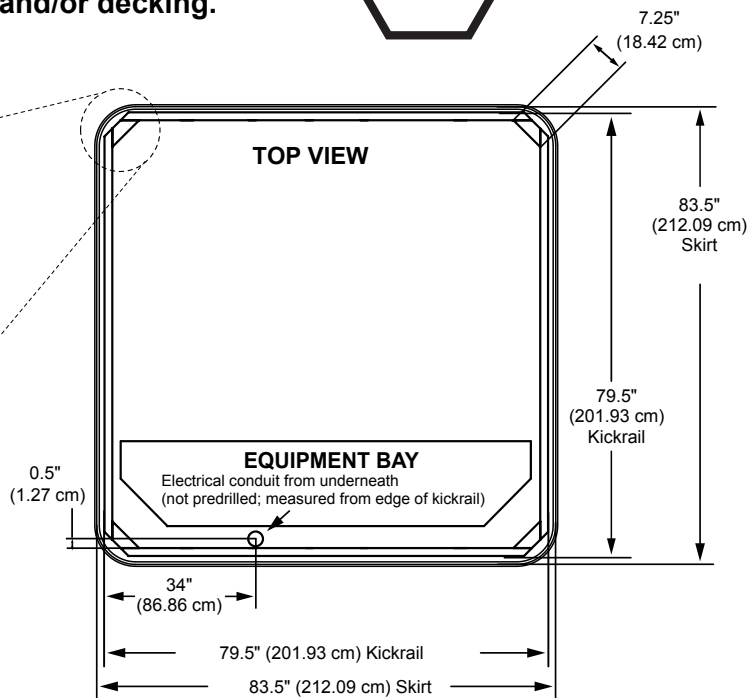
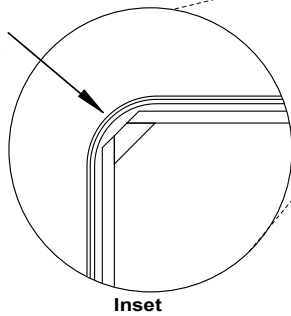
## Portable Dimensions



**IMPORTANT!** Always measure each hot tub for exact dimensions **BEFORE** designing its foundational support and/or decking.



4 x  $\approx R 10.0"$   
( $\approx R25.4$  cm) Skirt



Dimensions/specifications subject to change without notice. Tolerance:  $\pm 0.5"$  (1.27 cm)

Dimensions/Specifications Subject To Change Without Notice

