

# Sundance® Spas 680 Peyton®

## Specifications

<p><b>Dimensions:</b>.....84" x 84" x 36" (213 cm x 213 cm x 91 cm)</p> <p><b>Perimeter</b>.....336" (853.4 cm)</p> <p><b>Seating Capacity:</b>.....6 Adults</p> <p><b>Dry Weight:</b>.....736 lbs (334 kg)</p> <p><b>Filled Weight (Spa Volume):</b>.....4,364 lbs (1,979 kg)</p> <p><b>Filled Weight (Average Fill):</b>.....3,447 lbs (1,563 kg)</p> <p><b>Water Capacity (Spa Volume):</b>.....435 US Gal (1,647 Liters)</p> <p><b>Water Capacity (Average Fill):</b>.....325 US Gal (1,230 Liters)</p> <p><b>Controls:</b>.....Solid-State Electronic Controls with LCD Readout, Programmable Water Temperature, Filtration, and Heat Cycles</p> <p><b>Water Delivery:</b>.....2 High-Flow Pump</p> <p><b>Pump 1:</b>.....North America (60 Hz): 2-Speed/2.5 HP Continuous, 11.0A Max., 56 Frame <b>Export (50 Hz): 2-Speed/2.0 HP continuous, 8.0A max.</b></p> <p><b>Pump 2:</b>.....North America (60 Hz): 1-Speed/2.5 HP Continuous, 10A max., 56 Frame <b>Export (50 Hz): 1-Speed/2.0 HP continuous, 8.0A max.</b></p> <p><b>Total Hydrojets:</b>.....<b>34</b></p> <p><b>Seat A Jets:</b>.....4 - SL3R Rotational, 2 - SL5R Rotational</p> <p><b>Seat B Jets:</b>.....2 - SL3R Rotational</p> <p><b>Seat C Jets:</b>.....2 - SLR Rotational, 2 - SL Directional, 8 - SL3 Directional</p> <p><b>Seat D Jet:</b>.....1 - SL3R Rotational</p> <p><b>Seat E Jets:</b>.....2 - SLR Rotational, 8 - SL Directional, 1 - SL3 Directional</p> <p><b>Foot Well Jets (F):</b>.....2 - SL3 Directional</p> <p><b>Air Controls/Massage Selectors:</b>...2/None</p> <p><b>Filter:</b>.....75 ft<sup>2</sup> MicroClean® Mini™ Filter Cartridge System</p> <p><b>Water Treatment:</b>.....Factory installed CLEARRAY® unit</p> <p><b>Lighting:</b>.....LED Lighting System (Interior Surround); 2 Standard Exterior Lights</p> <p><b>Cabinet:</b>.....Available in Slate, Graphite</p> <p><b>Shell Colors:</b>.....North America: Platinum, Celestite, Monaco, Midnight, Porcelain <b>Export (50 Hz): All North America colors</b></p> <p><b>Headrest:</b>.....Three, 1-piece gray</p> <p><b>Heater:</b>.....North America (60 Hz): 5.5 kW 240V High Flow Standard <b>Export (50 Hz): 2.7 kW High Flow Standard</b></p> <p><b>Electrical Requirements:</b>.....North America (60 Hz): 240 VAC@40A, 50A or 60A <b>Export (50 Hz): 230-240 VAC@1x16A, 1x32A or 2 out of 3-phase (see manual); or Suitably Rated Circuit Breaker to Comply with Local Electrical Regulations. Certain Countries May Require 2 Power Inputs; Two GFCI/RCD Breakers are Required for This Configuration.</b></p> <p><b>Limited Warranty*:</b>.....North America (60 Hz): 5 Years Shell, 3 Years Shell Surface, 3 Years Plumbing Component Leaks, 3 Years Equipment and Controls, 1 Year Cabinet, 1 Year Jets <b>Export (50 Hz): 5 Years Shell, 3 Years Shell Surface, 3 Years Plumbing Component Leaks, 3 Years Equipment and Controls, 1 Year Cabinet, 1 Year Jets</b></p> <p><b>Alternative Insulation (Standard):</b>..Yes (Insulation Panels)</p> <p><b>Waterfall Feature:</b>.....None</p> <p><b>Audio System (Optional):</b>.....N/A</p> <p><b>Special Features (Optional):</b>.....Factory Installed SmartTub® module</p>	
--	---

\*(See Warranty Document for Specific Details)

Dimensions/Specifications Subject To Change Without Notice

# Sundance Spas 680 Peyton

## Operation/Seat Depths



**(A)** Air Control - Activates Seat A Jets (4 - SL3R, 2 - SL5R) + Seat B Jets (2 - SL3R) + Seat E Jets (2 - SLR, 8 - SL, 1 - SL3) + Footwell Jets (2 - SL3)

**(B)** Air Control - Activates Seat C Jets (2 - SLR, 2 - SL, 8 - SL3) + Seat D Jet (1 - SLR)

- Jets Pump 1: Powers Seat A Jets + Seat B Jets + Seat E Jets + Footwell Jets when running

- Jets Pump 2: Seat C Jets + Seat D Jet when running

### 34 Total Jets (Stainless Steel Escutcheons Standard)



SL Jets (10)



SLR Jets (4)



SL3 Jets (11)



SL3R Jets (7)



SL5R Jets (2)

Spa Operation Subject To Change Without Notice

## SEAT DEPTHS

**A = 26.63" (67.63 cm)**

**B = 22.50" (57.15 cm)**

**C = 25.00" (63.50 cm)**

**D = 22.00" (55.88 cm)**

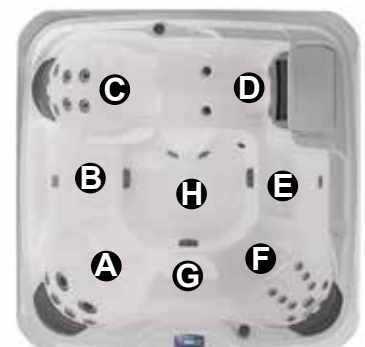
**E = 22.50" (57.15 cm)**

**F = 26.88" (69.85 cm)**

**G = 19.75" (50.16 cm)**

**H = 30.00" (76.20 cm)**

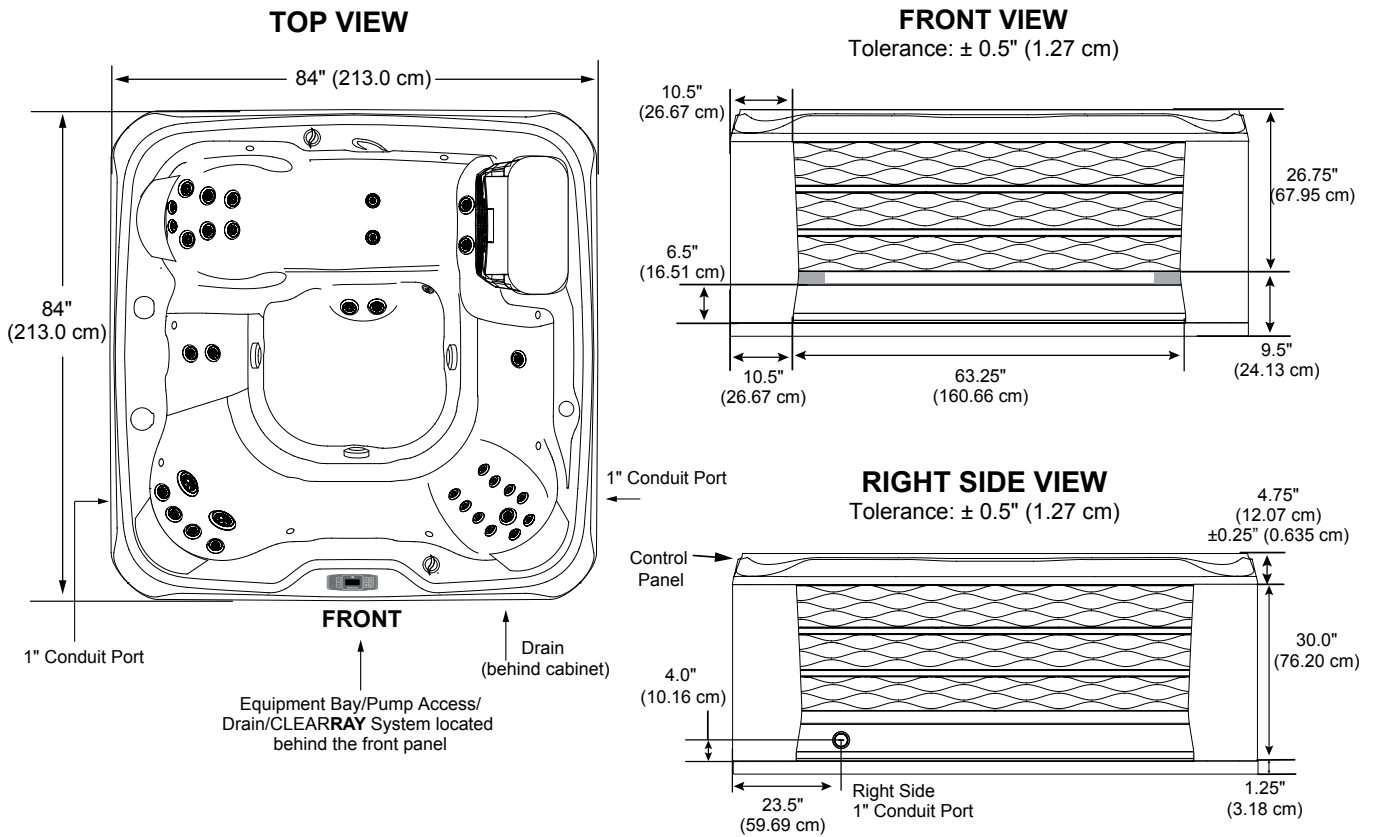
Listed dimensions represent distance from top of acrylic to lowest point in seat. Tolerance  $\pm 0.5"$  (1.27 cm).



Dimensions/Specifications Subject To Change Without Notice

# Sundance Spas 680 Peyton

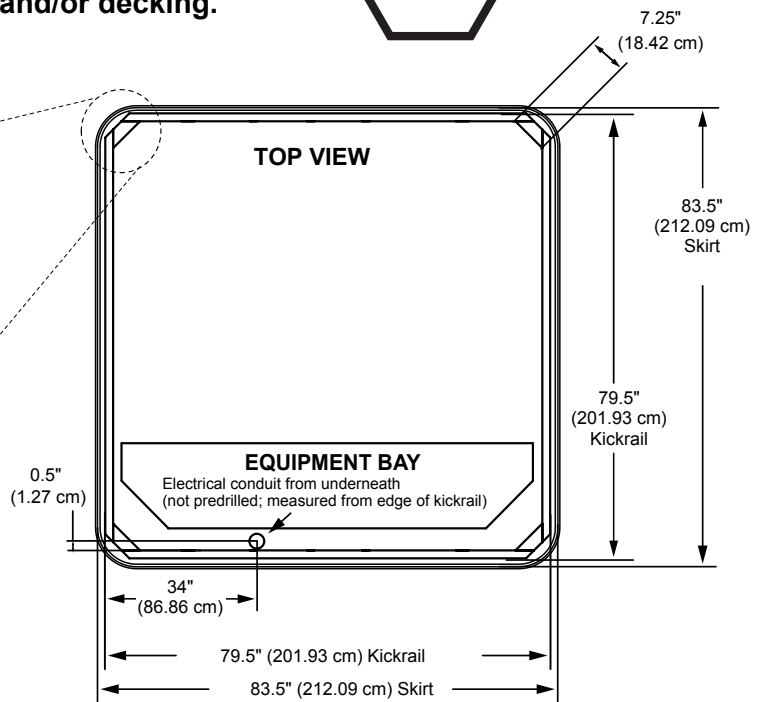
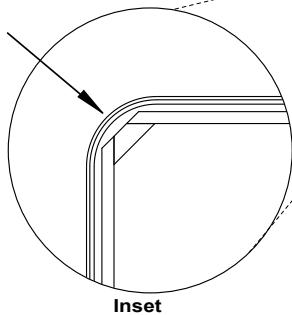
## Portable Dimensions



**IMPORTANT! Always measure each hot tub for exact dimensions BEFORE designing its foundational support and/or decking.**



4 x  $\approx R 10.0"$   
 ( $\approx R25.4$  cm) Skirt



Dimensions/specifications subject to change without notice. Tolerance:  $\pm 0.5"$  (1.27 cm)

Dimensions/Specifications Subject To Change Without Notice

Denne modellen kan kobles med 1-fas 230V C-sikring (treg) og 3-fas (400 volt TN-nett - se egne linjer)

**680-serien:**

Peyton:				
For å få mest mulig glede av badet anbefaler vi høyeste kurs for optimal drift.				
	Type varmeelement	Alternativ tilkobling	Funksjon	Kretskortinnstillinger
Peyton	5,5 kW	3-fas (400 volt TN-nett) 25 amp	Varmeelement og pumper kan brukes samtidig	Se brukermanual.
Peyton	5,5 kW	40 amp	Varmeelement og pumper kan brukes samtidig	Se brukermanual.
Peyton	5,5 kW	32 amp	Varmeelementet slår seg av når pumpene settes på høy hastighet. Pumpe 2 har bare høy hastighet.	Se brukermanual.
Peyton	2,7 kW	3-fas (400 volt TN-nett) 16 amp	Varmeelement og pumper kan brukes samtidig	Se brukermanual.
Peyton	2,7 kW	32 amp	Varmeelement og pumper kan brukes samtidig	Se brukermanual.
Peyton	2,7 kW	20 amp	Varmeelementet slår seg av når pumpene settes på høy hastighet. Pumpe 2 har bare høy hastighet.	Se brukermanual.