


# Sundance® Spas 680 Prado™

## Specifications

<p><b>Dimensions</b> .....80" x 80" x 33" (203 cm x 203 cm x 84 cm)</p> <p><b>Perimeter</b> .....320" (812.8 cm)</p> <p><b>Seating Capacity</b>.....4-5 Adults</p> <p><b>Dry Weight</b>.....603 lbs (274 kg)</p> <p><b>Filled Weight (Spa Volume)</b> .....3,731 lbs (1,692 kg)</p> <p><b>Filled Weight (Average Fill)</b>.....2,8597 lbs (1,314 kg)</p> <p><b>Water Capacity (Spa Volume)</b> .....375 US gallons (1,420 Liters)</p> <p><b>Water Capacity (Average Fill)</b> .....275 US gallons (1,041 Liters)</p> <p><b>Electronic Controls</b> .....Solid state electronic controls with LCD readout, programmable temperature, filtration, and heat cycles</p> <p><b>Pump 1</b>.....North America (60 Hz): 2-Speed, 2.5 HP brake, 1.5 HP continuous, 48 Frame <b>Export (50 Hz): 2-Speed, 2.0 HP continuous</b></p> <p><b>Total Hydrojets:</b> .....<b>26</b></p> <p><b>Seat A Jets:</b>.....3 - SL3 Directional, 1 - SL5R Rotational</p> <p><b>Seat B Jets:</b>.....2 - SLR Rotational, 1 - SL3 Directional, 8 - SL Directional</p> <p><b>Seat C Jet:</b>.....1 - SL3R Rotational</p> <p><b>Seat D Jets:</b>.....6 - SL3 Directional</p> <p><b>Seat E Jets:</b>.....4 - SL3R Rotational</p> <p><b>Air Controls/Massage Selectors:</b> ...2/None</p> <p><b>Filter:</b> .....75 ft² MicroClean® Mini™ Filter Cartridge System</p> <p><b>Water Treatment:</b>.....Factory installed CLEARRAY® unit</p> <p><b>Lighting:</b> .....LED Lighting System (Interior Surround); 2 Standard Exterior Lights</p> <p><b>Cabinet:</b> .....Available in Slate, Graphite</p> <p><b>Shell Colors:</b> .....North America: Platinum, Celestite (Gypsum), Monaco, Midnight, Porcelain <b>Export (50 Hz): All North America colors</b></p> <p><b>Headrest:</b>.....Four, 1-piece gray</p> <p><b>Heater:</b>.....North America (60 Hz): High Flow, 1 kW@120 VAC or Convertible to 4 kW@240 VAC; <b>Export (50 Hz): High Flow, 2.7 kW</b></p> <p><b>Electrical Requirements:</b>.....North America Convertible Model (60 Hz): 120 VAC@15A with Supplied GFCI Cord or 240 VAC@30A or 40A (Hard Wired Only); <b>Export (50 Hz): 230-240 VAC@1x16A, 1x32A or 2 out of 3-phase (see manual); or Suitably Rated Circuit Breaker to Comply with Local Electrical Regulations. Certain Countries May Require 2 Power Inputs; Two GFCI/RCD Breakers are Required for This Configuration.</b></p> <p><b>Limited Warranty*:</b>.....North America (60 Hz): 5 Years Shell, 3 Years Shell Surface, 3 Years Plumbing Component Leaks, 3 Years Equipment and Controls, 1 Year Cabinet, 1 Year Jets <b>Export (50 Hz): 5 Years Shell, 3 Years Shell Surface, 3 Years Plumbing Component Leaks, 3 Years Equipment and Controls, 1 Year Cabinet, 1 Year Jets</b></p> <p><b>Alternative Insulation (Standard):</b>..Yes (Insulation Panels)</p> <p><b>Waterfall Feature:</b> .....None</p> <p><b>Audio System (Optional):</b> .....N/A</p> <p><b>Special Features (Optional):</b> .....Factory Installed SmartTub® module</p>	
--	---

\*(See Warranty Document for Specific Details)

Dimensions/Specifications Subject To Change Without Notice

# Sundance Spas 680 Prado

## Operation/Seat Depths



**(A)** Air control - Activates Seat A Jets (3 - SL3, 1 - SL5R) + Seat B Jets (1 - SLR, 1 - SL3, 8 - SL) + Seat C Jet (1 - SL3R)

**(B)** Air control - Activates Seat D Jets (6 - SL3) + Seat E Jets (4 - SL3R)

• Jets Pump 1: Powers All Jets when running

26 Total Jets (Stainless Steel Escutcheons Standard)



SL Jets (8)



SLR Jets (2)



SL3 Jets (10)



SL3R Jets (5)



SL5R Jet (1)

Spa Operation Subject To Change Without Notice

## SEAT DEPTHS

**A = 23.50" (59.69 cm)**

**B = 20.75" (52.71 cm)**

**C = 25.00" (63.50 cm)**

**D = 22.00" (55.88 cm)**

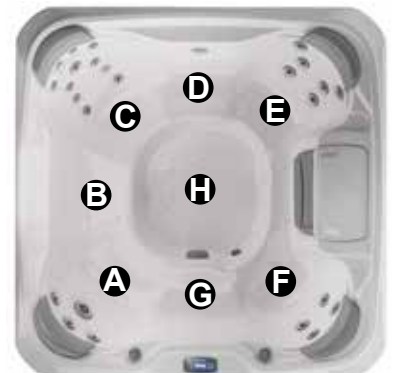
**E = 25.50" (64.77 cm)**

**F = 23.75" (60.33 cm)**

**G = 21.75" (55.25 cm)**

**H = 30.00" (76.20 cm)**

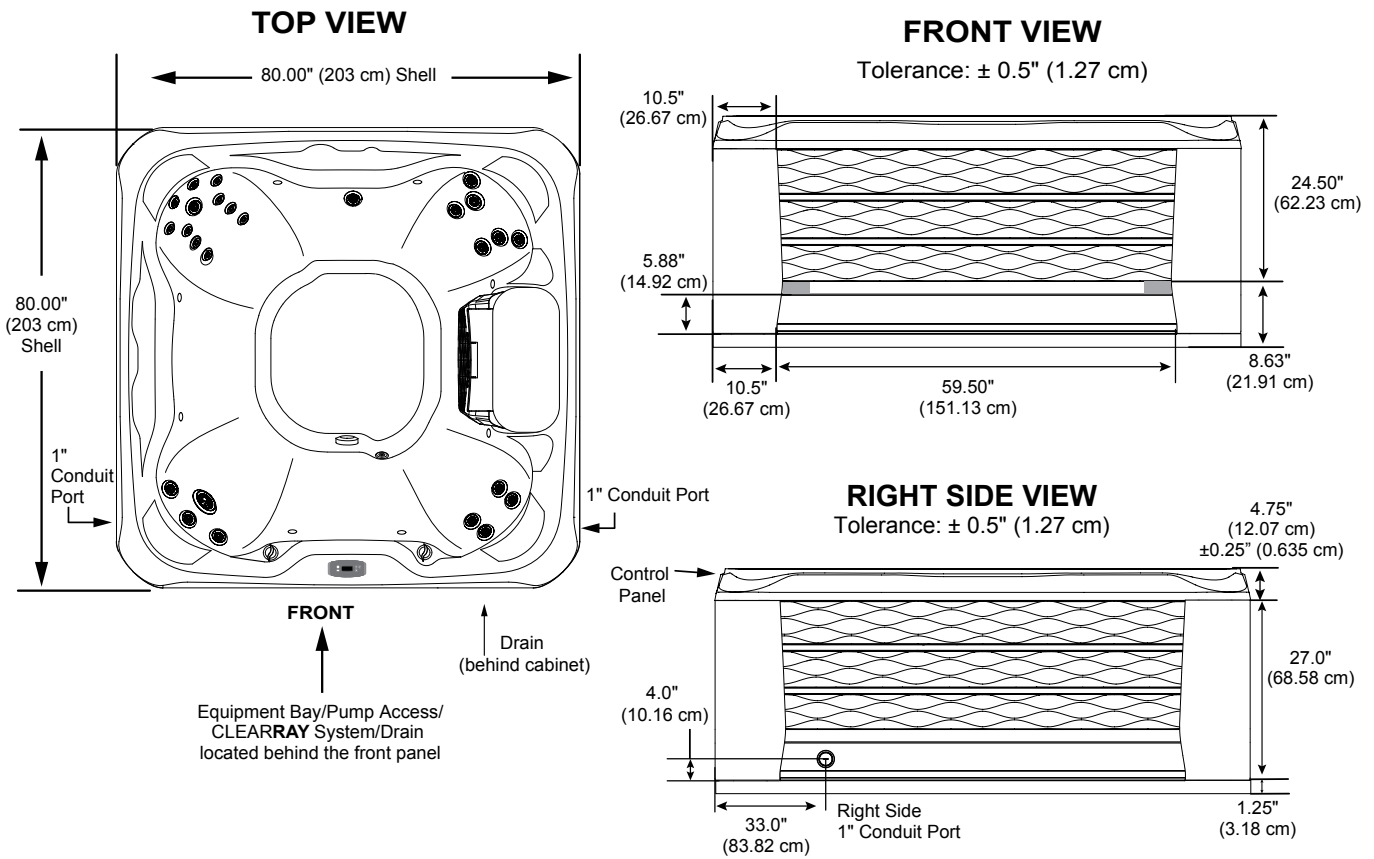
Listed dimensions represent distance from top of acrylic to lowest point in seat. Tolerance  $\pm 0.5"$  (1.27 cm).



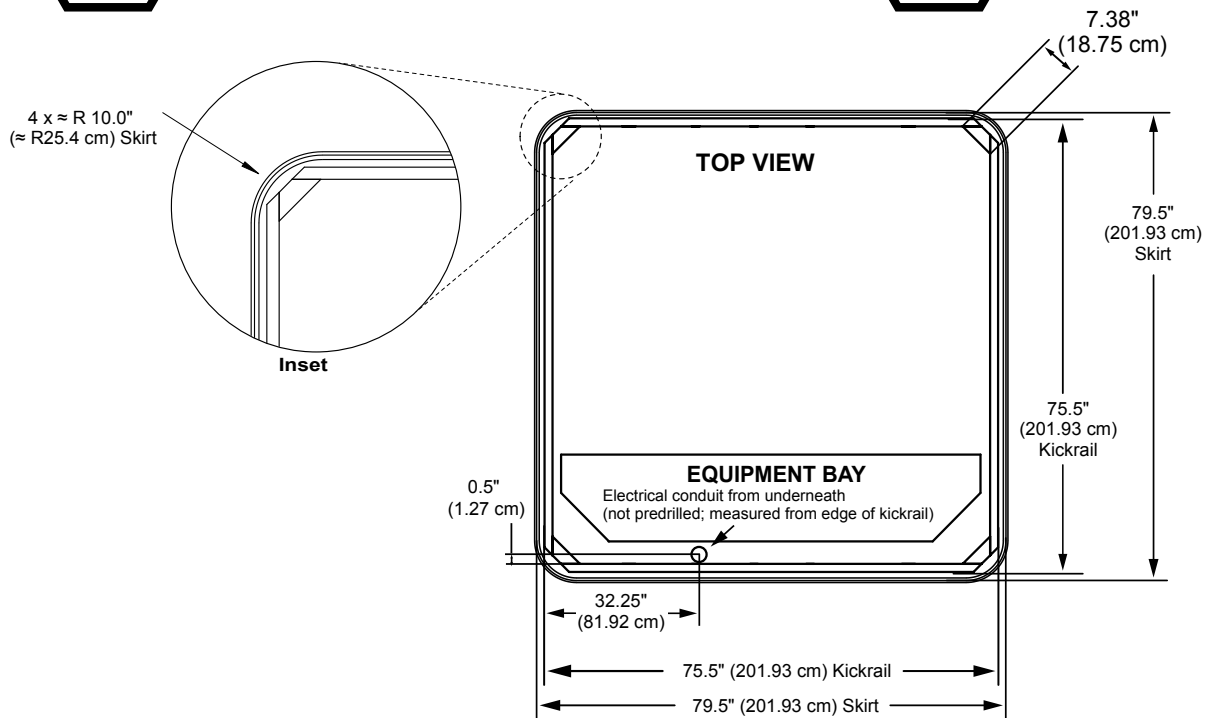
Dimensions/Specifications Subject To Change Without Notice

# Sundance Spas 680 Prado

## Portable Dimensions



**IMPORTANT! Always measure each hot tub for exact dimensions BEFORE designing its foundational support and/or decking.**



Dimensions/Specifications Subject To Change Without Notice

Denne modellen kan kobles med 1-fas 230V C-sikring (treg) og 3-fas (400 volt TN-nett - se egne linjer)

**680-serien:**

Prado: For å få mest mulig glede av badet anbefaler vi høyeste kurs for optimal drift.				
	Type varmeelement	Alternativ tilkobling	Funksjon	Kretskortinnstillinger
Prado	5,5 kW	3-fas (400 volt TN-nett) 25 amp	Varmeelement og pumper kan brukes samtidig	Se brukermanual.
Prado	5,5 kW	40 amp	Varmeelement og pumper kan brukes samtidig	Se brukermanual.
Prado	5,5 kW	32 amp	Varmeelementet slår seg av når pumpene settes på høy hastighet. Pumpe 2 har bare høy hastighet.	Se brukermanual.
Prado	2,7 kW	3-fas (400 volt TN-nett) 16 amp	Varmeelement og pumper kan brukes samtidig	Se brukermanual.
Prado	2,7 kW	32 amp	Varmeelement og pumper kan brukes samtidig	Se brukermanual.
Prado	2,7 kW	20 amp	Varmeelementet slår seg av når pumpene settes på høy hastighet. Pumpe 2 har bare høy hastighet.	Se brukermanual.