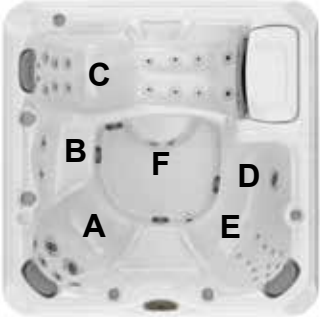


Sundance® Spas 780 Bristol™

Specifications

| | | |
|--|---|---|
| Dimensions: | 84" x 84" x 37.5" (213 cm x 213 cm x 95.25 cm) |  |
| Perimeter | 336" (853.4 cm) | |
| Seating Capacity: | 5 Adults | |
| Dry Weight: | 745 lbs (338 kg) | |
| Filled Weight (Spa Volume): | 4,331 lbs (1,965 kg) | |
| Filled Weight (Average Fill): | 3,664 lbs (1,662 kg) | |
| Water Capacity (Spa Volume): | 430 US Gal (1,628 Liters) | |
| Water Capacity (Average Fill): | 350 US Gal (1,325 Liters) | |
| Controls: | 780 Series Solid-State Electronic Controls with LCD Readout, Programmable Water Temperature, Filtration, and Heat Cycles | |
| Water Delivery: | 2 High Flow Pump | |
| Pump 1: | North America (60 Hz): 1-Speed/2.5 HP Continuous, 12.0A Max., 56 Frame Export (50 Hz): 1-Speed/2.0 HP Continuous, 8.0A Max. | |
| Pump 2: | North America (60 Hz): 1-Speed/2.5 HP Continuous, 11A Max., 56 Frame Export (50 Hz): 1-Speed/2.0 HP Continuous, 7.0A Max. | |
| Pump 3: | 24 Hour Programmable Circ Pump, 8 Hour Factory Default | |
| Total Hydrojets: | 38 | |
| Seat A Jets : | 4 Mini Vortex, 2 Vortex | |
| Seat B Jets: | 2 Mini Vortex | |
| Seat C Jets: | 2 SMT Micro, 6 SMT Fluidix, 6 Adjustable Accu-Pressure, 2 Mini Vortex | |
| Seat D Jets: | 1 Vortex | |
| Seat E Jets: | 2 SMT Micro, 9 Accu-Pressure | |
| Footwell Jets (F): | 2 Mini Vortex | |
| Air Controls/Massage Selectors: | 3/2 Standard air control with LED lights | |
| Filter: | MicroClean® I Filtration System with Floating Weir, 125 ft² combined filtration, (1 pleated and 1 spun-bound cartridge) | |
| Water Treatment: | 8-Hour Circulation Pump; Factory installed CLEARRAY Active Oxygen™ Clear Water System | |
| Lighting: | Standard Multi-Colored SunRay LED Light; 6 LED Pin Lights; Indicator light; Air controls and Exterior Lights(4 stainless steel lights on front cabinet) | |
| Synthetic Cabinet: | Available in Modern Hardwood, Brushed Gray and Vintage Oak | |
| Shell Colors: | North America: Platinum, Celestite, Monaco, Midnight, Porcelain Export (50 Hz): All North America Colors | |
| Handrails: | N/A | |
| Headrests: | Three, 1-Piece Gray | |
| Heater: | North America (60 Hz): 5.5 kW, High Flow Export (50 Hz): High Flow, 2.7 kW | |
| Electrical Requirements: | North America (60 Hz): 240 VAC@40A, 50A, or 60A; Export (50 Hz): 230-240 VAC@1x20A, 1x16A/1x20A, or 3x16A (see manual for more configurations); or Suitably Rated Circuit Breaker to Comply with Local Electrical Regulations. Certain Countries May Require Dual Power Inputs; Two GFCI/RCD Breakers are Required for This Configuration. | |
| Limited Warranty*: | North America (60 Hz): 10 Years Shell, 7 Years Shell Surface, 5 Years Plumbing Component Leaks, 5 Years Equipment and Controls, 5 Years Cabinet, 2 Years Jets, 2 Years Lights, 1 Year Stereo Export (50 Hz): 10 Years Shell, 7 Years Shell Surface, 5 Years Plumbing Component Leaks, 5 Years Equipment and Controls, 5 Years Cabinet, 2 Years Jets, 2 Years Lights, 2 Years Stereo | |
| Waterfall Feature: | On/Off Flow Rate on when circulation pump is running; Colored Lighting | |
| Audio System (Optional): | Factory Installed BLUEWAVE® Spa Stereo System with an Auxiliary 3.5 mm headphone jack connection and Bluetooth® compatible | |
| Special Features (Optional): | Factory Installed SmartTub® module | |

*(See Warranty Document for Specific Details)

Dimensions/Specifications Subject To Change Without Notice

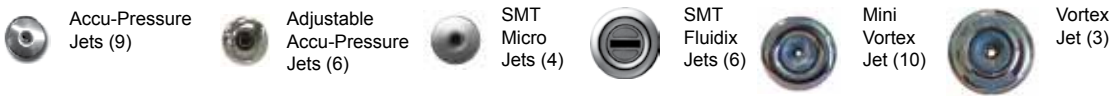
Sundance Spas 780 Bristol

Operation/Seat Depths



- (A) Air Control - Activates Seat A Jets (2 Mini Vortex, 2 Vortex)
- (B) Massage Selector [Pump 2]- Adjusts Massage Level Between Seat B Jets + Seat D Jet + Footwell Jets and Seat E Jets
- (C) Massage Selector [Pump 1]- Adjusts Massage Level Between Seat C Jets and Seat A Jets
- (D) Air Control - Seat C Jets (2 SMT Micro, 6 SMT Fluidix, 6 Adjustable Accu-Pressure, 2 Mini Vortex)
- (E) Air Control - Activates Seat E Jets (2 SMT Micro, 9 Accu-Pressure) + Seat D Jets (2 Vortex) + Seat D Jets (2 Vortex) + Footwell Jets (2 Mini Vortex)
- (F) Waterfall Selector [8-Hour Circ. Pump]- Controls Waterfall Output

38 Total Jets (Stainless Steel Escutcheons Standard)



Spa Operation Subject To Change Without Notice

SEAT DEPTHS

A = 27.00" (68.58 cm)
B = 19.50" (49.53 cm)
C = 25.25" (64.14 cm)
D = 26.25" (66.68 cm)

E = 27.50" (69.85 cm)
F = 18.25" (46.36 cm)
G = 32.70" (83.06 cm)

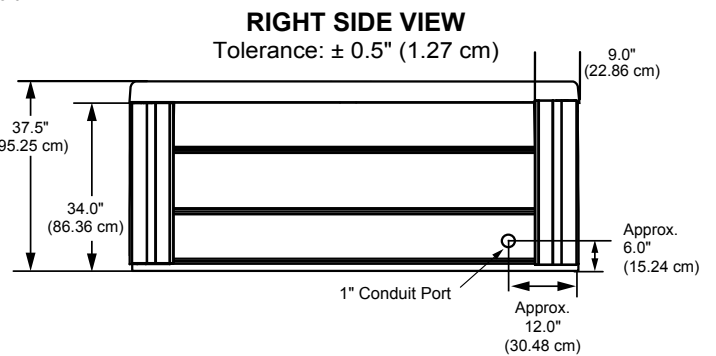
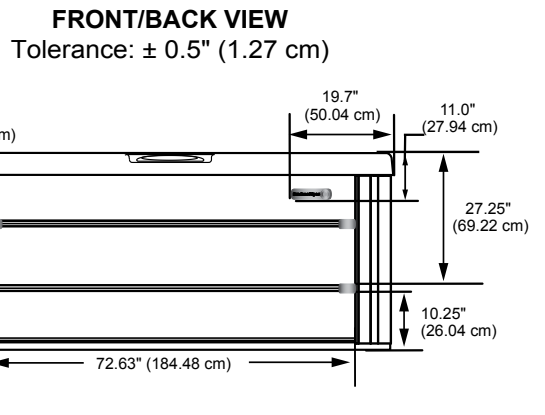
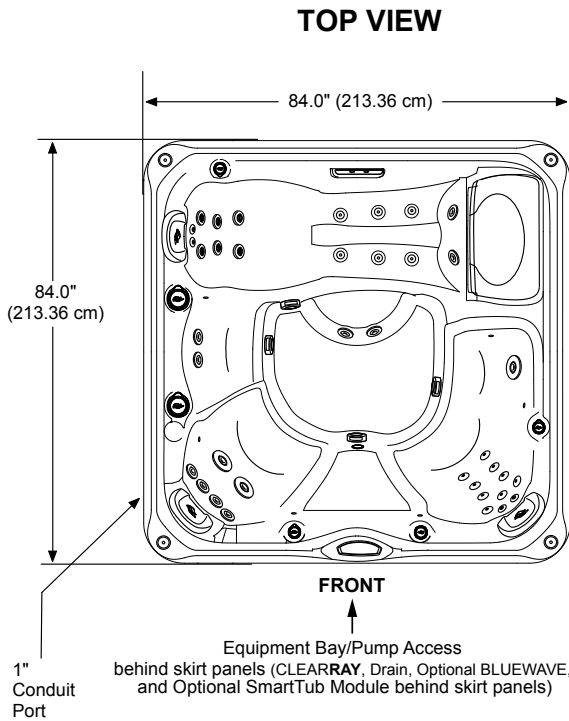
Listed dimensions represent distance from top of acrylic to lowest point in seat. **Tolerance ± 0.5" (1.27 cm).**



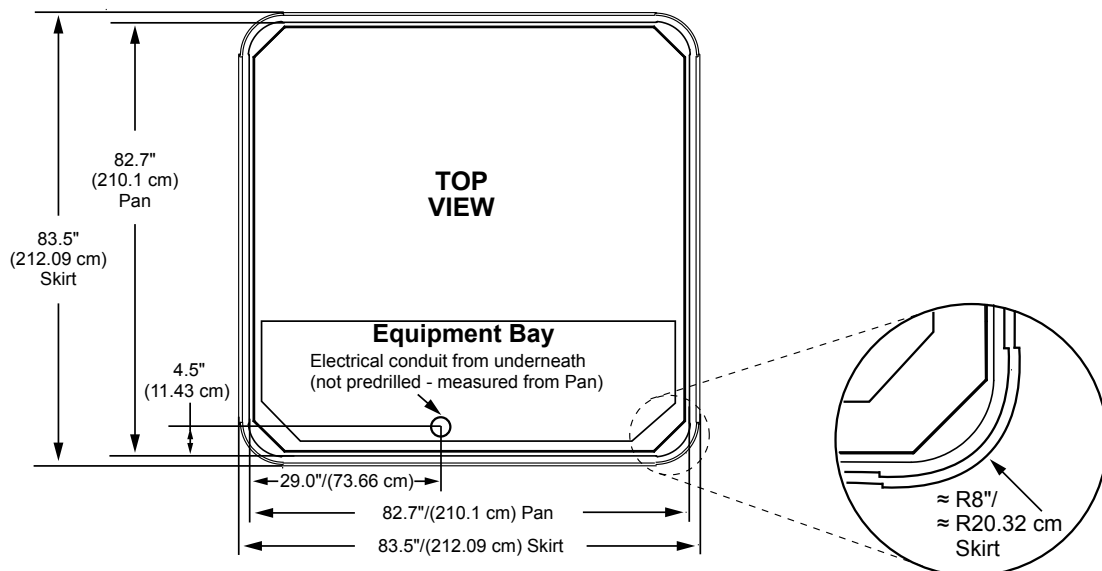
Dimensions/Specifications Subject To Change Without Notice

Sundance Spas 780 Bristol

Portable Dimensions



IMPORTANT! Always measure each hot tub for exact dimensions **BEFORE** designing its foundational support and/or decking.



Dimensions/specifications subject to change without notice. Tolerance: $\pm 0.5"$ (1.27 cm)

Dimensions/Specifications Subject To Change Without Notice

Denne modellen kan kobles med 1-fas 230V C-sikring (treg) og 3-fas (400 volt TN-nett - se egne linjer)

780-serien:

| For å få mest mulig glede av badet anbefaler vi høyeste kurs for optimal drift. | | | | |
|---|-------------------|---------------------------------|---|------------------|
| Bristol: | Type varmeelement | Alternativ tilkobling | Funksjon | |
| | | | Kretskortinnstillinger | |
| Bristol | 5,5 kW | 3-fas (400 volt TN-nett) 25 amp | Varmeelement og pumper kan brukes samtidig | Se brukermanual. |
| Bristol | 5,5 kW | 40 amp eller 20 + 25 amp | Varmeelement og pumper kan brukes samtidig | Se brukermanual. |
| Bristol | 5,5 kW | 25 amp | Alle pumper kan brukes samtidig. Varmeelementet slår seg automatisk av når pumpene startes. | Se brukermanual. |
| Bristol | 2,7 kW | 3-fas (400 volt TN-nett) 16 amp | Varmeelement og pumper kan brukes samtidig | Se brukermanual. |
| Bristol | 2,7 kW | 32 amp eller 16 + 20 amp | Varmeelement og pumper kan brukes samtidig | Se brukermanual. |
| Bristol | 2,7 kW | 20 amp | Varmeelementet slår seg automatisk av når pumpene startes. | Se brukermanual. |