

Sundance® Spas 780™ Hamilton™

Specifications



Dimensions:	89" x 89" x 37.5" (226 cm x 226 cm x 95.25 cm)
Seating Capacity:	5-6 Adults
Dry Weight:	826 lbs (375 kg)
Filled Weight (Spa Volume):	4,996 lbs (2,266 kg)
Filled Weight (Average Fill):	4,104 lbs (1,861 kg)
Water Capacity (Spa Volume):	500 US Gal. (1,893 Liters)
Water Capacity (Average Fill):	393 US Gal. (1,488 Liters)
Controls:	780 Series Solid-State Electronic Controls with LCD Readout Programmable Water Temperature, Filtration, and Heat Cycles
Water Delivery:	2 High Flow Pumps
Pump 1:	North America (60 Hz): 1-Speed/2.5 HP Continuous, 12.0A Max. Export (50 Hz): 1-Speed/2.0 HP Continuous, 8.0A Max.
Pump 2:	North America (60 Hz): 1-Speed/2.5 HP Continuous, 11.0A Max. Export (50 Hz): 1-Speed/2.0 HP Continuous, 7.0A Max
Pump 3:	24 Hour Programmable Circ Pump, 8 Hour Factory Default
Total Hydrojets:	41
Seat A Jets:	4 Vortex Mini, 2 Vortex
Seat B Jets:	2 SMT Fluidix
Seat C Jets:	2 SMT Micro, 2 Vortex Mini, 6 SMT Fluidix, 6 Adjustable Accu-Pressure
Seat D Jets:	2 Vortex
Seat E Jets:	9 Accu-Pressure, 4 SMT Micro
Footwell Jet (F):	2 Vortex Mini
Air Controls/Massage Selectors:	3/1 Standard air control with LED lights
Filter:	MicroClean® I Filtration System with Floating Weir, 125 ft ² combined filtration (1 pleated and 1 spun-bound cartridge)
Water Treatment:	8-Hour Circulation Pump; Factory installed CLEARRAY Active Oxygen™ Water System
Lighting:	Standard Multi-Colored SunRay LED Light; 6 LED Pin lights; Indicator light; Air controls and Exterior Lights (4 stainless steel lights on front cabinet)
Synthetic Cabinet:	Available in Modern Hardwood, Brushed Gray and Vintage Oak
Shell Colors:	North America: Platinum, Celestite, Monaco, Midnight, Porcelain Export (50 Hz): All North America Colors
Handrails:	N/A
Headrests:	Three, 1-Piece Gray
Heater:	North America (60 Hz): 5.5 kW, High Flow Export (50 Hz): High Flow, 2.7 kW
Electrical Requirements:	North America (60 Hz): 240 VAC@40A, 50A, or 60A; Export (50 Hz): 230-240 VAC@1x20A, 1x16A/1x20A, or 3x16A (see manual for more configurations); or Suitably Rated Circuit Breaker to Comply with Local Electrical Regulations. Certain Countries May Require 2 Power Inputs; Two GFCI/RCD Breakers are Required for This Configuration.
Limited Warranty*:	North America (60 Hz): 10 Years Shell, 7 Years Shell Surface, 5 Years for Plumbing Component Leaks, 5 Years Equipment and Controls, 5 Years Cabinet, 2 Years Jets, 2 Years Lights, 1 Year Stereo Export (50 Hz): 10 Years Shell, 7 Years Shell Surface, 5 Years Plumbing, 5 Years Equipment and Controls, 5 Years Cabinet, 2 Years Jets, 2 Years Lights, 2 Years Stereo
Waterfall Feature:	On/Off Flow Rate; Colored Lighting
Audio System (Optional):	Factory Installed BLUEWAVE® Spa Stereo System with an Auxiliary 3.5 mm headphone jack connection and Bluetooth® compatible
Special Features (Optional):	Factory Installed SmartTub® module

*(See Warranty Document for Specific Details)

Dimensions/Specifications Subject To Change Without Notice

Sundance Spas 780 Hamilton

Operation/Seat Depths



(A) Air Control - Activates Seat A Jets (2 Vortex, 4 Vortex Mini) + Seat B Jet (2 SMT Fluidix) + Seat D (2 Vortex) + Footwell Jets (2 Vortex Mini)

(B) Air Control - Activates Seat C Jets (2 SMT Micro, 2 Vortex Mini, 6 SMT Fluidix, 6 Adjustable Accu-Pressure)

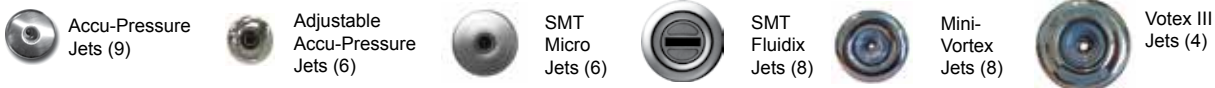
(C) Massage Selector [Pump 1]- Adjusts Massage Level Between Seat C Jets and Seat E Jets

(D) Air Control - Activates Seat E Jets (2 SMT Micro, 9 Accu-Pressure)

(E) Waterfall Selector [8-Hour Circ. Pump] - Controls Waterfall Output

• Jets Pump 2: Seat A Jets + Seat B Jets + Seat D Jets + Footwell Jets are always on when this pump is running

41 Total Jets (Stainless Steel Escutcheons Standard)



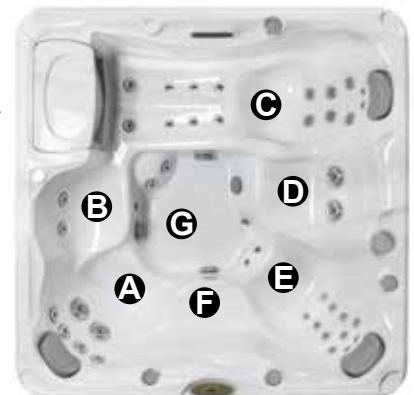
Spa Operation Subject To Change Without Notice

SEAT DEPTHS

A = 27.25" (69.22 cm)
B = 20.50" (52.07 cm)
C = 25.50" (64.77 cm)
D = 22.75" (57.79 cm)

E = 27.25" (69.22 cm)
F = 18.25" (46.36 cm)
G = 32.50" (82.55 cm)

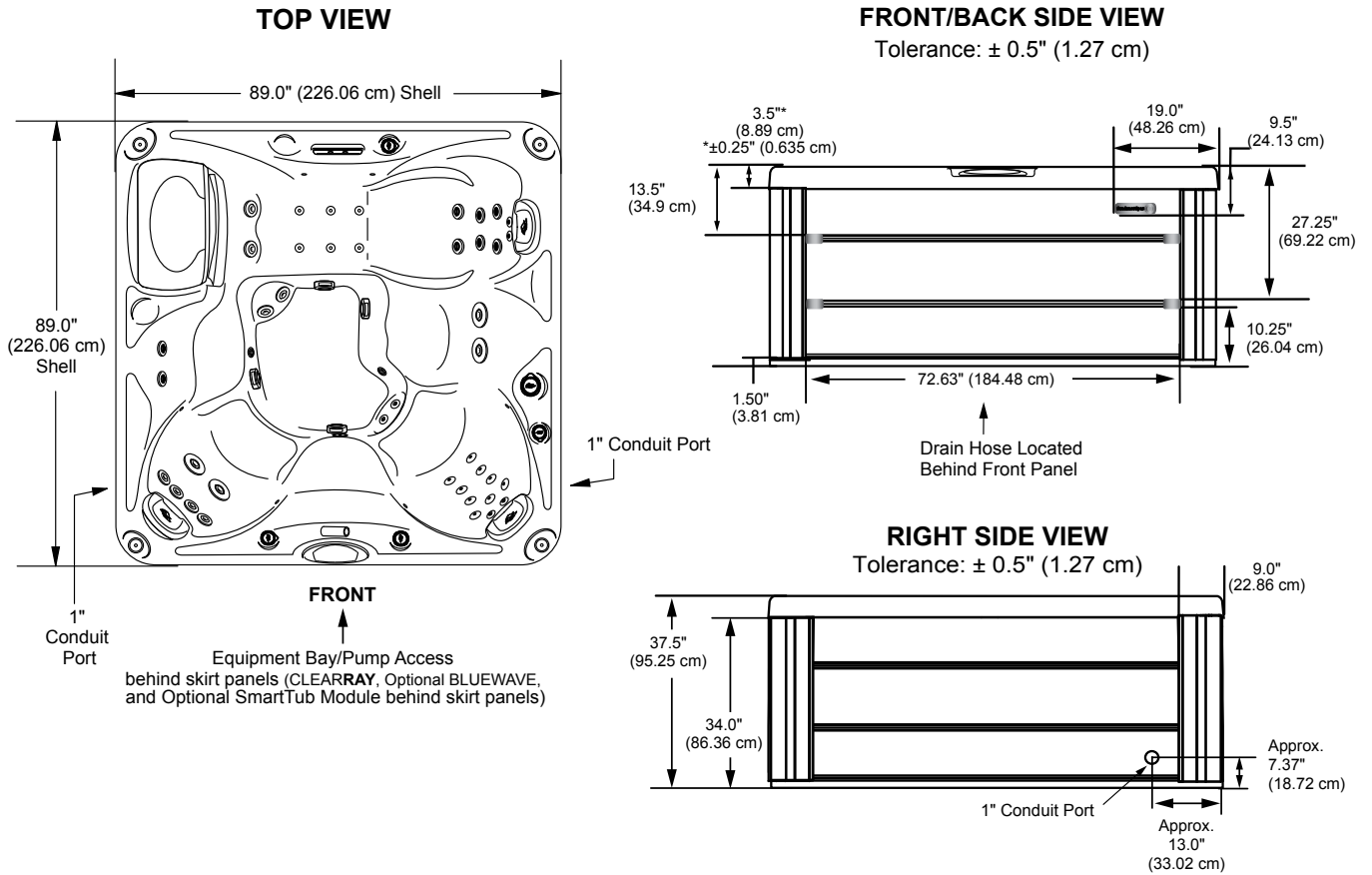
Listed dimensions represent distance from top of acrylic to lowest point in seat. Tolerance $\pm 0.5"$ (1.27 cm).



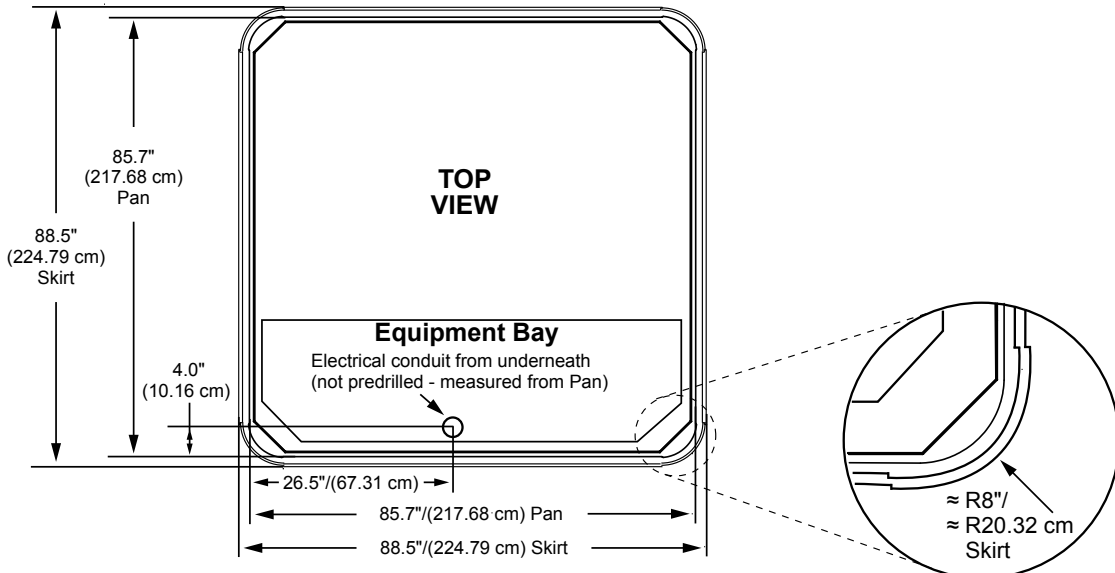
Dimensions/Specifications Subject To Change Without Notice

Sundance Spas 780 Hamilton

Portable Dimensions



STOP **IMPORTANT! Always measure each hot tub for exact dimensions BEFORE designing its foundational support and/or decking.** **STOP**



Dimensions/specifications subject to change without notice. Tolerance: ± 0.5" (1.27 cm)

Dimensions/Specifications Subject To Change Without Notice

Denne modellen kan kobles med 1-fas 230V C-sikring (treg) og 3-fas (400 volt TN-nett - se egne linjer)

780-serien:

Hamilton: For å få mest mulig glede av badet anbefaler vi høyeste kurs for optimal drift.				
	Type varmeelement	Alternativ tilkobling	Funksjon	Kretskortinnstillinger
Hamilton	5,5 kW	3-fas (400 volt TN-nett) 25 amp	Varmeelement og pumper kan brukes samtidig	Se brukermanual.
Hamilton	5,5 kW	40 amp eller 20 + 25 amp	Varmeelement og pumper kan brukes samtidig	Se brukermanual.
Hamilton	5,5 kW	25 amp	Alle pumper kan brukes samtidig. Varmeelementet slår seg automatisk av når pumpene startes.	Se brukermanual.
Hamilton	2,7 kW	3-fas (400 volt TN-nett) 16 amp	Varmeelement og pumper kan brukes samtidig	Se brukermanual.
Hamilton	2,7 kW	32 amp eller 16 + 20 amp	Varmeelement og pumper kan brukes samtidig	Se brukermanual.
Hamilton	2,7 kW	20 amp	Varmeelementet slår seg automatisk av når pumpene startes.	Se brukermanual.