

# Sundance® Spas 880 Capri®

## Specifications

<b>Dimensions:</b> .....	69" x 82" x 30.5" (175.5 cm x 208.5 cm x 77.5 cm)
<b>Seating Capacity:</b> .....	2-3 Adults
<b>Dry Weight:</b> .....	660 lbs (299 kg)
<b>Filled Weight (Spa Volume):</b> .....	2,995 lbs (1,359 kg)
<b>Filled Weight (Average Fill):</b> .....	2,286 lbs (1,037 kg)
<b>Water Capacity (Total Volume):</b> .....	280 US Gal (1,060 Liters)
<b>Water Capacity (Average Fill):</b> .....	195 US Gal (738 Liters)
<b>Controls:</b> .....	880 Touch Interface LCD Control, Displays Temperature, Time, Cycles and Jet/Air System Control. Offers Customizing of Filtration Cycles, Lighting, Water Temperature Setting and other features
<b>Water Delivery:</b> .....	1 TheraMax High-Flow Pump and 8-Hour Dynamic Flow Circulation System
<b>Pump 1:</b> .....	North America (60 Hz): 1-Speed/2.5 HP Continuous, 11.3A Max., 56 Frame <b>Export (50 Hz): 1-Speed/2.0 HP Continuous, 7.0A Max.</b>
<b>Pump 2:</b> .....	High Output Dynamic Flow, 24-Hour programmable, factory default set to 8-Hour Filter/ Circulation Pump (35 gp m), Programmable for Daily Start Time and Duration
<b>Total Hydrojets:</b> .....	<b>36</b>
<b>Seat A Jets:</b> .....	12 Fluidix ST, 2 Fluidix Nex, 4 Focus-Relief, 4 Accu-Pressure
<b>Seat B Jets:</b> .....	6 Fluidix Reflex, 2 Fluidix Nex, 4 Focus-Relief, 2 Vortex
<b>Air Blower:</b> .....	High-Efficiency, 1-Speed
<b>Aromatherapy Delivery:</b> .....	4 Air Injector Jets with Quiet High Speed Air Pump
<b>Air Controls/Massage Selectors:</b> .....	2/1 (Standard air control with LED lights and massage selector with LED lights)
<b>Filter:</b> .....	MicroClean® Ultra II Filtration System, 130 ft² (2 interlocking cartridge filters)
<b>Water Treatment:</b> .....	Dynamic Flow Circulation System; Factory installed CLEARARRAY Active Oxygen™ Water System
<b>Lighting:</b> .....	Multi-Colored Sunglow LED Lighting System (1 Waterfall, 1 Underwater, 2 Air controls, 1 Massage Selectors, Exterior lights)
<b>Skirt Cabinet (SunSide™):</b> .....	Windy Oak, Ironwood and Flint Gray
<b>Shell Colors:</b> .....	North America: Platinum, Celestite (Gypsum), Monaco, Midnight, Porcelain <b>Export: All North America Colors</b>
<b>Handrails:</b> .....	1 Integral
<b>ComforTone Headrests:</b> .....	Two, 1-Piece Gray
<b>Heater:</b> .....	North America (60 Hz): Hi Flow 5.5 kW with Titanium Element <b>Export (50 Hz): Hi Flow 2.7 kW with Titanium Element</b>
<b>Electrical Requirements:</b> .....	North America (60 Hz): 240 VAC@40A or 50A; <b>Export (50 Hz): 230-240 VAC@1x16A, 2x16A (see manual for more configurations); or Suitably Rated Circuit Breaker to Comply with Local Electrical Regulations. Certain Countries May Require Dual Power Inputs; Two GFCI/RCD Breakers are Required for This Configuration.</b>
<b>Limited Warranty*:</b> .....	North America (60 Hz): 10 Years Shell, 7 Years Shell Surface, 5 Years Plumbing Component Leaks, 5 Years Equipment and Controls, 5 Years Cabinet, 5 Years Jets, 2 Years Lights, 1 Year Stereo <b>Export (50 Hz): 10 Years Shell, 7 Years Shell Surface, 5 Years Plumbing Component Leaks, 5 Years Equipment and Controls, 5 Years Cabinet, 5 Years Jets, 2 Years Lights, 2 Years Stereo</b>
<b>Waterfall Feature:</b> .....	Adjustable Flow Rate; Colored Lighting
<b>Audio System (Optional):</b> .....	Factory Installed BLUEWAVE® 2.0 Wireless Spa Stereo System with Auxiliary 3.5 mm headphone jack connection, Bluetooth® compatible, 2 premium speakers and a powered subwoofer
<b>Special Features:</b> .....	MicroClean® Plus Versatile Filter Lid, <b>Optional</b> (Factory Installed) SmartTub® Module, <b>Optional</b> Inductive Charger



\*(See Warranty Document for Specific Details)

Dimensions/Specifications Subject To Change Without Notice

# Sundance Spas 880 Capri

## Operation/Seat Depths



- (A)** Sunscents Dispenser
- (B)** Air Control - Activates Seat A Jets (12 Fluidix-ST, 2 Fluidix Nex, 4 Accu-Pressure)
- (C)** Massage Selector - Adjusts Massage Level Between Seat A Jets and Seat B Jets
- (D)** Air Control - Activates Seat B Jets (6 Fluidix Reflex, 2 Fluidix Nex, 2 Vortex)
- (E)** Waterfall Selector [8-Hour Circ. Pump] - Controls Waterfall Output

- Focus-Relief Jets: Work with both the blower and Jets Pump 1. The blower introduces air to the jet and the Jets Pump forces water through.

### 36 Total Jets

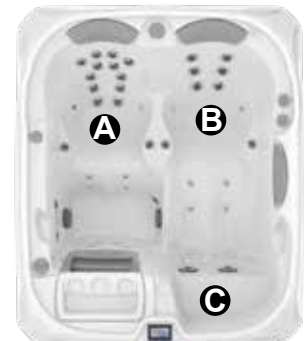


Spa Operation Subject To Change Without Notice

## SEAT DEPTHS

- A = 24.00" (60.96 cm)**
- B = 24.50" (62.23 cm)**
- C = 12.00" (30.48 cm)**

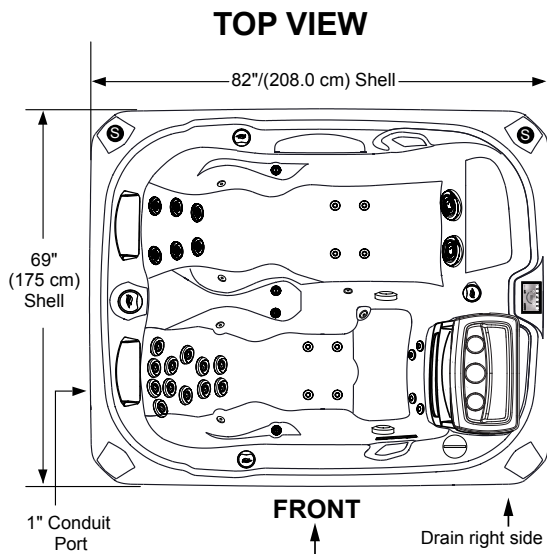
Listed dimensions represent distance from top of acrylic to lowest point in seat. **Tolerance ± 0.5" (1.27 cm).**



Dimensions/Specifications Subject To Change Without Notice

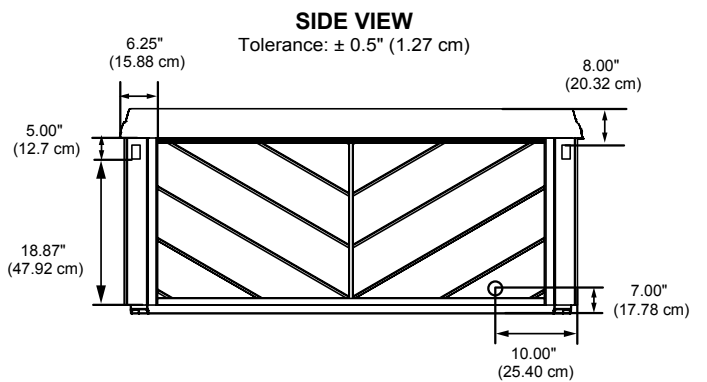
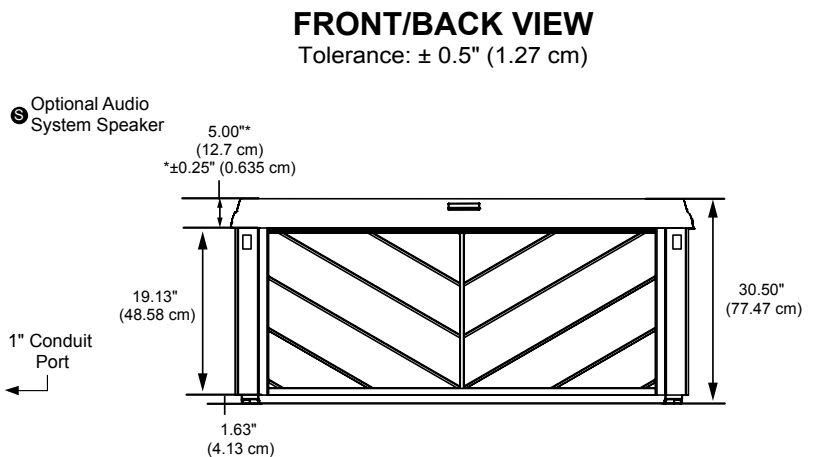
# Sundance Spas 880 Capri

## Portable Dimensions

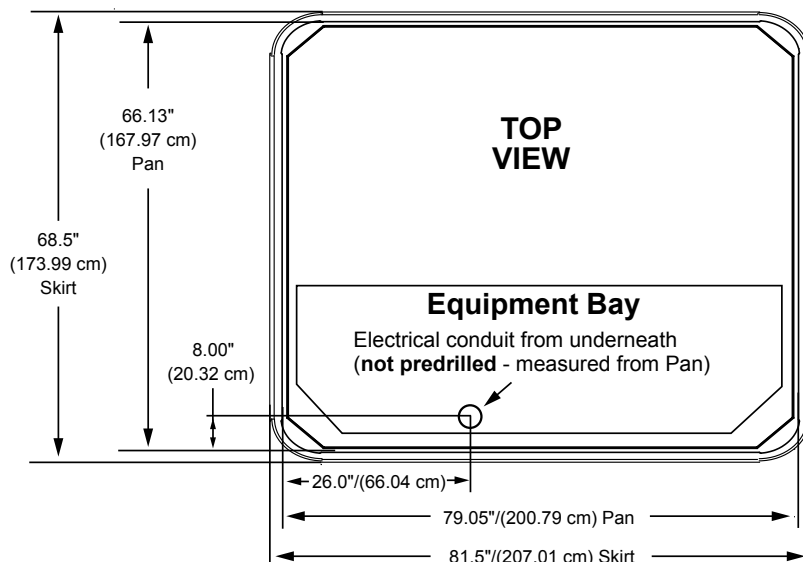


Equipment Bay/Pump Access behind skirt panels (CLEARRAY, Optional BLUEWAVE, and Optional SmartTub Module behind skirt panels)

**NOTE:** Over time the panel(s) may bow, this is considered normal. The panels will straighten out when reinstalled into the mounting channel. Place one end of the panel into the channel first then flatten the panel and insert the other end.




**IMPORTANT!** Always measure each hot tub for exact dimensions **BEFORE** designing its foundational support and/or decking.

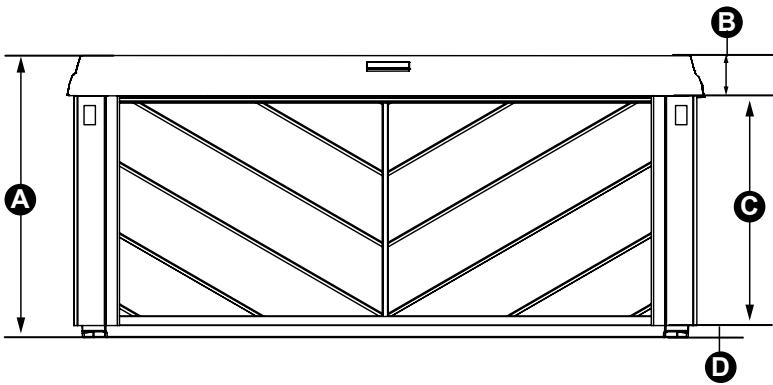


Dimensions/specifications subject to change without notice. Tolerance:  $\pm 0.5"$  (1.27 cm)

Dimensions/Specifications Subject To Change Without Notice

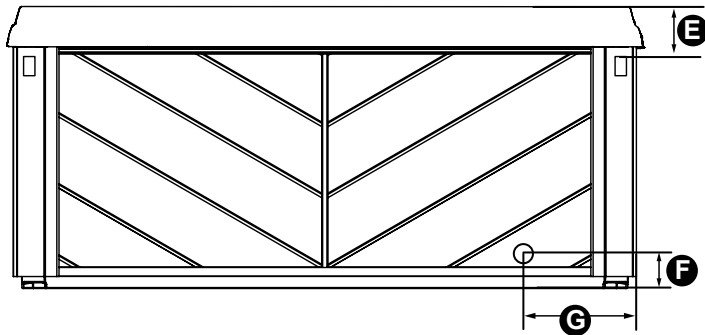
# SunSide Dimensions

Spa Models	DIMENSIONS A-F (All measurements are an approximate)					
	A	B* *±0.25" (0.635 cm)	C	D	E	F
Aspen	40.0" (101.60 cm)	TBD	TBD	TBD	TBD	4.0" (10.16 cm)  7.0" (17.38 cm)
Optima	37.0" (93.98 cm)	5.0" (12.7 cm)	30.63" (77.79 cm)	1.38" (3.49 cm)	8.0" (20.32 cm)	
Cameo						
Altamar						
Vistamar						
Marin	34.0" (86.36 cm)	27.75" (70.49 cm)	1.63" (4.13 cm)			
Capri	30.5" (77.47 cm)	24.25" (61.60 cm)				
DIMENSIONS G-I (All measurements are an approximate)						
	G	 <b>IMPORTANT! Always measure each hot tub for exact dimensions BEFORE designing its foundation support and/or decking.</b>				
Aspen	9.5" (24.13 cm)					
Optima						
Cameo						
Altamar						
Vistamar						
Marin						
Capri	10.0" (25.4 cm)					
- Dimensions Subject to Change Without Notice - Tolerance: ± 0.5" (1.27 cm)						



An 18" clearance, all around the spa, is recommended. This clearance is needed for panel removal or when servicing.

**NOTE:** Over time the panel(s) may bow, this is considered normal. The panels will straighten out when reinstalled into the mounting channel. Place one end of the panel into the channel first then flatten the panel and insert the other end.



Tolerance: ± 0.5" (1.27 cm)

Dimensions/Specifications Subject To Change Without Notice

Denne modellen kan kobles med 1-fas 230V C-sikring (treg) og 3-fas (400 volt TN-nett - se egne linjer)

**880-serien:**

For å få mest mulig glede av badet anbefaler vi høyeste kurs for optimal drift.				
Capri:	Type varmeelement	Alternativ tilkobling	Funksjon	
			<b>Kretskortinnstillinger</b>	
Capri	5,5 kW	3-fas (400 volt TN-nett) 25 amp	Varmeelement og pumper kan brukes samtidig	Se brukermanual.
Capri	5,5 kW	40 amp eller 16 + 25 amp	Varmeelement og pumper kan brukes samtidig	Se brukermanual.
Capri	5,5 kW	25 amp	Begge pumpene kan brukes samtidig. Varmeelementet slår seg automatisk av når pumpene startes.	Se brukermanual.
Capri	2,7 kW	3-fas (400 volt TN-nett) 16 amp	Varmeelement og pumper kan brukes samtidig	Se brukermanual.
Capri	2,7 kW	25 amp eller 16 + 16 amp	Varmeelement og pumper kan brukes samtidig	Se brukermanual.
Capri	2,7 kW	16 amp	Varmeelementet slår seg av når pumpene startes.	Se brukermanual.