


# Sundance® Spas 780 Chelsea®

## Specifications

<b>Dimensions:</b> .....	89" x 89" x 37.5" (226 cm x 226 cm x 96 cm)	
<b>Seating Capacity:</b> .....	6-7 Adults	
<b>Dry Weight:</b> .....	873 lbs (396 kg)	
<b>Filled Weight (Average Fill)**:</b> .....	4,001 lbs (1,815 kg)	
<b>Water Capacity (Average Fill):</b> .....	375 US Gal (1,420 Liters)	
<b>Controls:</b> .....	Solid-State Electronic Touchscreen Controls, Programmable Water Temperature, Filtration, and Heat Cycles	
<b>Water Delivery:</b> .....	2 High Flow Pumps	
<b>Pump 1:</b> .....	North America (60 Hz): 1-Speed/2.5 HP Continuous, 12.0A Max., 56 Frame <b>Export (50 Hz): 1-Speed/2.0 HP Continuous, 8.0A Max.</b>	
<b>Pump 2:</b> .....	North America (60 Hz): 1-Speed/2.5 HP Continuous, 11.0A Max., 56 Frame <b>Export (50 Hz): 1-Speed/2.0 HP Continuous, 7.0A Max.</b>	
<b>Pump 3:</b> .....	24 Hour Programmable Circ Pump, 8 Hour Factory Default	
<b>Total Hydrojets:</b> .....	<b>41</b>	
<b>Seat A Jets:</b> .....	3 Vortex	
<b>Seat B Jets:</b> .....	2 SMT Fluidix	
<b>Seat C Jets:</b> .....	4 SMT Micro, 9 Accu-Pressure	
<b>Seat D Jets:</b> .....	1 Vortex	
<b>Seat E Jets:</b> .....	2 SMT Micro, 6 SMT Fluidix	
<b>Seat F Jets:</b> .....	4 Mini-Vortex, 2 Fluidix Intelli-Jets	
<b>Footwell Jets (G):</b> .....	8 Adjustable Accu-Pressure	
<b>Air Controls/Massage Selectors:</b> .....	4/1 Standard air control with LED lights	
<b>Filter:</b> .....	MicroClean® Ultra II Lite Filtration System, 100 ft² (2 interlocking cartridge filters)	
<b>Water Treatment:</b> .....	8-Hour Circulation Pump; Factory installed ClearRay Active Oxygen® System <b>Export: ClearRay Active Oxygen® System</b>	
<b>Lighting:</b> .....	Standard Multi-Colored LED Light; 7 LED Pin Lights; Indicator light; Air controls and Exterior Lights (4 stainless steel white lights on front cabinet)	
<b>Synthetic Cabinet:</b> .....	Available in Modern Hardwood, Brushed Gray and Vintage Oak	
<b>Shell Colors:</b> .....	Platinum, Celestite, Morning Mist, Midnight, Travertine, Monaco (while quantities last)	
<b>Handrails:</b> .....	N/A	
<b>Headrests:</b> .....	Four, 1-Piece Gray	
<b>Heater:</b> .....	North America (60 Hz): 5.5 kW, High Flow <b>Export (50 Hz): High Flow, 2.7 kW</b>	
<b>Electrical Requirements:</b> .....	North America (60 Hz): 240 VAC@40A, 50A, or 60A; <b>Export (50 Hz): 230-240 VAC@1x32A, 1x16A/1x20A, or 3x16A (see manual for more configurations); or Suitably Rated Circuit Breaker to Comply with Local Electrical Regulations. Certain Countries May Require Dual Power Inputs; Two GFCI/RCD Breakers are Required for This Configuration.</b>	
<b>Limited Warranty*:</b> .....	North America (60 Hz): 10 Years Shell, 7 Years Shell Surface, 5 Years for Plumbing Component Leaks, 5 Years Equipment and Controls, 5 Years Cabinet, 2 Years Jets, 2 Years Lights, 1 Year Stereo <b>Export (50 Hz): 10 Years Shell, 7 Years Shell Surface, 5 Years Plumbing, 5 Years Equipment and Controls, 5 Years Cabinet, 2 Years Jets, 2 Years Lights, 2 Years Stereo</b>	
<b>Waterfall Feature:</b> .....	On/Off Flow Rate; Colored Lighting	
<b>Audio System (Optional):</b> .....	Factory Installed BLUEWAVE® Spa Stereo System with an Auxiliary 3.5 mm headphone jack connection and Bluetooth® compatible	
<b>Special Features (Standard):</b> .....	SmartTub® module <b>Export: SmartTub® module (optional)</b>	

\*(See Warranty Document for Specific Details)

\*\*\*(See Important Safety Instructions for Specific Details)

# Sundance Spas 780 Chelsee

## Operation/Seat Depths



- (A)** Air Control - Activates Seat A Jets (2 Vortex) + Seat B Jets (2 SMT Fluidix) + Footwell Jets (2 Adjustable Accu-Pressure)
- (B)** Massage Selector [Pump 1]- Adjusts Massage Level Between Seat C Jets + Footwell Jets (2 Adjustable Accu-Pressure) and Seat F Jets + Footwell Jets (2 Adjustable Accu-Pressure)
- (C)** Air Control - Activates Seat C Jets (4 SMT Micro, 9 Accu-Pressure) + Footwell Jets (2 Adjustable Accu-Pressure)
- (D)** Air Control - Activates Seat D Jet (1 Vortex) + Seat E (2 SMT Micro, 6 SMT Fluidix) + Footwell Jets (2 Adjustable Accu-Pressure)
- (E)** Air Control - Activates Seat F Jets (2 Fluidix Intelli-Jets, 2 Mini-Vortex) + Footwell Jets (2 Adjustable Accu-Pressure)
- (F)** Waterfall Selector [8-Hour Circ. Pump] - Controls Waterfall Output

• Jets Pump 2: Seat A Jets + Seat B Jets + Seat D + Seat E Jets + 4 Footwell Jets are always on when this pump is running

### 41 Total Jets (Stainless Steel Escutcheons Standard)

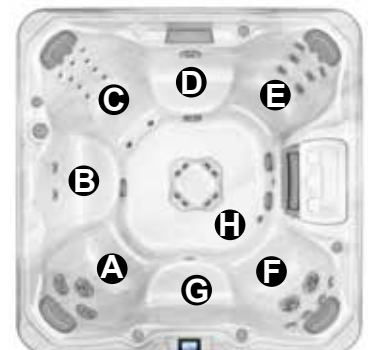


Spa Operation Subject To Change Without Notice

## SEAT DEPTHS

- A = 25.38" (64.47 cm)**
- B = 21.75" (55.25 cm)**
- C = 27.50" (69.85 cm)**
- D = 21.50" (54.61 cm)**
- E = 25.50" (64.77 cm)**
- F = 24.00" (60.96 cm)**
- G = 18.25" (46.36 cm)**
- H = 29.88" (75.88 cm)**

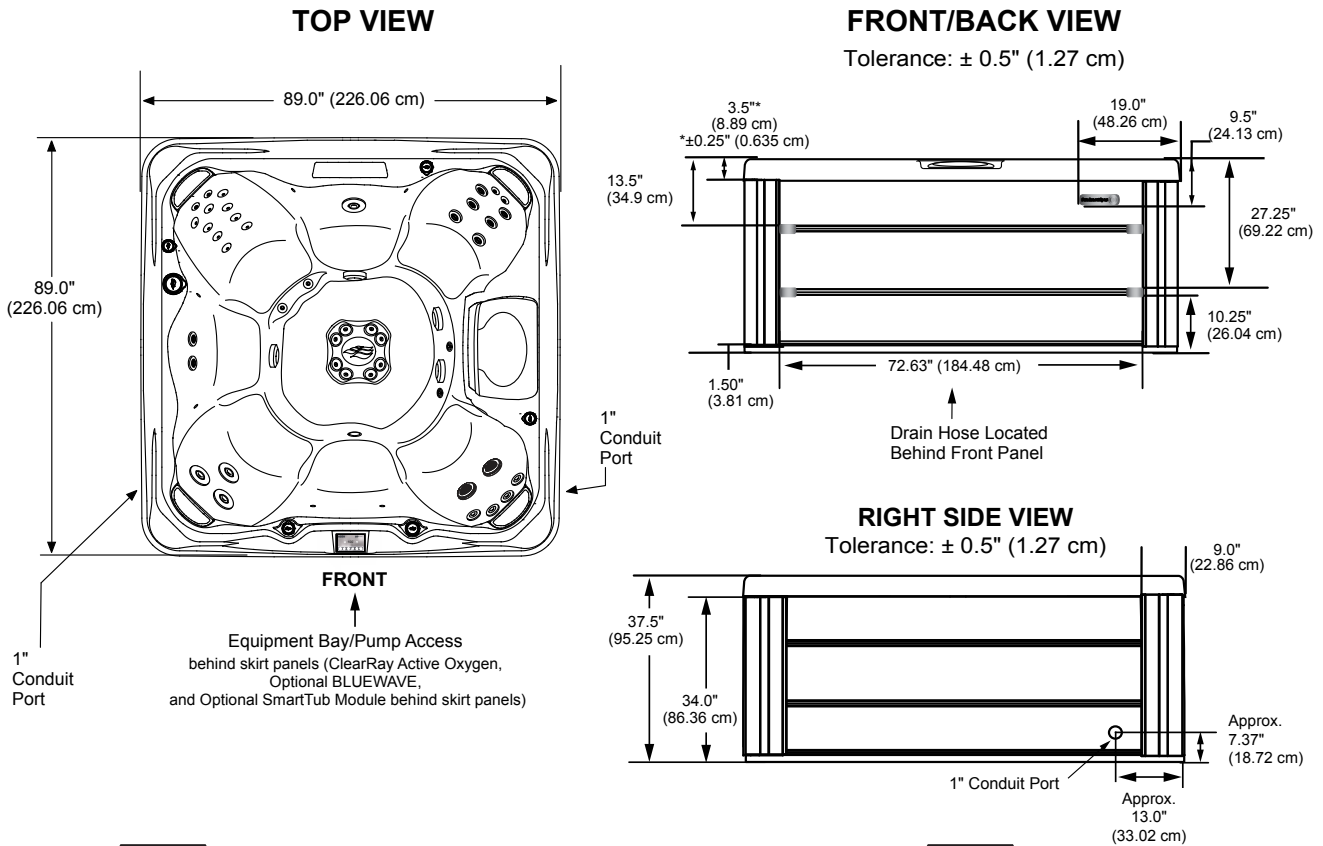
Listed dimensions represent distance from top of acrylic to lowest point in seat. **Tolerance ± 0.5" (1.27 cm).**



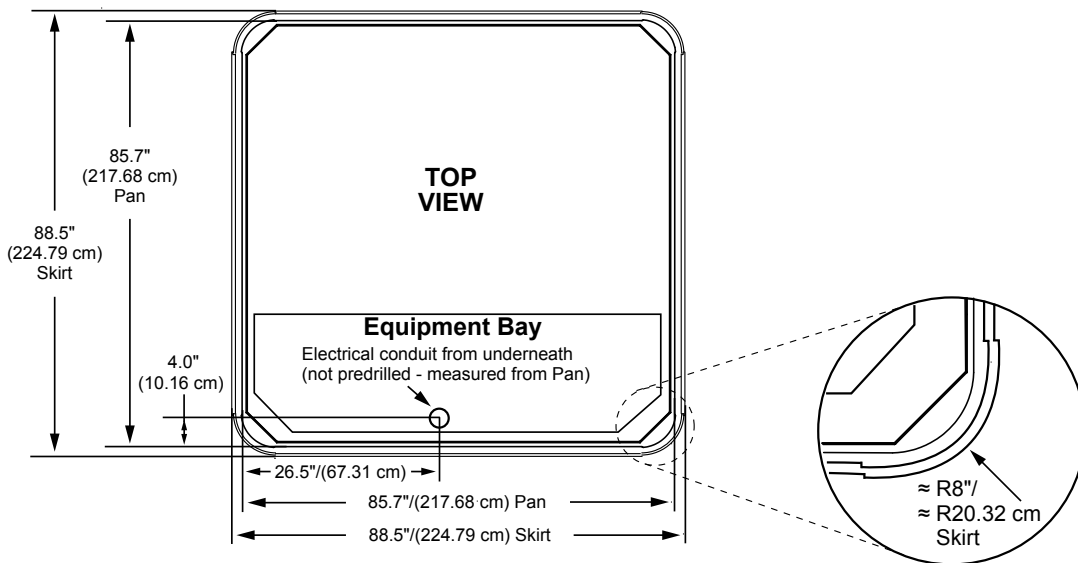
Dimensions/Specifications Subject To Change Without Notice

# Sundance Spas Chelsee

## Portable Dimensions



**IMPORTANT! Always measure each hot tub for exact dimensions BEFORE designing its foundational support and/or decking.**



Dimensions/specifications subject to change without notice. Tolerance:  $\pm 0.5"$  (1.27 cm)

Dimensions/Specifications Subject To Change Without Notice

Denne modellen kan kobles med 1-fas 230V C-sikring (treg) og 3-fas (400 volt TN-nett - se egne linjer)

### 780-serien:

Chelsee: For å få mest mulig glede av badet anbefaler vi høyeste kurs for optimal drift.				
	Type varmeelement	Alternativ tilkobling	Funksjon	Kretskortinnstillinger
Chelsee	5,5 kW	3-fas (400 volt TN-nett) 25 amp	Varmeelement og pumper kan brukes samtidig	Se brukermanual.
Chelsee	5,5 kW	40 amp eller 20 + 25 amp	Varmeelement og pumper kan brukes samtidig	Se brukermanual.
Chelsee	5,5 kW	25 amp	Alle pumper kan brukes samtidig. Varmeelementet slår seg automatisk av når pumpene startes.	Se brukermanual.
Chelsee	2,7 kW	3-fas (400 volt TN-nett) 16 amp	Varmeelement og pumper kan brukes samtidig	Se brukermanual.
Chelsee	2,7 kW	32 amp eller 16 + 20 amp	Varmeelement og pumper kan brukes samtidig	Se brukermanual.
Chelsee	2,7 kW	20 amp	Varmeelementet slår seg automatisk av når pumpene startes.	Se brukermanual.