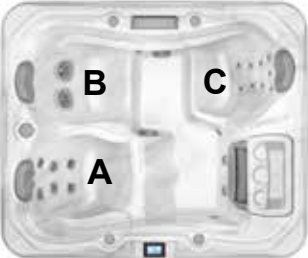


Sundance® Spas 780 Dover™

Specifications

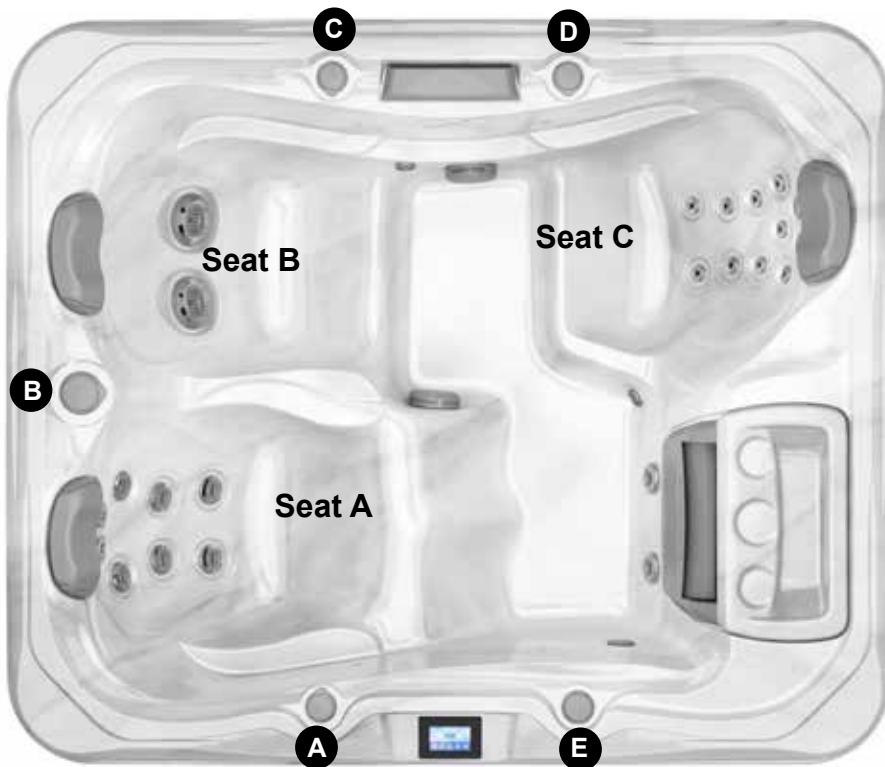
Dimensions:	69" x 82" x 31" (176 cm x 209 cm x 79 cm)	
Seating Capacity:	3 Adults	
Dry Weight:	620 lbs (282 kg)	
Filled Weight (Average Fill)**:	2,497 lbs (1,133 kg)	
Water Capacity (Average Fill):	225 US Gal (852 Liters)	
Controls:	Solid-State Electronic Touchscreen Controls, Programmable Water Temperature, Filtration, and Heat Cycles	
Water Delivery:	1 High-flow pump	
Pump 1:	North America (60 Hz): 2-Speed/1.5 HP Continuous, 13.0A Max., 48 Frame Export (50 Hz): 2-Speed/2.0 HP Continuous, 8.0A max.	
Pump 2:	24-Hour Filter/Circulation Pump	
Total Hydrojets:	23	
Seat A Jets:	2 SMT Micro, 6 SMT Fluidix, 2 Mini Vortex	
Seat B Jets:	2 Fluidix Intelli-Jets	
Seat C Jets:	2 SMT Micro, 9 Accu-Pressure	
Air Controls/Massage Selectors:	3/1 Standard air control LED lights	
Filter:	MicroClean® Ultra II Lite Filtration System, 100 ft² (2 interlocking cartridge filters)	
Water Treatment:	8-Hour Circulation Pump; Factory installed ClearRay Active Oxygen® System Export: ClearRay Active Oxygen® System	
Lighting:	Standard Multicolored LED Light; 4 LED Pin Lights; Indicator light; Air controls and Exterior Lights (4 stainless steel white lights on front cabinet)	
Synthetic Cabinet:	Available in Modern Hardwood, Brushed Gray and Vintage Oak	
Shell Colors:	Platinum, Celestite, Morning Mist, Midnight, Travertine, Monaco (while quantities last)	
Handrails:	N/A	
Headrests:	Three, 1-Piece Gray	
Heater:	North America Convertible Model (60 Hz): Low Flow, 1 kW@120 VAC or Convertible to 4 kW@240 VAC Export (50 Hz): Low flow, 2.7 kW	
Electrical Requirements:	North America Convertible Model (60 Hz): 120 VAC@15A with Supplied GFCI Cord or 240 VAC@30A or 40A (Hard Wired Only); Export (50 Hz): 230-240 VAC@1x16A, 1x25A or 2x16A (see manual for more configurations); or suitably Rated Circuit Breaker to Comply with Local Electrical Regulations. Certain Countries May Require Dual Power Inputs; Two GFCI/RCD Breakers are Required for This Configuration.	
Limited Warranty*:	North America (60 Hz): 10 Years Shell, 7 Years Shell Surface, 5 Years Plumbing Component Leaks, 5 Years Equipment and Controls, 5 Years Cabinet, 2 Years Jets, 2 Years Lights, 1 Year Stereo Export (50 Hz): 10 Years Shell, 7 Years Shell Surface, 5 Years Plumbing Component Leaks, 5 Years Equipment and Controls, 5 Years Cabinet, 2 Years Jets, 2 Years Lights, 2 Years Stereo	
Waterfall Feature:	On/Off Flow Rate on when pump 1 is running; Colored Lighting	
Audio System (Optional):	Factory Installed BLUEWAVE® Spa Stereo System with an Auxiliary 3.5 mm headphone jack connection and Bluetooth® compatible	
Special Features (Standard):	SmartTub® module Export: SmartTub® module (optional)	

*(See Warranty Document for Specific Details)

** (See Important Safety Instructions for Specific Details)

Sundance Spas 780 Dover

Operation/Seat Depths



- (A)** Air Control - Activates Seat A Jets (2 SMT Micro, 6 SMT Fluidix, 2 Mini Vortex)
- (B)** Massage Selector [Pump 1]- Adjusts Massage Level Between Seat A Jets + Seat B Jets and Seat C Jets
- (C)** Air Control - Activates Seat B Jets (2 Fluidix Intelli-Jets)
- (D)** Air Control - Activates Seat C Jets (2 SMT Micro, 9 Accu-Pressure)
- (E)** Waterfall Selector [Pump 1] - Controls Waterfall Output

23 Total Jets (Stainless Steel Escutcheons Standard)



Spa Operation Subject To Change Without Notice

SEAT DEPTHS

- A = 24.50" (62.23 cm)**
- B = 26.63" (67.63 cm)**
- C = 25.75" (65.41 cm)**
- D = 26.50" (67.31 cm)**

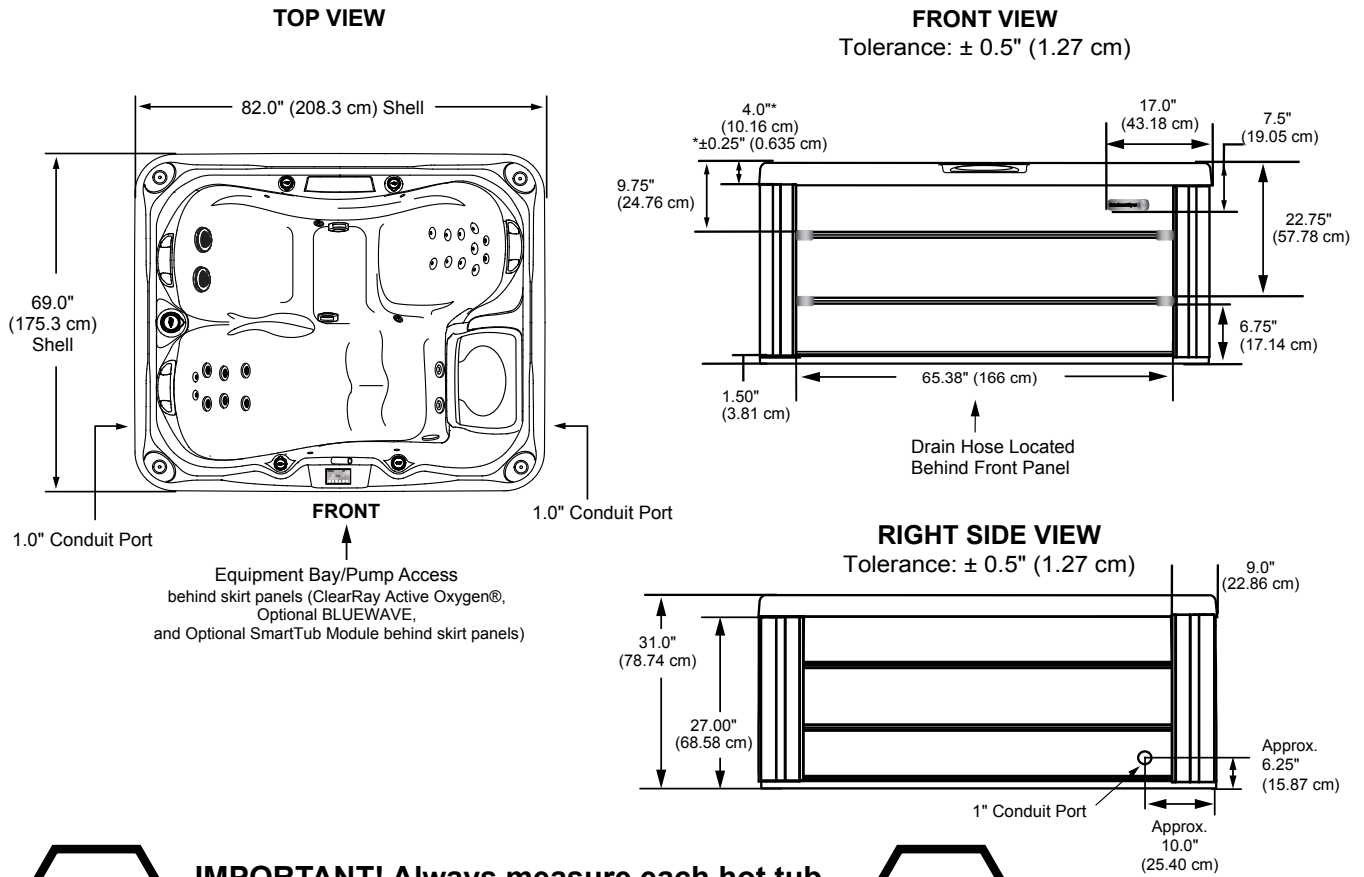
Listed dimensions represent distance from top of acrylic to lowest point in seat. **Tolerance ± 0.5" (1.27 cm).**



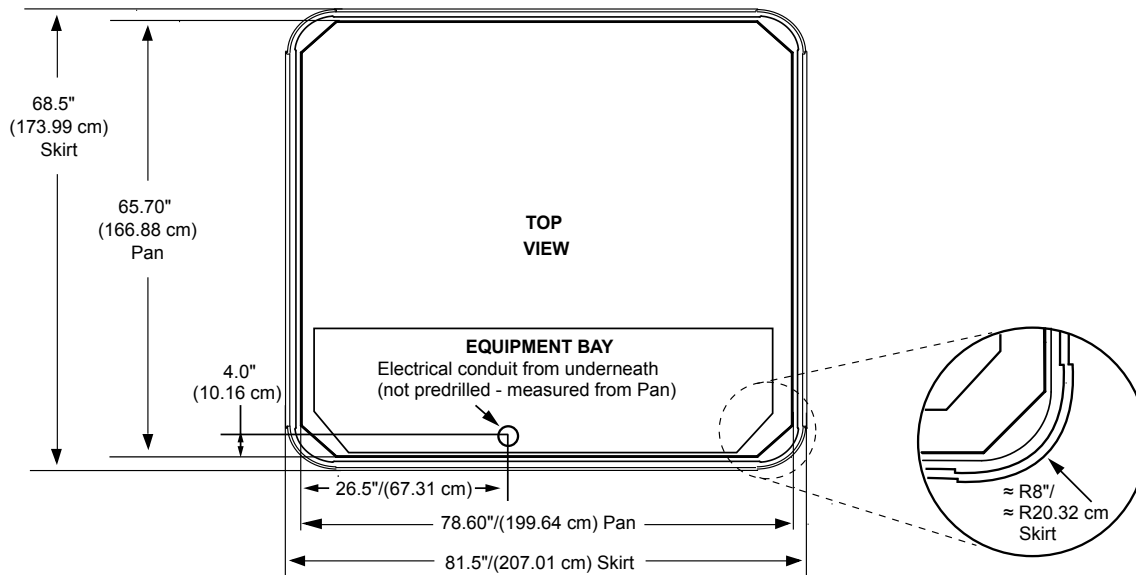
Dimensions/Specifications Subject To Change Without Notice

Sundance Spas 780 Dover

Portable Dimensions



IMPORTANT! Always measure each hot tub for exact dimensions BEFORE designing its foundational support and/or decking.



Dimensions/specifications subject to change without notice. Tolerance: $\pm 0.5"$ (1.27 cm)

Dimensions/Specifications Subject To Change Without Notice

Denne modellen kan kobles med 1-fas 230V C-sikring (treg)

780-serien:

Dover: For å få mest mulig glede av badet anbefaler vi høyeste kurs for optimal drift.				
	Type varmeelement	Alternativ tilkobling	Funksjon	Kretskortinnstillinger
Dover	5,5 kW	40 amp eller 16 + 25 amp	Varmeelement og pumpe kan brukes samtidig	Se brukermanual.
Dover	5,5 kW	25 amp	Varmeelementet slår seg automatisk av når pumpen startes	Se brukermanual.
Dover	2,7 kW	25 amp eller 16 amp + 16 amp	Varmeelement og pumpe kan brukes samtidig	Se brukermanual.
Dover	2,7 kW	16 amp	Varmeelementet slår seg automatisk av når pumpen startes	Se brukermanual.
Dover			Obs. Kan ikke kobles til 400 volt TN-nett	