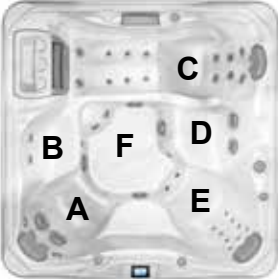


# Sundance® Spas 780™ Hamilton™

## Specifications

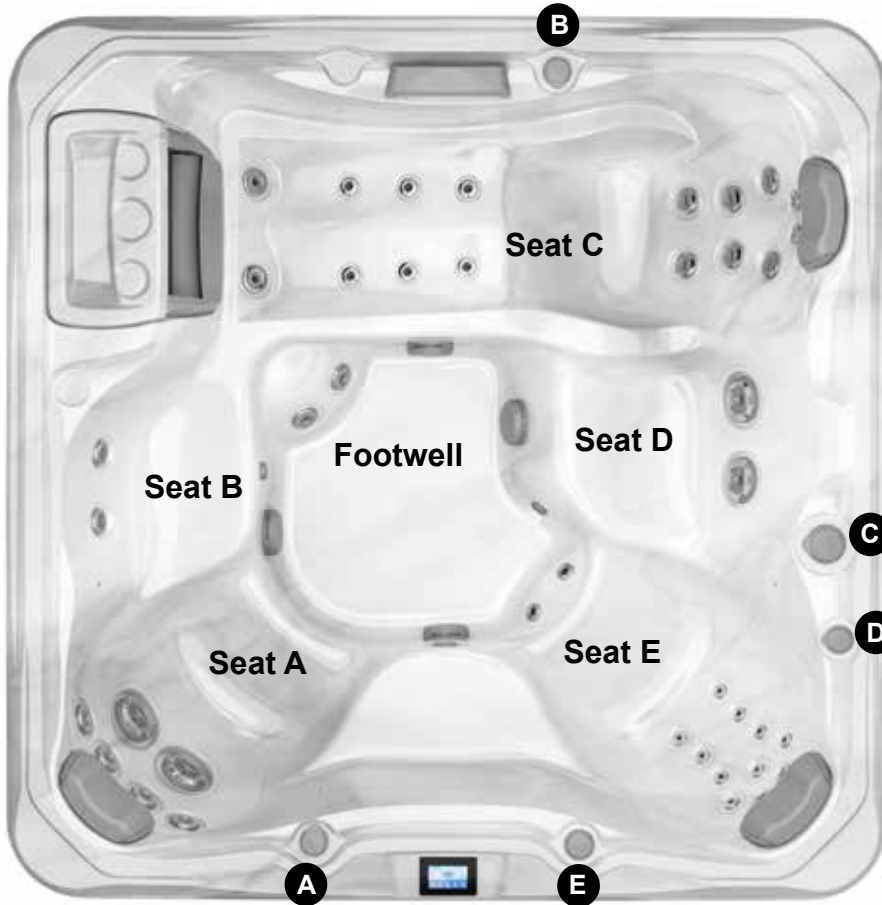
<b>Dimensions:</b> .....	89" x 89" x 37.5" (226 cm x 226 cm x 96 cm)	
<b>Seating Capacity:</b> .....	5-6 Adults	
<b>Dry Weight:</b> .....	826 lbs (375 kg)	
<b>Filled Weight (Average Fill)**:</b> .....	3,912 lbs (1,775 kg)	
<b>Water Capacity (Average Fill):</b> .....	370 US Gal. (1,401 Liters)	
<b>Controls:</b> .....	Solid-State Electronic Touchscreen Controls, Programmable Water Temperature, Filtration, and Heat Cycles	
<b>Water Delivery:</b> .....	2 High Flow Pumps	
<b>Pump 1:</b> .....	North America (60 Hz): 1-Speed/2.5 HP Continuous, 12.0A Max. <b>Export (50 Hz): 1-Speed/2.0 HP Continuous, 8.0A Max.</b>	
<b>Pump 2:</b> .....	North America (60 Hz): 1-Speed/2.5 HP Continuous, 11.0A Max. <b>Export (50 Hz): 1-Speed/2.0 HP Continuous, 7.0A Max</b>	
<b>Pump 3:</b> .....	24 Hour Programmable Circ Pump, 8 Hour Factory Default	
<b>Total Hydrojets:</b> .....	<b>41</b>	
<b>Seat A Jets:</b> .....	4 Mini Vortex, 2 Fluidix Intelli-Jets	
<b>Seat B Jets:</b> .....	2 SMT Fluidix	
<b>Seat C Jets:</b> .....	2 SMT Micro, 2 Mini Vortex, 6 SMT Fluidix, 6 Adjustable Accu-Pressure	
<b>Seat D Jets:</b> .....	2 Vortex	
<b>Seat E Jets:</b> .....	9 Accu-Pressure, 4 SMT Micro	
<b>Footwell Jet (F):</b> .....	2 Mini Vortex	
<b>Air Controls/Massage Selectors:</b> .....	3/1 Standard air control with LED lights	
<b>Filter:</b> .....	MicroClean® Ultra II Lite Filtration System, 100 ft² (2 interlocking cartridge filters)	
<b>Water Treatment:</b> .....	8-Hour Circulation Pump; Factory installed ClearRay Active Oxygen® System <b>Export: ClearRay Active Oxygen® System</b>	
<b>Lighting:</b> .....	Standard Multi-Colored LED Light; 6 LED Pin lights; Indicator light; Air controls and Exterior Lights (4 stainless steel white lights on front cabinet)	
<b>Synthetic Cabinet:</b> .....	Available in Modern Hardwood, Brushed Gray and Vintage Oak	
<b>Shell Colors:</b> .....	Platinum, Celestite, Morning Mist, Midnight, Travertine, Monaco (while quantities last)	
<b>Handrails:</b> .....	N/A	
<b>Headrests:</b> .....	Three, 1-Piece Gray	
<b>Heater:</b> .....	North America (60 Hz): 5.5 kW, High Flow <b>Export (50 Hz): High Flow, 2.7 kW</b>	
<b>Electrical Requirements:</b> .....	North America (60 Hz): 240 VAC@40A, 50A, or 60A; <b>Export (50 Hz): 230-240 VAC@1x32A, 1x16A/1x20A, or 3x16A (see manual for more configurations); or Suitably Rated Circuit Breaker to Comply with Local Electrical Regulations. Certain Countries May Require 2 Power Inputs; Two GFCI/RCD Breakers are Required for This Configuration.</b>	
<b>Limited Warranty*:</b> .....	North America (60 Hz): 10 Years Shell, 7 Years Shell Surface, 5 Years for Plumbing Component Leaks, 5 Years Equipment and Controls, 5 Years Cabinet, 2 Years Jets, 2 Years Lights, 1 Year Stereo <b>Export (50 Hz): 10 Years Shell, 7 Years Shell Surface, 5 Years Plumbing, 5 Years Equipment and Controls, 5 Years Cabinet, 2 Years Jets, 2 Years Lights, 2 Years Stereo</b>	
<b>Waterfall Feature:</b> .....	On/Off Flow Rate; Colored Lighting	
<b>Audio System (Optional):</b> .....	Factory Installed BLUEWAVE® Spa Stereo System with an Auxiliary 3.5 mm headphone jack connection and Bluetooth® compatible	
<b>Special Features (Standard):</b> .....	SmartTub® module <b>Export: SmartTub® module (optional)</b>	

\*(See Warranty Document for Specific Details)

\*\*\*(See Important Safety Instructions for Specific Details)

# Sundance Spas 780 Hamilton

## Operation/Seat Depths



**(A)** Air Control - Activates Seat A Jets (2 Fluidix Intelli-Jets, 4 Vortex Mini) + Seat B Jet (2 SMT Fluidix) + Seat D (2 Vortex) + Footwell Jets (2 Vortex Mini)

**(B)** Air Control - Activates Seat C Jets (2 SMT Micro, 2 Vortex Mini, 6 SMT Fluidix, 6 Adjustable Accu-Pressure)

**(C)** Massage Selector [Pump 1]- Adjusts Massage Level Between Seat C Jets and Seat E Jets

**(D)** Air Control - Activates Seat E Jets (2 SMT Micro, 9 Accu-Pressure)

**(E)** Waterfall Selector [8-Hour Circ. Pump] - Controls Waterfall Output

• Jets Pump 2: Seat A Jets + Seat B Jets + Seat D Jets + Footwell Jets are always on when this pump is running

### 41 Total Jets (Stainless Steel Escutcheons Standard)



Spa Operation Subject To Change Without Notice

## SEAT DEPTHS

**A = 27.50" (69.85 cm)**

**B = 20.50" (52.07 cm)**

**C = 25.63" (65.10 cm)**

**D = 22.75" (57.79 cm)**

**E = 27.25" (69.22 cm)**

**F = 18.25" (46.36 cm)**

**G = 32.50" (82.55 cm)**

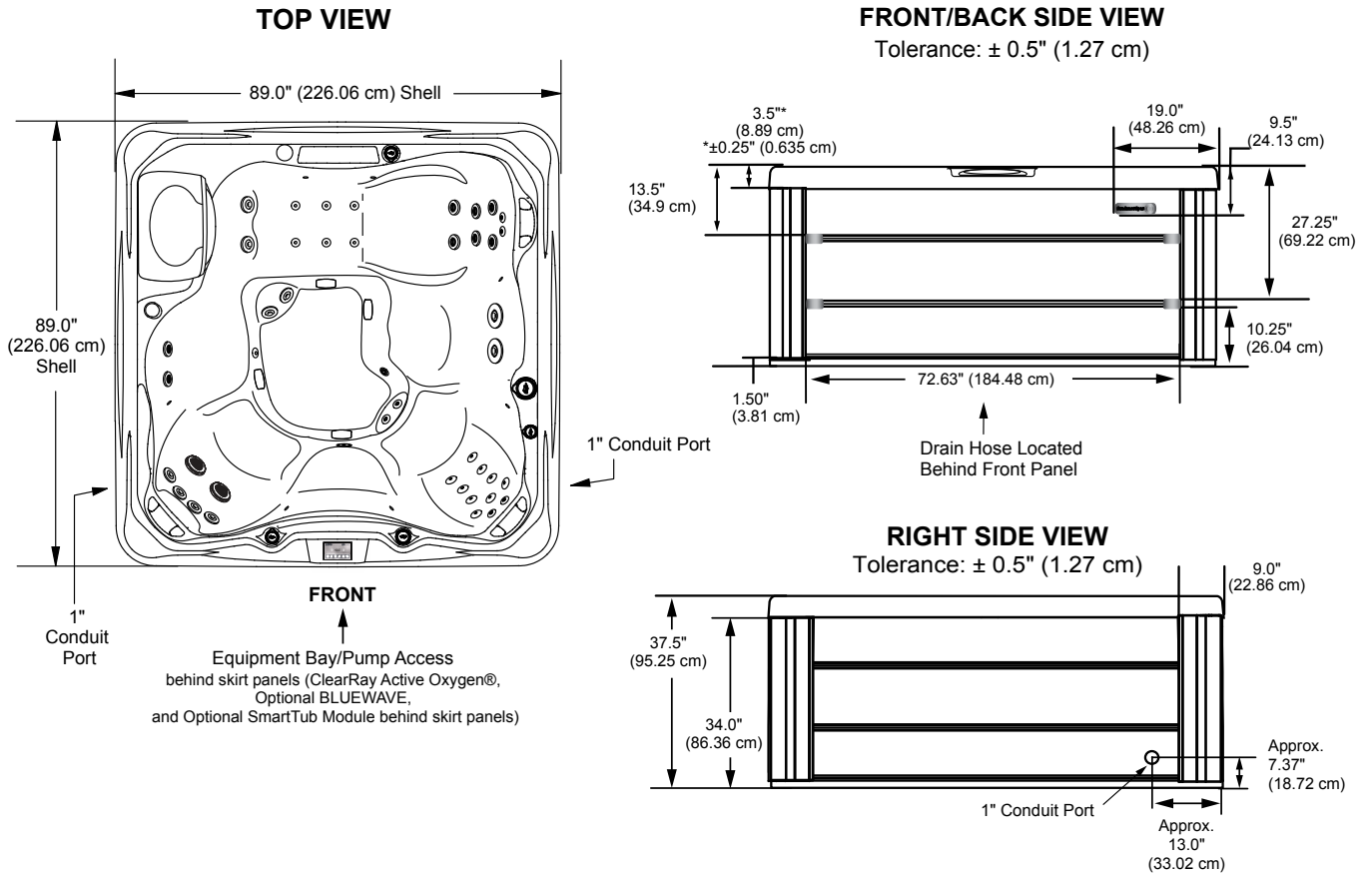
Listed dimensions represent distance from top of acrylic to lowest point in seat. Tolerance  $\pm 0.5"$  (1.27 cm).



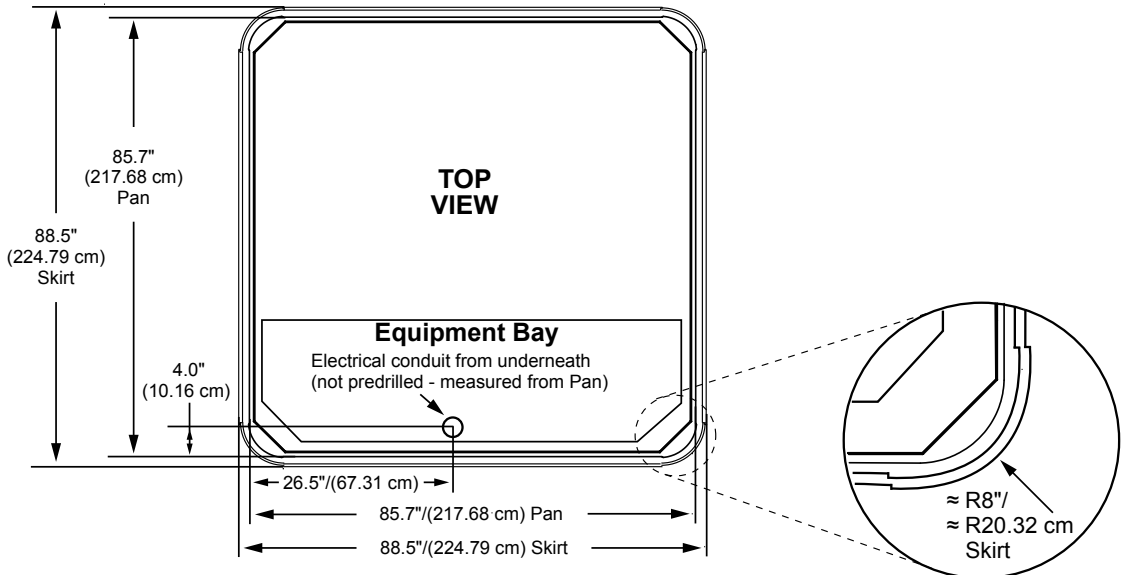
Dimensions/Specifications Subject To Change Without Notice

# Sundance Spas 780 Hamilton

## Portable Dimensions



**STOP** **IMPORTANT! Always measure each hot tub for exact dimensions BEFORE designing its foundational support and/or decking.** **STOP**



Dimensions/specifications subject to change without notice. Tolerance: ± 0.5" (1.27 cm)

Dimensions/Specifications Subject To Change Without Notice

Denne modellen kan kobles med 1-fas 230V C-sikring (treg) og 3-fas (400 volt TN-nett - se egne linjer)

### 780-serien:

Hamilton: For å få mest mulig glede av badet anbefaler vi høyeste kurs for optimal drift.				
	Type varmeelement	Alternativ tilkobling	Funksjon	Kretskortinnstillinger
Hamilton	5,5 kW	3-fas (400 volt TN-nett) 25 amp	Varmeelement og pumper kan brukes samtidig	Se brukermanual.
Hamilton	5,5 kW	40 amp eller 20 + 25 amp	Varmeelement og pumper kan brukes samtidig	Se brukermanual.
Hamilton	5,5 kW	25 amp	Alle pumper kan brukes samtidig. Varmeelementet slår seg automatisk av når pumpene startes.	Se brukermanual.
Hamilton	2,7 kW	3-fas (400 volt TN-nett) 16 amp	Varmeelement og pumper kan brukes samtidig	Se brukermanual.
Hamilton	2,7 kW	32 amp eller 16 + 20 amp	Varmeelement og pumper kan brukes samtidig	Se brukermanual.
Hamilton	2,7 kW	20 amp	Varmeelementet slår seg automatisk av når pumpene startes.	Se brukermanual.